

NEW FEATURES FRAME 1 - 5

- New digital input and an analogue output terminals.
- A side entry plug-in communication/clone socket added.



AC10 series

HA502319U100 Issue 5
Product Manual

aerospace
climate control
electromechanical
filtration
fluid & gas handling
hydraulics
pneumatics
process control
sealing & shielding



ENGINEERING **YOUR** SUCCESS.

AC10 Series Variable Speed Drive Safety & Quickstart Booklet

HA 502319U100_05

Contents:

Chapter 1 English	1-1	Chapter 6 Español	6-1
SAFETY INFORMATION	1-1	INFORMACIÓN DE SEGURIDAD	6-1
QUICKSTART	1-3	INICIO RÁPIDO	6-3
COMPLIANCE	1-9	CUMPLIMIENTO	6-8
Chapter 2 Deutsch	2-1	Chapter 7 Svenska	7-1
SICHERHEITS INFORMATIONEN	2-1	SÄKERHETSINFORMATION.....	7-1
SCHNELLSTARTANLEITUNG.....	2-3	SNABBSTART	7-3
KONFORMITÄT	2-7	INSTALLATIONSKRAV	7-8
Chapter 3 Français	3-1	Chapter 8 Türkçe	8-1
Informations de Sécurité.....	3-1	GÜVENLİK BİLGİSİ.....	8-1
DÉMARRAGE RAPIDE.....	3-3	HIZLI BAŞLANGIÇ.....	8-3
CONFORMITÉ	3-7	Ürün Kodu	8-4
Chapter 4 Italiano	4-1	Ürün Çeşitleri	8-5
INFORMAZIONI SULLA SICUREZZA	4-1	UYUMLULUK	8-9
GUIDA RAPIDA	4-3	Chapter 9 中文	9-1
CONFORMITÀ	4-8	安全须知.....	9-1
Chapter 5 Polski	5-1	快速入门.....	9-3
INFORMACJE DOTYCZĄCE BEZPIECZEŃSTWA.....	5-1	变频器认证.....	9-9
INSTRUKCJA SZYBKIEGO URUCHOMIENIA	5-3	Chapter 10 Dimensions for Installations	10-1
KOMPATYBILNOŚĆ.....	5-8	Chapter 11 Applications	11-1

Chapter 1 English

SAFETY INFORMATION

FAILURE OR IMPROPER SELECTION OR IMPROPER USE OF THE PRODUCTS DESCRIBED HEREIN OR RELATED ITEMS CAN CAUSE DEATH, PERSONAL INJURY AND PROPERTY DAMAGE.

This document and other information from Parker-Hannifin Corporation, its subsidiaries and authorized distributors provide product or system options for further investigation by users having technical expertise.

The user, through its own analysis and testing, is solely responsible for making the final selection of the system and components and assuring that all performance, endurance, maintenance, safety and warning requirements of the application are met. The user must analyze all aspects of the application, follow applicable industry standards, and follow the information concerning the product in the current product catalogue and in any other materials provided from Parker or its subsidiaries or authorized distributors.

To the extent that Parker or its subsidiaries or authorized distributors provide component or system options based upon data or specifications provided by the user, the user is responsible for determining that such data and specifications are suitable and sufficient for all applications and reasonably foreseeable uses of the components or systems.

Requirements

IMPORTANT: Please read this information **BEFORE** installing the equipment.

WARNING – Operation of this equipment requires detailed installation and operation instructions provided in the Installation/Operation manual intended for use with this product. This information is provided on the CD ROM, floppy diskette(s), or other storage device included in the container this device was packaged in. It should be retained with this device at all times. A hard copy of this information may be ordered from the supplier indicated on the product label.

Intended Users

This leaflet is to be made available to all persons who are required to install, configure or service equipment described herein, or any other associated operation.

The information given is intended to highlight safety issues, EMC considerations, and to enable the user to obtain maximum benefit from the equipment.

Application Area

The equipment described is intended for industrial motor speed control utilising, AC induction motors or AC synchronous machines.

Personnel

Installation, operation and maintenance of the equipment should be carried out by competent personnel. A competent person is someone who is technically qualified and familiar with all safety information and established safety practices; with the installation process, operation and maintenance of this equipment; and with all the hazards involved.

Product Warnings

	DANGER Risk of electric shock		Attention – hot surfaces		Caution Refer to documentation		Earth/Ground Protective Conductor Terminal
--	---	---	--------------------------	---	-----------------------------------	---	--

Hazards

DANGER! - Ignoring the following may result in injury

1. This equipment can endanger life by exposure to rotating machinery and high voltages.
2. The equipment must be permanently earthed due to the high earth leakage current, and the drive motor must be connected to an appropriate safety earth.
3. Ensure all incoming supplies are isolated before working on the equipment. Be aware that there may be more than one supply connection to the drive.
4. There may still be dangerous voltages present at power terminals (motor output, supply input phases, DC bus and the brake, where fitted) when the motor is at standstill or is stopped.
5. For measurements use only a meter to IEC 61010 (CAT III or higher). Always begin using the highest range. CAT I and CAT II meters must not be used on this product.
6. Allow at least 5 minutes (20 minutes for above 30kW) for the drive's capacitors to discharge to safe voltage levels (<50V). Use the specified meter capable of measuring up to 1000V dc & ac rms to confirm that less than 50V is present between all power terminals and earth.
7. Unless otherwise stated, this product must NOT be dismantled. In the event of a fault the drive must be returned. Refer to "Routine Maintenance and Repair".
8. **WARNING** – The opening of the branch-circuit protective device may be an indication that a fault current has been interrupted. To reduce the risk of fire or electric shock, current-carrying parts and other components of the controller should be examined and replaced if damaged.

WARNING! - Ignoring the following may result in injury or damage to equipment

SAFETY

Where there is conflict between EMC and Safety requirements, personnel safety shall always take precedence.

- Never perform high voltage resistance checks on the wiring without first disconnecting the drive from the circuit being tested.
- Whilst ensuring ventilation is sufficient, provide guarding and /or additional safety systems to prevent injury or damage to equipment.
- All control and signal terminals are SELV, i.e. protected by double insulation. Ensure all external wiring is rated for the highest system voltage.
- All exposed metalwork in the Inverter is protected by basic insulation and bonded to a safety earth.
- When replacing a drive in an application and before returning to use, it is essential that all user defined parameters for the product's operation are correctly installed.
- Thermal sensors contained within the motor must have at least basic insulation.
- RCDs are not recommended for use with this product but, where their use is mandatory, only Type B RCDs should be used.
- The AC10 series is not a safety component or safety related product.

EMC

- In a domestic environment this product may cause radio interference in which case supplementary mitigation measures may be required.
- This equipment contains electrostatic discharge (ESD) sensitive parts. Observe static control precautions when handling, installing and servicing this product.
- This is a product of the restricted sales distribution class according to IEC 61800-3. It is designated as "professional equipment" as defined in EN61000-3-2. Permission of the supply authority shall be obtained before connection to the low voltage supply.

WARNING! – Control Unit Removal / Fitting

Isolate supply before plugging or unplugging control unit to the power stack.

CAUTION!

APPLICATION RISK

- The specifications, processes and circuitry described herein are for guidance only and may need to be adapted to the user's specific application. We can not guarantee the suitability of the equipment described in this Manual for individual applications.

RISK ASSESSMENT

Under fault conditions, power loss or unintended operating conditions, the drive may not operate as intended.

In particular:

- Stored energy might not discharge to safe levels as quickly as suggested, and can still be present even though the drive appears to be switched off
- The motor's direction of rotation might not be controlled
- The motor speed might not be controlled
- The motor might be energised

A drive is a component within a drive system that may influence its operation or effects under a fault condition. Consideration must be given to:

- Stored energy
- Supply disconnects
- Sequencing logic

QUICKSTART

BEFORE YOU START

This document covers the steps necessary for a basic start up of the AC10 drive. Drive start ups should be performed by competent electrical technicians who are familiar with AC drives and their applications. For detailed installation, safety and applications refer to the Product Manual.

Ensure that all local electric codes are met while installing the drive. Check that all live parts are covered to protect against electric shock and that unexpected rotation of the motor will not result in bodily harm or injury.

This document expects that the drive is already installed in its intended location and that all relevant installation procedures have been followed.

About this QuickStart

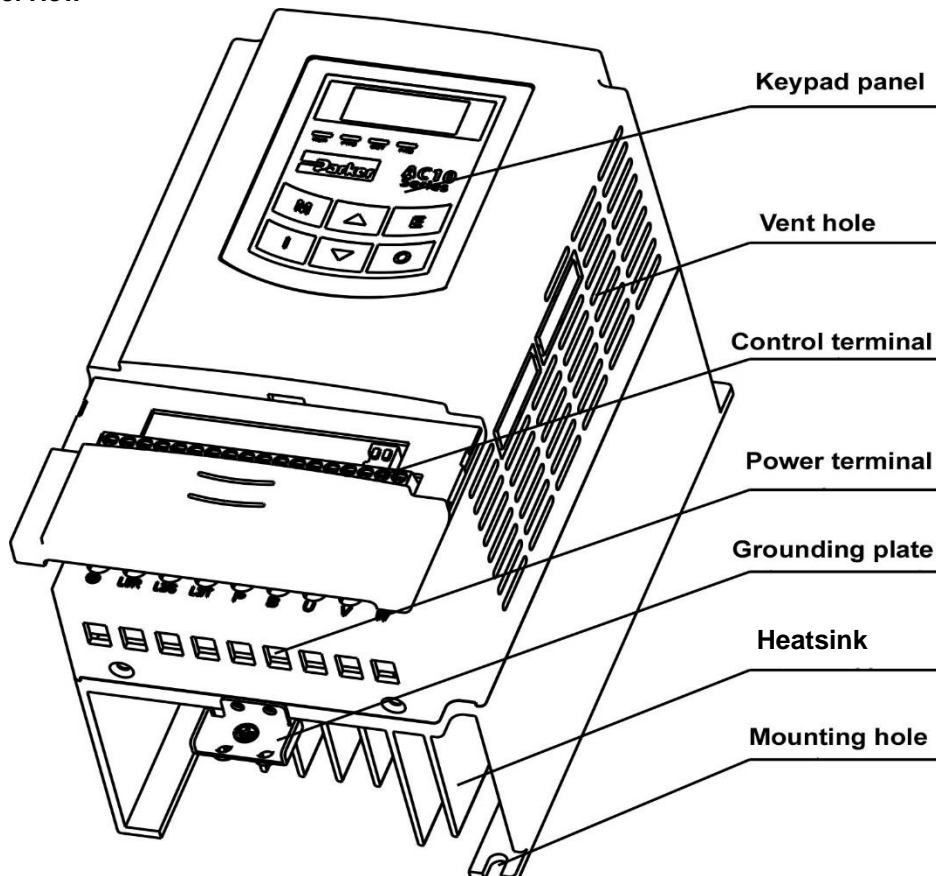
This QuickStart will:

- Familiarise you with the terminals and operation of the unit.
- Provide basic installation details and a quick set-up procedure.
- Show you how to Autotune the drive and start the motor.

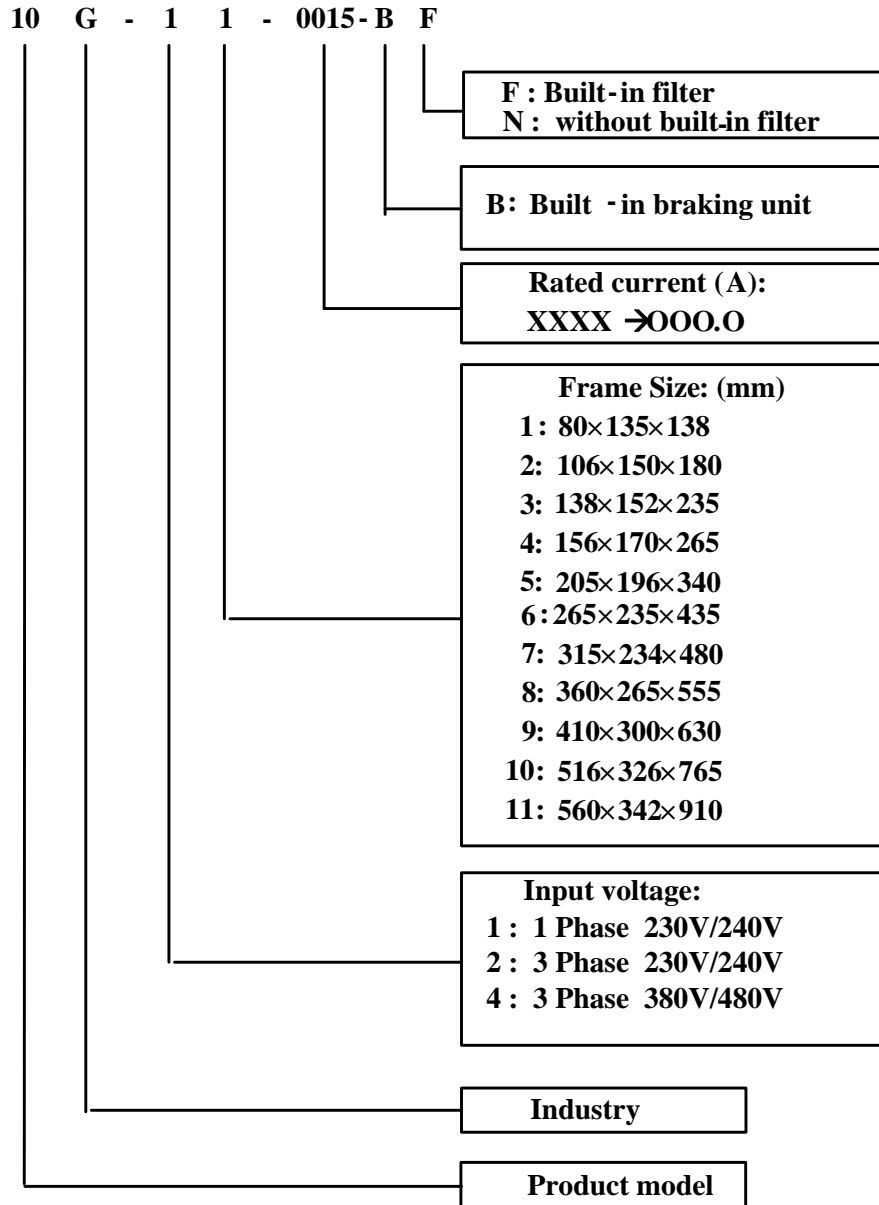
This QuickStart assumes that:

- You are a competent technician with experience of installing this type of equipment.
- You are familiar with the relevant standards and Local Electric Codes (which take precedence).
- You have read and understood the Safety Information provided at the front of this QuickStart.
- You realise that this guide contains only basic information and that you may need to refer to the AC10 Product Manual to complete your installation.

Product Overview



Product Code



Product Range

Supply	Part number	Frame Size	kW	Input current (A)			Output Current (A)	Input protection current
				230V	380V/400V	460V/480V		
1Ph 230V	10G-11-0015-XX	1	0.2	4			1.5	6.0
	10G-11-0025-XX	1	0.37	5.8			2.5	10.0
	10G-11-0035-XX	1	0.55	7.6			3.5	14.0
	10G-11-0045-XX	1	0.75	10			4.5	18.1
	10G-12-0050-XX	2	1.1	10.8			5	24.5
	10G-12-0070-XX	2	1.5	14			7	25.2
	10G-12-0100-XX	2	2.2	20			10	32.0
3Ph 230V	10G-31-0015-XX	1	0.2	2.5			1.5	5.0
	10G-31-0025-XX	1	0.37	3.5			2.5	8.2
	10G-31-0035-XX	1	0.55	4.5			3.5	10.0
	10G-31-0045-XX	1	0.75	5.4			4.5	11.5
	10G-32-0050-XX	2	1.1	5.8			5	18.0
	10G-32-0070-XX	2	1.5	7.8			7	18.2
	10G-32-0100-XX	2	2.2	11			10	21.5
	10G-33-0170-XX	3	4	18.5			17	28
	10G-34-0210-XX	4	5.5	22			21	33
	10G-35-0300-XX	5	7.5	31			30	47
	10G-35-0400-XX	5	11	41			40	62
	10G-36-0550-XX	6	15	57			55	86
3Ph 400V	10G-41-0006-XX	1	0.2		1.1	0.8	0.6	2.5
	10G-41-0010-XX	1	0.37		1.5	1.2	1	5.0
	10G-41-0015-XX	1	0.55		2.1	1.8	1.5	5.5
	10G-42-0020-XX	2	0.75		3	2.1	2	6.5
	10G-42-0030-XX	2	1.1		4	3.2	3	10.2
	10G-42-0040-XX	2	1.5		5	4.2	4	11.0
	10G-42-0065-XX	2	2.2		7.5	7.0	6.5	15.0
	10G-43-0080-XX	3	3.7		10.5	8.3	8	18.0
	10G-43-0090-XX	3	4		11	9.2	9	21.0
	10G-43-0120-XX	3	5.5		14	11.5	12	29.0
	10G-44-0170-XX	4	7.5		18.5	16	17	34.0
	10G-44-0230-XX	4	11		24	21	23	46.5
	10G-45-0320-XX	5	15		36.5	27	32	80.0
	10G-45-0380-XX	5	18.5		44	31	38	90
	10G-45-0440-XX	5	22		51	35	44	100
	10G-46-0600-XX	6	30		70	53	60	110
	10G-47-0750-XX	7	37		80	64	75	120
	10G-47-0900-XX	7	45		94	75	90	150
	10G-48-1100-XX	8	55		120	85	110	180
	10G-48-1500-XX	8	75		160	115	150	240
10G-49-1800-XX	9	90		190	130	180	285	
10G-49-2200-XX	9	110		225	170	220	340	
10G-410-2650-XX	10	132		275	210	265	400	
10G-411-3200-XX	11	160		330	250	320	500	
10G-411-3600-XX	11	180		370	280	360	550	

Drive Start-up

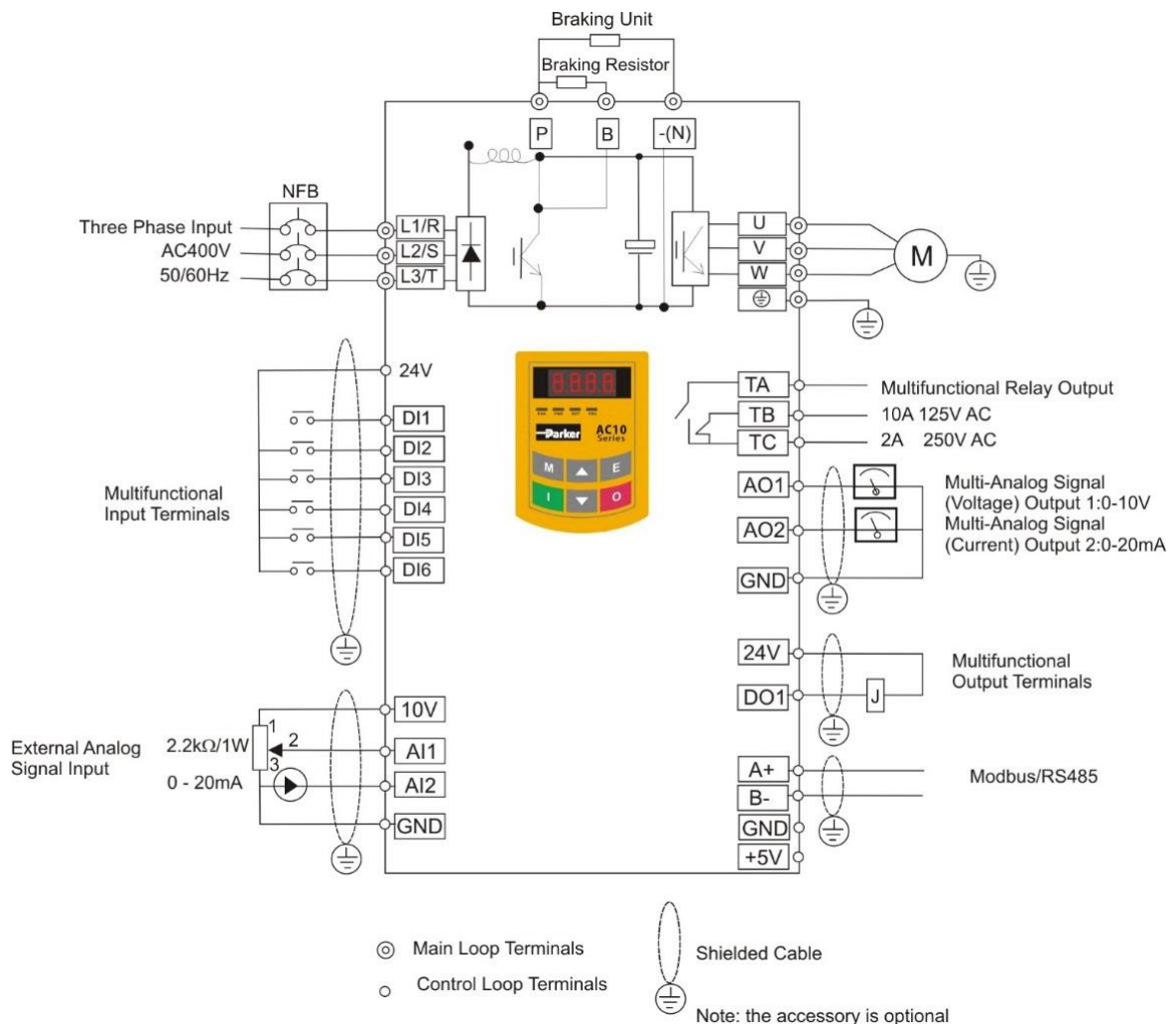
- Read the Safety section at the front of the QuickStart.
- Ensure that all local electric codes are met.
- Check for damage to equipment.
- Check for loose ends, clippings, filings, drilling swarf etc. lodged in the drive and system.
- Check all external wiring circuits of the system - power, control, motor and earth connections.
- Ensure that unexpected rotation of the motor in either direction will not result in damage, bodily harm or injury. Disconnect the load from the motor shaft, if possible.
- Check external run contacts are open. Check external speed setpoints are all at zero.
- Ensure that nobody is working on another part of the system which will be affected by powering up.
- Ensure that other equipment will not be adversely affected by powering up.
- Check motor stator connections are correctly wired for Star or Delta as necessary for drive output voltage.

Drive Setup

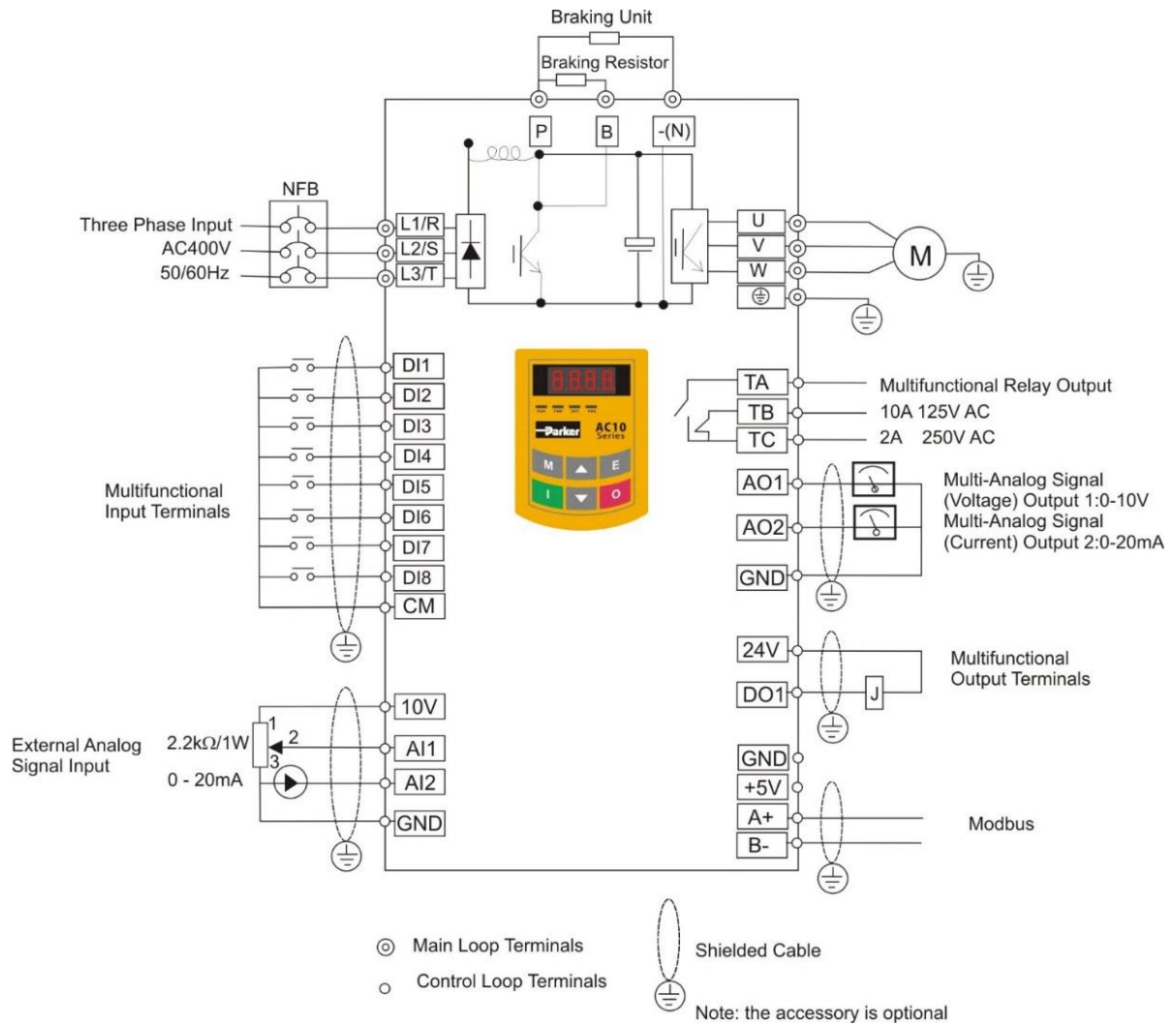
Before attempting to set up the drive, you will need some motor information. This is found on the motor nameplate. The information you will need is listed below:

Base Volts, Base frequency
 Base RPM
 Full load amps
 No load amps (mag current)
 Connection (star or delta)

Basic Connections



0.2kW – 22kW Basic Wiring Diagram for Multi-stage speed control macro (PNP type)



30kW – 180kW Basic Wiring Diagram for Three-phase AC drives (NPN type)

Keypad

LED shows running frequency, flashing target frequency, function code, parameter value or fault code.

“DIGIT” (DGT) 4 LEDs indicate working status. RUN while running. FWD running forward and FRQ when the MMI is showing frequency.

Press “M” for function code, and “E” for original parameters. ▲ and ▼ keys can be used to select function codes and parameters. Press “E” again to confirm. In the mode of keypad control, ▲ and ▼ keys can also be used for dynamic speed control. “I” and “O” keys control start and stop. Press “O” key to reset inverter in fault status.

- Press “M” key to display function code
- Press “Up” or “Down” to select required function code
- Press E to read data set in the function code
- Press “Up” or “Down” to modify data
- Press M to show corresponding target frequency by flashing after saving the set data
- Press E to display the current function code

Set-Up Instructions

- Select the application mode. See Chapter 9 for the application description.
 - Press (M) until F100 is shown on the display
 - Press (O) until only the FWD LED is illuminated (X O X X)
 - Press (UP) to access parameter block F2xx
 - Press (O) until both the FWD and DGT LEDs are illuminated (X O O X)
 - Press (UP) until display shows F228
 - Press (E) to edit the application number
 - Use the (UP) and (DOWN) keys to select the application
 - Press (E) to confirm your selection

F228	Application selection	0: Invalid 1: Basic speed control 2: Auto/manual control 3: Stage speed control 4: Terminal control; 5: PID control;
------	-----------------------	---

Application is set as default, this allows access to all parameters please see the full manual for description on all operations.

For application connection drawings please see the end of this quick start guide.

- Set the Motor Parameters

F801	Rated power (kW)	Setting range: 0.75~1000	
F802	Rated voltage (V)	Setting range: 1~440	
F803	Rated current (A)	Setting range: 0.1~6500	
F804	Number of motor poles	Setting range: 2~100	4
F805	Rated rotary speed	Setting range: 1~30000	
F810	Motor rated frequency	Setting range: 1.0~590.0	50.00

- Select control mode

The AC10 inverter has three control modes: sensorless vector control (F106=0), VVVF control (F106=2) and vector control 1 (F106=3). Under VVVF control mode, the AC10 inverter has four kinds of torque compensation modes: Linear compensation (F137=0); Square compensation (F137=1); User-defined multipoint compensation (F137=2); Auto torque compensation (F137=3)

- Set the limits

F111	Max Frequency (Hz)	Setting range: F113~590.0	Mfr's value: 50.00
F112	Min Frequency (Hz)	Setting range: 0.00~F113	Mfr's value: 0.50

- Set the ramp rates

F114	First Acceleration Time (S)	Setting range: 0.1~3000	Mfr's value: subject to inverter model
F115	First Deceleration Time (S)		
F116	Second Acceleration Time (S)		
F117	Second Deceleration Time (S)		

- Set the I/O control mode

The channel for inverter to receive control commands (including start, stop and jogging, etc) contains 5 modes: 0. Keypad control; 1. Terminal control; 2. Keypad + terminal control 3. Modbus control; 4. Keypad + terminal +Modbus. The modes of control command can be selected through the function codes F200 and F201.

F200	Source of start command	0: Keypad command; 1: Terminal command; 2: Keypad + Terminal; 3: MODBUS; 4: Keypad + Terminal + MODBUS
F201	Source of stop command	0: Keypad command; 1: Terminal command; 2: Keypad + Terminal; 3: MODBUS; 4: Keypad + Terminal + MODBUS

For terminal control please check the selector switched for the analogue inputs.

F203=2, channel AI2 is selected			F203=1, channel AI1 is selected	
SW1 coding switch			S1 toggle switch	
Coding Switch 1	Coding Switch 2	Analog Input AI2 signal	+	-
OFF	OFF	0~5V voltage	0~10V voltage	-10~+10V voltage
OFF	ON	0~10V voltage		
ON	ON	0~20mA current		

Also check the NPN, PNP selector switches for the digital inputs.

- Test run the inverter
Test run the inverter from the keypad or the terminal control, checking all conditions are safe.
- For advanced functions see the product manual.
- To reset all parameters to default values set F160 to = 1.

COMPLIANCE

A comprehensive guide to product compliance is available in the AC10 Product Manual.

Warning – Where there is a conflict between EMC and safety requirements personnel safety shall always take precedence.

Operation of this equipment requires detailed installation and operation instructions provided in the product manual intended for use on this product. This information is provided on the cd rom included in the container this product was packaged in. It should be retained with the product at all times.

Caution: This is a product of the restricted sales distribution class according to IEC 61800-3. It is designated as “professional equipment” as defined in EN61000-3. Permission of the supply authority shall be obtained before connection to the low voltage supply.

In a domestic environment this product may cause radio interference in which case supplementary mitigation measures may be required.

This equipment contains electrostatic discharge (ESD) sensitive parts. Observe static control precautions when handling, installing and servicing this product.

EMC Emissions

Radiated Emissions comply with EN61800-3 category C1, C2 and C3 when installed in accordance with instructions.

Conducted Emissions comply with EN61800-3 category C3 external filter.

Immunity complies with the requirement of EN61800-3, for equipment intended for use in the second environment.

Planning Cable Runs

Use the shortest possible motor cable lengths.

Use a single length of cable to a star junction point to feed multiple motors.

Keep electrically noisy and sensitive cables apart. If this is not possible parallel cable runs should be separated by at least 0.25metres, for runs longer than 10 meters, separation should be increased proportionally.

Sensitive cables should cross noisy cables at 90° angle.

Never run sensitive cables close or parallel to the motor, dc link and braking chopper circuit for any distance.

Never run supply, dc link or motor cables in the same bundle as the signal/control and feedback cables, even if they are screened.

Ensure EMC filter input and output cables are separately routed and do not couple across the filter.

Chapter 2 Deutsch

SICHERHEITS INFORMATIONEN

FEHLERHAFTHEIT ODER UNSACHGEMÄSSE AUSWAHL bzw. VERWENDUNG DER HIER BESCHRIEBENEN PRODUKTE KANN ZU TOD, VERLETZUNGEN ODER SACHSCHADEN FÜHREN.

- Dieses Dokument und andere Informationen von der Parker-Hannifin Corporation, seinen Tochtergesellschaften und Vertragshändlern enthalten Produkt- oder Systemoptionen zur weiteren Verwendung durch Anwender mit technischen Kenntnissen.
- Der Anwender ist durch eigene Untersuchung und Prüfung allein dafür verantwortlich, die endgültige Auswahl des Systems und der Komponenten zu treffen und sich zu vergewissern, dass alle Leistungs-, Dauerfestigkeits-, Wartungs-, Sicherheits- und Warnanforderungen der Anwendung erfüllt werden. Der Anwender muss alle Aspekte der Anwendung genau untersuchen, geltenden Industrienormen folgen und die Informationen in Bezug auf das Produkt im aktuellen Produktkatalog sowie alle anderen Unterlagen, die von Parker oder seinen Tochtergesellschaften oder Vertragshändlern bereitgestellt werden, zu beachten.
- Soweit Parker oder seine Tochtergesellschaften oder Vertragshändler Komponenten oder Systemoptionen basierend auf technischen Daten oder Spezifikationen liefern, die vom Anwender beigestellt wurden, ist der Anwender dafür verantwortlich festzustellen, dass diese technischen Daten und Spezifikationen für alle Anwendungen und vernünftigerweise vorhersehbaren Verwendungszwecke der Komponenten oder Systeme geeignet sind und ausreichen.

Allgemeines

WICHTIG: Bitte lesen Sie die folgenden Informationen, BEVOR Sie mit der Installation des Geräts beginnen.

Diese Anleitung sollte allen Personen zugänglich sein, die den beschriebenen Antrieb installieren, konfigurieren, oder andere mit dem Antrieb zusammenhängende Tätigkeiten durchführen.

Die folgenden Informationen enthalten Sicherheitsaspekte und EMV Betrachtungen, die es dem Anwender ermöglichen, den größtmöglichen Nutzen aus dem Antrieb zu erzielen.

– Der Umgang mit dem in diesem Lieferumfang enthaltenen Gerät, erfordert spezifische Kenntnisse. Diese können der Installations- / Bedienungsanleitung des Gerätes entnommen werden. Diese Informationen befinden sich auf CD ROM, Diskette oder auf anderen Speichermedien, und sind ebenfalls in diesem Lieferumfang enthalten. Die Installations- / Bedienungsanleitung sollte jedem Nutzer des Gerätes zugänglich gemacht werden.

Einsatzgebiet

Das beschriebene Gerät dient zur Drehzahlreglung von industriellen, AC- Asynchron oder AC-Synchronmotoren.

Personal

Die Installation, Bedienung und Instandhaltung des Gerätes sollte nur von einem Fachmann durchgeführt werden, der technisch kompetent und mit allen Sicherheitsvorschriften und lokalen Bestimmungen vertraut ist.

Produkt Warnhinweise

	Achtung: heiße Oberflächen		VORSICHT Schockgefahr		Achtung Dokumentation beachten		Erdung Schutzleiterklemme
---	-----------------------------------	---	---------------------------------	---	--	---	-------------------------------------

Gefahr! – Missachtung der folgenden Anweisungen kann zu Schäden führen

- | | |
|--|---|
| <ol style="list-style-type: none"> Bestimmte Teile des Antriebs stehen unter gefährlichen Spannungen. Bei Berührung dieser Teile oder auch rotierender Maschinenteile besteht die Gefahr von Tod, schweren gesundheitlichen oder materiellen Schäden. Das Gerät muss permanent geerdet sein. Der Motor muss an einem angemessenen Schutzleiter angeschlossen sein. Sämtliche Signal- und Steuerklemmen sind durch doppelte Isolierung geschützt (Schutzkleinspannung). Stellen Sie sicher, dass sämtliche Leitungen für die maximal mögliche Spannung ausgelegt sind. Es können gefährliche Spannungen an den Leistungsklemmen (Einspeisung, Motorabgang, DC | <p>Zwischenkreis und der Bremse, sofern eingebaut) anliegen, auch wenn der Motor stillsteht oder gestoppt hat.</p> <ol style="list-style-type: none"> Benutzen Sie zu Messzwecken nur Messgeräte nach IEC 61010 (Kat. III oder höher) und beginnen Sie die Messungen immer im höchsten Messbereich. Warten Sie 5 Minuten bis sich die Zwischenkreiskondensatoren auf ein sicheres Level entladen haben (<50V). Benutzen Sie Messleitungen, die bis 1000V DC & AC effektiv spezifiziert sind, um sicherzustellen, dass eine ungefährliche Spannung <50V zwischen allen Leistungsklemmen und Erde anliegt. |
|--|---|

6. Ein Öffnen oder Zerlegen des Antriebs ist aus Sicherheits- und Gewährleistungsgründen nicht zulässig. Im Fehlerfall muss das Gerät zur Überprüfung und gegebenenfalls zur Reparatur eingeschickt werden.
7. **WARNUNG** – Das Auslösen der Gerätesicherung kann auf einen Fehlerstrom, bedingt durch einen

Gerätefehler, hinweisen. Um das Risiko von Verletzungen oder Sachschäden durch z. B. Brand oder Stromschlag zu minimieren, prüfen Sie, ob spannungsführende Teile oder andere Komponenten des Gerätes beschädigt sind. Im Falle einer Beschädigung, müssen diese Teile fachgerecht ausgetauscht werden.

WARNUNG! – Missachtung der folgenden Anweisungen kann Verletzungen verursachen oder zu Beschädigungen am Gerät führen.

SICHERHEIT

Bei einem Konflikt zwischen EMV- und Sicherheitsbestimmungen, haben die personenbezogenen Sicherheitsbestimmungen immer Vorrang.

- Führen Sie niemals Hochspannungs-Festigkeitsüberprüfungen an der Verdrahtung durch, ohne vorher überprüft zu haben, dass der Antrieb spannungslos und vom Stromkreis sicher getrennt ist.
- Vergewissern Sie sich, dass die Belüftung ausreichend ist und installieren Sie zusätzliche Sicherheitssysteme, um Beschädigungen des Geräts vorzubeugen.
- Beim Austauschen eines Antriebs in einer Applikation ist darauf zu achten, dass vor dem Einschalten alle anwendungs-spezifischen Parameter korrekt installiert wurden.
- Alle Steuer- und Signalanschlussklemmen sind sicherheitskleinspannungsfest, durch doppelte Isolation geschützt. Stellen Sie sicher, dass alle externen Leitungen für die höchste Systemspannung ausgelegt sind.
- Im Motor vorhandene Temperatursensoren müssen mindestens basisisoliert sein.
- Alle berührbaren metallischen Teile des Geräts sind durch eine Basisisolierung und Anschluss an einen Schutzleiter abgesichert.
- Der Einsatz von FI-Schutzschaltern wird nicht empfohlen. Ist ihre Verwendung dennoch vorgeschrieben, verwenden Sie FI-Schalter Typ B (EN61009).
- Die AC10-Serie ist kein Sicherheitsbauteil oder sicherheitsrelevantes Produkt.

EMV

- Im Betrieb kann dieses Gerät EMV- STÖRUNGEN hervorrufen, gegen die der Betreiber gegebenenfalls die erforderlichen Gegenmaßnahmen treffen muss.
- Das Gerät enthält Bauteile, die für elektrostatische Entladung anfällig sind. Treffen Sie entsprechende Schutzmaßnahmen, wenn Sie das Gerät installieren, bedienen und warten.
- Das Produkt ist für den professionellen Einsatz gemäß EN61000-3-2 bestimmt. Sofern vorgeschrieben, muss eine Betriebserlaubnis vom Netzbetreiber vorliegen, bevor das Gerät an das örtliche Niederspannungsnetz angeschlossen werden kann.

WARNUNG! – Aus- und Einbauen des Steuergerätes

Trennen Sie das Gerät vom Netz, ehe Sie das Steuergerät vom Leistungsteil abziehen oder in diesen einstecken.

ACHTUNG!

ANWENDUNGSRISIKO

- Die Spezifikationen, Beispiele und Schaltungen, wie sie in diesem Handbuch beschrieben sind, dienen nur als Richtlinie und bedürfen gegebenenfalls einer kundenspezifischen Anpassung. Das Anpassen an anwenderspezifische Anlagen oder Systeme liegt außerhalb des Verantwortungsbereichs von Parker Hannifin.

RISIKOBEURTEILUNG

Bei Störungen, Netzspannungsausfall, Gerätefehlern oder sonstigen unbeabsichtigten Betriebsbedingungen besteht die Möglichkeit, dass das Gerät nicht spezifikationsgemäß funktioniert. Im Einzelnen bedeutet dies:

- die im Gerät gespeicherte Energie ist nicht abgebaut worden und es können noch gefährliche Spannungen anliegen, auch wenn das Gerät ausgeschaltet ist.
- die Motordrehrichtung lässt sich nicht steuern
- die Motordrehzahl kann nicht geregelt werden
- der Motor steht unter Spannung

Ein Umrichter/Stromrichter ist eine Komponente in einem System, die im Fehlerfall die Funktion der Anlage beeinflussen kann. Auf folgendes ist besonders zu achten:

- ungewolltes Schalten
- gespeicherte Energie im Antrieb
- unkontrolliertes Drehen
- Ablauflogik im System

SCHNELLSTARTANLEITUNG

ERSTE SCHRITTE

In diesem Dokument werden die Schritte beschrieben, die Sie zur Vorbereitung der Inbetriebnahme des AC10-Antriebs durchführen müssen. Die Inbetriebnahme des Antriebs sollte von qualifizierten Elektrotechnikern vorgenommen werden, die mit AC-Antrieben und deren Anwendungen vertraut sind. Ausführliche Informationen zu Aufstellung, Sicherheit und Anwendungen finden Sie im AC10 Produkthandbuch.

Bei der Installation des Antriebs müssen alle geltenden örtlichen elektrischen Vorschriften beachtet werden. Vergewissern Sie sich, dass alle unter Spannung stehenden Bauteile zum Schutz vor elektrischen Schlägen abgedeckt sind und dass eine unerwartete Rotation des Motors keine Körperverletzungen verursachen kann.

In diesem Dokument wird davon ausgegangen, dass der Antrieb bereits am Einsatzort installiert wurde und alle relevanten Installationsprozeduren abgeschlossen sind.

Zu dieser Schnellstartanleitung

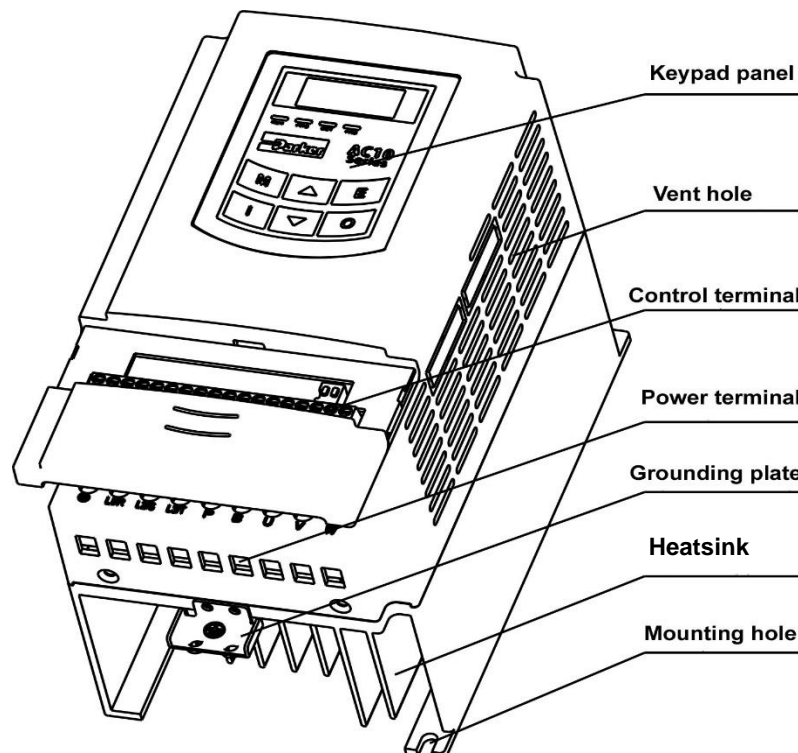
Diese Schnellstartanleitung:

- Macht Sie mit den Anschlüssen der Bedienung des Gerätes vertraut.
- Enthält ***grundlegende** Informationen zur Installation und eine Anleitung zur Schnelleinrichtung.
- Zeigt, wie der Selbstabgleich (Autotune) des Antriebs durchgeführt und der Motor gestartet wird.

Diese Schnellstartanleitung setzt Folgendes voraus:

- Sie sind ein qualifizierter Techniker mit Erfahrung in der Installation von Geräten dieser Art.
- Sie sind mit den einschlägigen Normen und den über diese hinaus zu beachtenden lokalen Vorschriften für Elektroinstallationen vertraut.
- Sie haben die Sicherheitsinformationen auf der Vorderseite dieser Schnellstartanleitung gelesen und verstanden.
- Sie wissen, dass diese Anleitung nur grundlegende Informationen enthält und Sie zum Abschluss der Installation möglicherweise das AC10 Produkthandbuch heranziehen müssen.

Produktübersicht



Produkt-Code - Siehe Seite 1-4

Produktpalette - Siehe Seite 1-5

Inbetriebnahme des Antriebs

- Lesen Sie die Sicherheitsanweisungen auf der Vorderseite der Schnellstartanleitung.
- Stellen Sie sicher, dass alle örtlichen elektrischen Vorschriften beachtet werden.
- Prüfen Sie das Gerät auf Beschädigungen.
- Prüfen Sie das Gerät auf lose Enden, Verschnitt, Schleif- und Bohrspäne usw. im Antrieb und im System.
- Prüfen Sie alle externen Stromkreise des Systems: Stromversorgungs-, Steuerungs-, Motor- und Erdungsverbindungen
- Stellen Sie sicher, dass durch die Rotation des Motors in beide Richtungen keine Schäden oder Verletzungen entstehen können. Trennen Sie wenn möglich die Last von der Motorwelle.
- Stellen Sie sicher, dass die externen Laufkontakte offen sind. Stellen Sie sicher, dass alle externen Drehzahlsollwerte Null sind.
- Stellen Sie sicher, dass niemand an einem anderen Teil des Systems arbeitet, auf das sich das Einschalten auswirkt.
- Stellen Sie sicher, dass das Einschalten keine negativen Auswirkungen auf andere Geräte hat.
- Überprüfen Sie, ob die Motorstator-Anschlüsse entsprechend den Erfordernissen für die Ausgangsspannung des Antriebs korrekt für Stern- oder Dreiecksschaltung verkabelt sind.

Motordaten

Für die Konfiguration des Antriebs werden die Motordaten benötigt. Diese finden Sie auf dem Typenschild des Motors. Sie benötigen die im Folgenden aufgeführten Informationen:

Base Volts (Basisspannung)

Base frequency (Basisfrequenz)

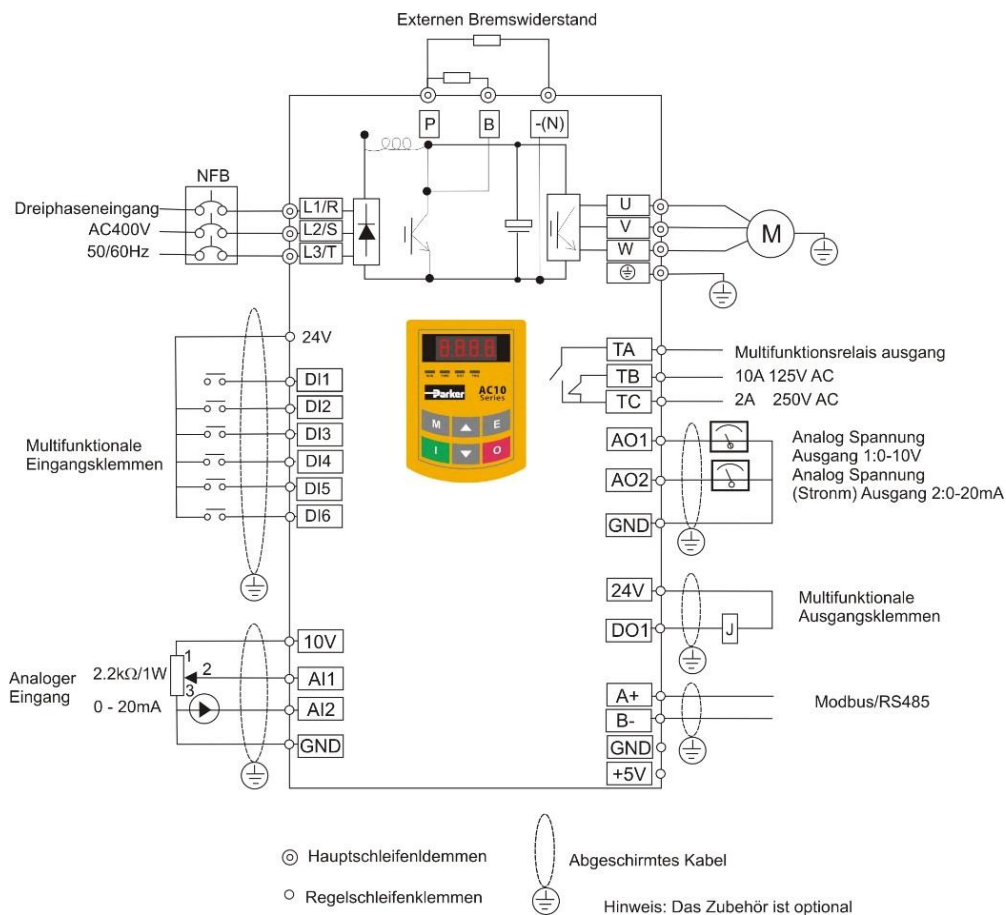
Base RPM (Basisdrehzahl)

Full load amps (Volllaststrom)

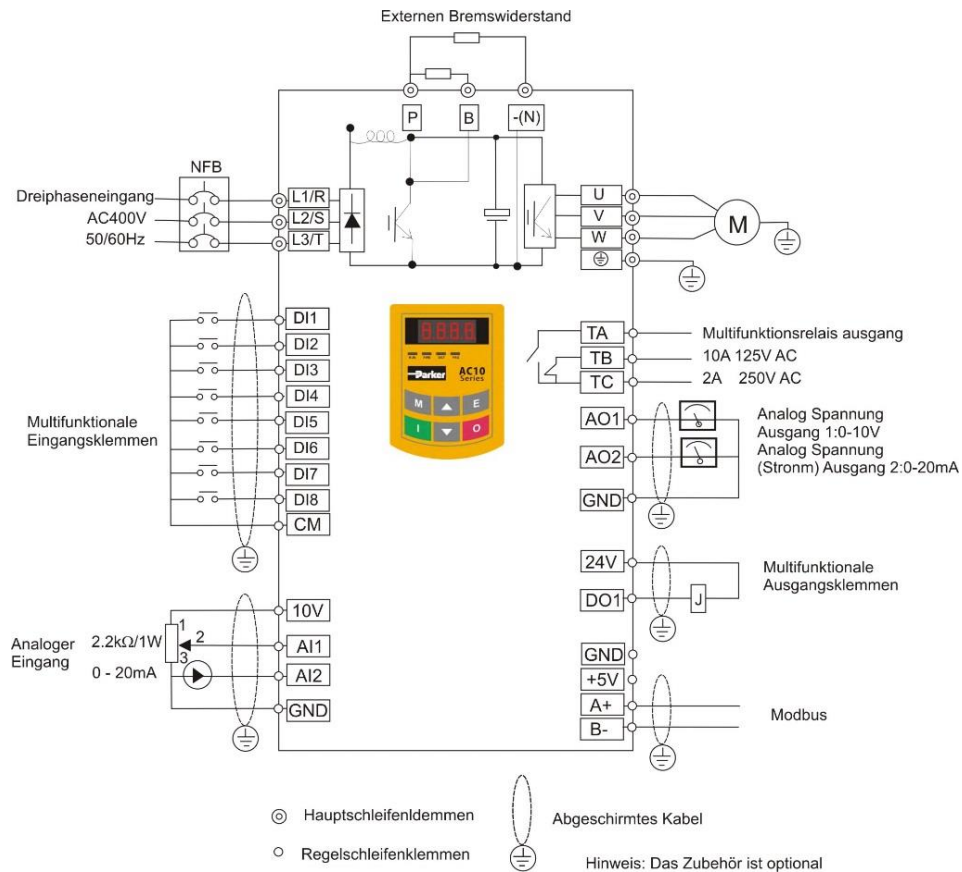
No load amps (mag current) (Nulllaststrom)

Anschluss (Stern- oder Dreiecksschaltung)

Grundlegende Verbindungen



0.2kW – 22kW Basic Wiring Diagram for Multi-stage speed control macro (PNP type)



30kW – 180kW Basic Wiring Diagram for Three-phase AC drives (NPN type)

Keypad



LED zeigt Lauffrequenz, blinkende Zielfrequenz, Funktionscode, Parameterwert oder Fehlercode.

„DIGIT“ (DGT) 4 LEDs zeigen Betriebsstatus. RUN beim Laufen. FWD läuft vorwärts und FRQ wenn die MMI zeigt Frequenz.

Drücken Sie "M" für Funktionscode, und "E" für die ursprünglichen Parameter. ▲ und ▼ Tasten können verwendet werden, um die Funktionscodes und Parameter wählen. Drücken Sie "E" wieder zu bestätigen. Im Modus Tastatursteuerung, ▲ und ▼ Tasten können auch für dynamische Drehzahlregelung eingesetzt werden. "I" und Tasten "O" steuern starten und stoppen. Drücken Sie auf "O", um Wechselrichter im Fehlerzustand zurückgesetzt.

- Drücken Sie die "M"-Taste, um den Funktionscode angezeigt
- Drücken Sie die "Up" oder "Down"-Funktion erforderlich Code wählen
- Drücken Sie E, um Daten in der Funktionscode zu lesen
- Drücken Sie die "Up" oder "Down", um Daten zu ändern
- Drücken Sie M, um zu zeigen, entsprechende Zielfrequenz durch Blinken nach dem Speichern der eingestellten Daten
- Drücken Sie E, um den aktuellen Funktionscode angezeigt

Set-Up Anweisungen

- Wählen Sie den Anwendungsmodus. Siehe Abschnitt 9 für die Anwendungsbeschreibung.
 - (M) drücken, bis F100 auf dem Display
 - Drücken Sie (O), bis nur noch der FWD-LED leuchtet (XOXX)
 - Press (UP) für den Zugriff auf Parameter-Block F2xx
 - Drücken Sie (O) bis beide LEDs FWD und DGT beleuchtet werden (XOOX)
 - Press (UP), bis die Anzeige F228
 - Drücken Sie (E), um die Anwendung Nummer bearbeiten
 - Verwenden Sie den (UP) und (DOWN) Tasten, um die Anwendung auszuwählen
 - Drücken Sie (E) die Auswahl zu bestätigen

F228	Application selection	0: Invalid 1: Basic speed control 2: auto/manual control 3: Stage speed control 4: Terminal control; 5: PID control;
------	-----------------------	---

Anwendung wird als Standard festgelegt, ermöglicht diese den Zugriff auf alle Paramater finden Sie die vollständige Bedienungsanleitung für die Beschreibung aller Operationen.

Für Anwendungsverbindung Zeichnungen finden Sie am Ende dieser Kurzanleitung.

- Stellen Sie den Motor Paramaters

F801	Rated power (kW)	Setting range: 0.75~1000	
F802	Rated voltage (V)	Setting range: 1~440	
F803	Rated current (A)	Setting range: 0.1~6500	
F804	Number of motor poles	Setting range: 2~100	4
F805	Rated rotary speed (rpm/min)	Setting range: 1~30000	
F810	Motor rated frequency (Hz)	Setting range: 1.0~590.0	50.00

- Wählen Sie Steuermodus

Die AC10-Wechselrichter verfügt über drei Betriebsarten: sensorlose Vektorregelung (F106 = 0), Umrichter-Steuerung (F106 = 2) und Vektorregelung ein (F106 = 3). Unter VVVF Steuermodus hat theAC10 Wechselrichter vier Arten von Drehmomentausgleich Arten: Lineare Kompensation (F137 = 0); Platz Kompensation (F137 = 1); Benutzerdefinierte Mehrvergütung (F137 = 2), Auto Drehmomentausgleich (F137 = 3)

- Stellen Sie die Grenzen

F111	Max Frequency (Hz)	Setting range: F113~590.0	Mfr's value: 50.00
F112	Min Frequency (Hz)	Setting range: 0.00~F113	Mfr's value: 0.50

- Stellen Sie die Rampenraten

F114	First Acceleration Time (S)	Setting range: 0.1~3000	Mfr's value: subject to inverter model
F115	First Deceleration Time (S)		
F116	Second Acceleration Time (S)		
F117	Second Deceleration Time (S)		

- Stellen Sie den I / O-Steuerungsmodus

Der Kanal für die Wechselrichter-Steuerbefehle (einschliesslich Start-, Stopp-und Jogging, etc.) erhalten enthält 5 Modi: 0. Tastatursteuerung; ein. Klemmensteuerung; 2. Tastatur + Terminal-Steuerung 3. Modbus Kontrolle; 4. Tastatur + Klemme + Modbus. Die Modi der Steuerbefehl kann über die Funktionscodes F200 und F201 ausgewählt werden.

F200	Source of start command	0: Keypad command; 1: Terminal command; 2: Keypad + Terminal; 3:MODBUS; 4: Keypad + Terminal + MODBUS
F201	Source of stop command	0: Keypad command; 1: Terminal command; 2: Keypad + Terminal; 3:MODBUS; 4: Keypad + Terminal + MODBUS

Für Terminal-Steuer überprüfen Sie bitte die Wahl für die analogen Eingänge switched.

F203 = 2, Kanal AI2 ist ausgewählt			F203 = 1, Kanal AI1 ist ausgewählt	
Kodierschalter SW1			S1 Kippschalter	
Kodierschalter 1	Kodierschalter 2	Analogeingang AI2-Signal	+	-
OFF	OFF	0~5V voltage	0~10V voltage	10~10V voltage
OFF	ON	0~10V voltage		
ON	ON	0~20mA current		

Überprüfen Sie auch die Wahlschalter NPN-, PNP für die digitalen Eingänge.

- Testlauf des Wechselrichters
- Testlauf des Umrichters von der Tastatur oder der Terminal-Steuerung, Kontrolle alle Bedingungen sicher sind.
- Für erweiterte Funktionen finden Sie in der umfassenden Anleitung geliefert.
- Um alle Parameter Standardwerte zurückzusetzen, um eingestellt F160 = 1 ist.

KONFORMITÄT

Im vollständigen AC30V Produkthandbuch ist ein umfassender Führer zur Produktkonformität enthalten.

Warnung – Wenn EMV- und Sicherheitsbestimmungen nicht vereinbar sind, erhält die Sicherheit des Personals stets Priorität.

Voraussetzung für den Betrieb dieses Geräts ist die detaillierte Kenntnis der Installations- und Betriebsanweisungen des Produkthandbuchs. Diese Informationen finden sich auf der im Lieferumfang des Produkts enthaltenen CD-ROM. Diese sollte stets bei dem Produkt aufbewahrt werden.

Achtung: Dieses Gerät gehört der Produktklasse für beschränkte Verteilung gemäß IEC 61800-3 an. Es ist als „professionelles Gerät“ nach EN61000-3 ausgewiesen. Vor dem Anschluss an eine Niederspannungsversorgung ist die Genehmigung des Stromversorgers einzuholen.

Im Wohnbereich kann dieses Produkt Funkstörungen verursachen. In diesem Fall sind zusätzliche Schutzmaßnahmen zu ergreifen.

Dieses Gerät enthält Teile, die empfindlich auf elektrostatische Entladungen (ESD) reagieren. Es sind deshalb Vorkehrungen zu treffen, die bei der Handhabung, Installation und Wartung dieses Produkts die Bildung elektrostatischer Ladung begrenzen.

EMV-Emissionen

Wenn das Gerät entsprechend den Anweisungen in Kapitel 4, Abschnitt „Anbringen des Gerätes“ installiert wird, entspricht die Abstrahlung dem Standard EN61800-3, Kategorie C1, C2 und C3.

Leitungsgeführte Emissionen entsprechen EN61800-3, Kategorie C3 und C2 ohne externen Filter und Kategorie 1 mit dem angegebenen externen Filter.

Die Störfestigkeit entspricht den Anforderung von EN61800-3 für Geräte, die zur Verwendung in der zweiten Umgebung vorgesehen sind.

EMV-Anschlüsse

Um die Konformität mit den EMV-Anforderungen zu gewährleisten, muss die Klemme „0V/signal ground“ (0V/Signalerde) separat geerdet werden. Wenn mehrere Geräte in einem System zum Einsatz kommen, müssen diese Klemmen an einem zentralen, lokalen Erdungspunkt miteinander verbunden werden.

Für Steuer- und Signalanschlüsse müssen geschirmte Kabel verwendet werden, wobei die Abschirmung nur am VSD-Ende angeschlossen wird. Wenn jedoch nach wie vor Hochfrequenzrauschen auftritt, erden Sie die Abschirmung am anderen Ende (nicht VSD) über einen 0,1-Kondensator.

Hinweis: Die Steuer- und Signalabschirmungen (am VSD-Ende) sind mit der VSD-Schutzterde und nicht mit den Klemmen an der Schalttafel zu verbinden.

Die Motorkabel sollten über eine 360°-Verbindung verfügen, damit ein niederohmiger Anschluss gewährleistet werden kann (siehe nebenstehende Abbildung).

Planung der Kabelführungen

Verwenden Sie möglichst kurze Motorkabel.

Verwenden Sie eine einzige Kabellänge zu einem Sternverbindungsplatz für die Versorgung mehrerer Motoren.

Elektrische Störgeräusche verursachende Kabel und besonders empfindliche Kabel sollten separat verlegt werden. Wenn das nicht möglich ist, muss bei parallelen Kabelführungen ein Mindestabstand von 0,25 Meter eingehalten werden, bei Kabellängen über 10 Meter muss die Entfernung proportional vergrößert werden.

Empfindliche Kabel müssen rauschintensive Kabel im 90°-Winkel kreuzen.

Empfindliche Kabel sind niemals in der Nähe des Motors, der Gleichstromleitung und der Brems-Schopper-Schaltung bzw. parallel dazu, auch nicht über kurze Strecken zu verlegen.

Niemals dürfen Versorgungs-, Gleichstrom- oder Motorkabel im gleichen Kabelstrang wie die Signal-/Steuer- und Rückleitungskabel geführt werden, auch wenn sie über eine Abschirmung verfügen.

Es ist sicherzustellen, dass EMV-Filterein- und -Filterausgangskabel separat verlegt werden und kein Kontakt am Filter entsteht.

Chapter 3 Français

Informations de Sécurité

LA DEFAILLANCE OU L'UTILISATION DE MANIERE INCORRECTE OU NON CONFORME A SA DESTINATION DU PRODUIT DECRIT DANS CE DOCUMENT PEUT CAUSER UN RISQUE DE BLESSURE OU DE MORT POUR L'UTILISATEUR OU DE DOMMAGE MATERIEL

Ce document et autres informations, de Parker-Hannifin Corporation ses filiales et distributeurs autorisés, contient les informations produits ou systèmes pour de plus amples investigations de l'utilisateur ayant une expertise technique.

L'utilisateur, à l'aide de sa propre analyse et de ses tests, est seul responsable de la sélection des composants et du système et assume que toutes les performances, l'endurance, la maintenance, la sécurité et les précautions requises par l'application sont atteintes. L'utilisateur doit analyser tous les aspects de l'application, suivre les standards industriels applicables, et suivre les informations contenues dans le catalogue courant du produit et dans toutes les autres informations fournies par Parker ou ses filiales ou ses distributeurs autorisés.

Dans la mesure où Parker ou ses filiales ou ses distributeurs autorisés fournissent des composants ou des options basées sur des données ou des spécifications fournies par l'utilisateur, l'utilisateur est responsable afin de déterminer que les données et spécifications sont appropriées et suffisantes pour toutes les applications et les utilisations raisonnablement prévisibles des composants ou du système.

Exigence

IMPORTANT: Veuillez lire ces consignes de sécurité avant de mettre en service le variateur.

Attention – L'utilisation de cet équipement nécessite le suivi et l'utilisation des instructions fournies dans le manuel d'installation/d'utilisation de ce produit. Ces informations sont fournies sur le CD ROM, disquettes ou autre moyen de stockage inclus dans le colis où ce composant est reçu. Elles doivent être conservées avec le produit pour toute utilisation. Une copie de ces informations peut être commandée aux fournisseurs indiqués sur l'étiquette du produit.

Utilisateurs

Ce manuel doit être mis à la disposition des personnes chargées d'installer, configurer ou réparer le variateur ou qui doivent y intervenir pour toute autre raison.

Les informations données rappellent les consignes de sécurité, des considérations CEM, et permettent de tirer le meilleur parti du produit.

Domaine d'application

Le variateur décrit est destiné au pilotage de moteurs AC à induction ou moteurs AC synchrones triphasés.

Personnel

L'installation, la mise en service et la maintenance de cet équipement doivent être effectuées par du personnel qualifié. Est considérée comme qualifiée toute personne techniquement compétente et familière des consignes de sécurité, des procédures d'installation, de mise en service et de maintenance du variateur, ainsi que tous les risques inhérents à son utilisation et installation.

Avertissements du produit

	Attention – surfaces chaudes		DANGER Risque de choc électrique		Attention se référer à la documentation		Terre/Masse Borne du conducteur de protection
---	------------------------------------	---	--	---	---	---	---

Risques

DANGER! – Ne pas prendre en compte ces recommandations peut entraîner blessures ou dommages matériels

1. Cet équipement peut entraîner des dangers de dommages corporels par exposition à des parties en mouvement ou tournantes et à la présence de parties sous tension.
2. L'équipement doit être mis à la Terre de façon permanente à cause des forts courants de fuite. Le variateur et le moteur doivent être connectés à une Terre.
3. Avant d'intervenir sur le variateur, il est nécessaire d'isoler l'alimentation des bornes L1, L2 et L3. Prendre en compte le fait qu'il peut y avoir plus d'une alimentation connectée sur le variateur.
4. Il peut encore y avoir la présence des tensions dangereuses (Bornes d'alimentation, bornes moteur, bus continu (bornes DC+ et DC-), résistance de freinage) lorsque le moteur est à l'arrêt ou n'est pas en mouvement.
5. Pour effectuer des mesures, utiliser un multimètre IEC 61010 (CAT III ou supérieure).
6. Toujours commencer avec le calibre de mesure le plus important. Les multimètres CAT I et CAT 2 ne doivent pas être utilisés sur ce produit
7. Attendre au moins 5 minutes que les condensateurs du variateur se déchargent à des niveaux non dangereux (< 50V). Utiliser le multimètre spécifié capable de mesurer des tensions de 1000V dc et ac pour vérifier que la tension est bien inférieure à 50V entre les bornes de puissance et la Terre.
8. Sans aucune autre consigne, ce produit ne peut être démonté. Dans le cas où il serait en défaut, le variateur doit être retourné. Se référer à "Routine Maintenance and Repair".
9. ATTENTION - l'ouverture du circuit de protection peut être une indication qu'un défaut est apparu. Pour réduire les risques d'incendie ou de choc électrique, les parties actives en courant et autres composants doivent être examinées et remplacées si détériorées.

ATTENTION! - Ne pas prendre en compte ces recommandations peut entraîner blessures ou dommages matériels

SECURITE

Quand il y a un conflit entre Sécurité et CEM, la sécurité du personnel est toujours prioritaire

- Ne jamais effectuer de contrôle au mégohmmètre sans déconnecter le variateur du circuit testé.
- Tout en assurant une ventilation suffisante, prévoir des dispositifs de sécurité additionnels afin de prévenir toute blessures ou dommages matériels.
- Lors du remplacement du variateur, veiller à bien re-régler tous les paramètres du variateur avant son utilisation.
- Toutes les connexions sont SELV, i.e. protégées par une double isolation.
- S'assurer que toutes les connexions externes sont dimensionnés pour la tension système la plus haute.
- Les sondes thermiques moteurs doivent être au minimum en isolation simple.
- Toutes les parties métalliques exposées du variateur sont protégées par une isolation simple et une mise à la terre.
- Les détecteurs de défaut à la terre ne sont pas recommandés avec ce variateur. Si leur utilisation est obligatoire, il est conseillé d'utiliser des détecteurs de défaut d'isolement de type B.
- La série AC10 n'est pas un élément de sécurité ou d'un produit de sécurité des personnes.

CEM

- Dans un environnement domestique, ce produit peut causer des interférences radio. Dans ce cas, des mesures complémentaires peuvent être nécessaires.
- Ce produit contient des composants sensibles aux décharges électrostatiques (DES). Observer des précautions de manipulations lors de la manutention, l'installation et la mise en route du produit.
- L'appareil correspond à la norme IEC 61800-3, i.e. il est soumis à une distribution limitée. Il est désigné comme 'équipement professionnel' comme défini dans EN 61300-3-2. L'autorisation de l'autorité est requise pour le connecter à une alimentation basse tension.

ATTENTION ! – Installation/démontage de l'unité de commande

Coupez la source d'alimentation avant de brancher ou de débrancher l'unité sur la pile d'alimentation.

ATTENTION!

RISQUES DE L'APPLICATION

Les spécifications, processus et câblages décrits ci-après sont donnés à titre indicatif. Il peut être nécessaire de les adapter pour répondre aux besoins spécifiques d'un utilisateur. Nous ne pouvons garantir que le variateur présenté convient à toutes les applications envisageables.

ESTIMATION DES RISQUES

En cas de défaut, perte accidentelle d'alimentation ou de certaines conditions de fonctionnement, le variateur peut ne pas fonctionner comme prévu.

En particulier :

- L'énergie stockée peut ne pas être à des niveaux non dangereux comme prévu, et peut toujours être présente même si le variateur n'est plus alimenté.
- Le sens de rotation du moteur peut ne pas être contrôlé.
- La vitesse du moteur peut ne plus être contrôlée.
- Le moteur peut être sous tension.

Un variateur est un composant d'un système qui peut influencer son fonctionnement et ses effets lorsqu'il est en défaut.

Il faut prendre en considération :

- L'énergie stockée
- La déconnexion des alimentations
- la séquence logique

DÉMARRAGE RAPIDE

AVANT DE DÉMARRER

Ce document couvre les étapes nécessaires pour un démarrage de base du variateur AC10. Les démarrages du variateur doivent être effectués par des techniciens électriques qualifiés qui connaissent parfaitement les variateurs CA et leurs applications. Pour obtenir plus d'informations sur l'installation, la sécurité et les applications, consultez le manuel du produit AC10.

Lors de l'installation du variateur, assurez-vous que toutes les normes électriques locales sont respectées. Vérifiez que toutes les parties sous tension sont couvertes pour vous protéger contre les chocs électriques et que la rotation accidentelle du moteur n'entraînera ni dommages corporels ni blessures.

À propos de ce guide de démarrage rapide

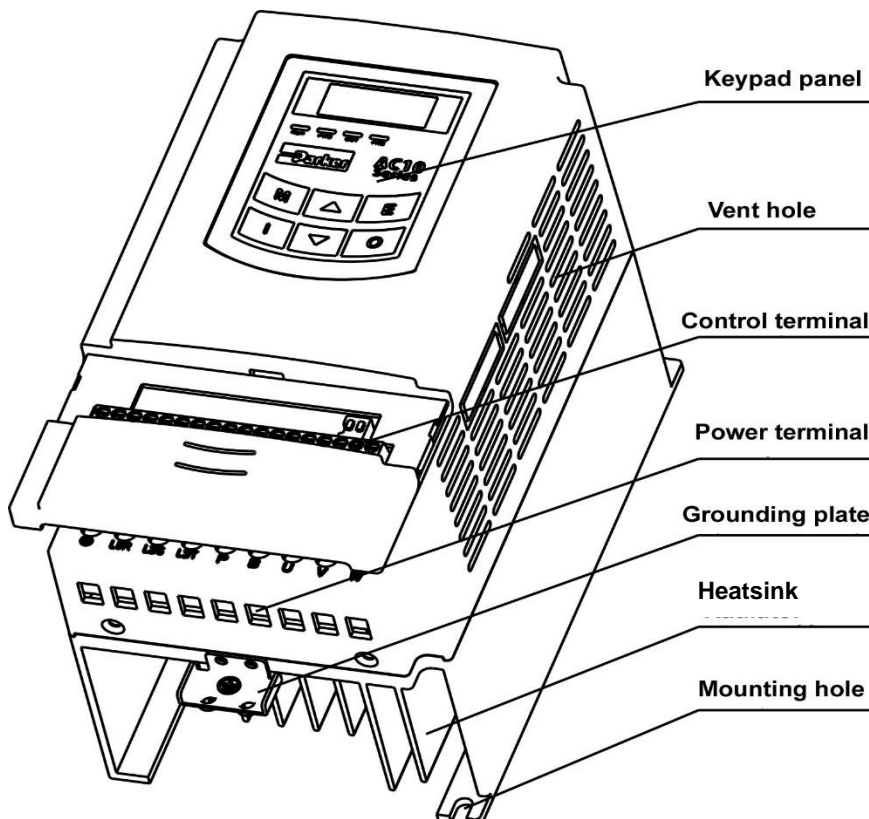
Ce guide de démarrage rapide vise à :

- vous familiariser avec les bornes et le fonctionnement de l'unité.
- fournir des informations d'installation de base* et indiquer la procédure de réglage rapide.
- vous indiquer comment régler automatiquement le variateur et démarrer le moteur.

Ce guide de démarrage rapide suppose que :

- vous êtes un technicien qualifié et expérimenté dans l'installation de ce type d'équipements ;
- vous avez une bonne connaissance des normes en vigueur et des codes électriques locaux (qui prévalent) ;
- vous avez lu et compris les informations de sécurité fournies au début de ce guide ;
- vous avez conscience que ce guide ne contient que des informations de base et qu'il peut s'avérer nécessaire de consulter le manuel du produit AC10 pour réaliser votre installation ;

Présentation du produit



Code de produit – Voir page 1-4

Gamme de produits – Voir page 1-5

Démarrage du variateur

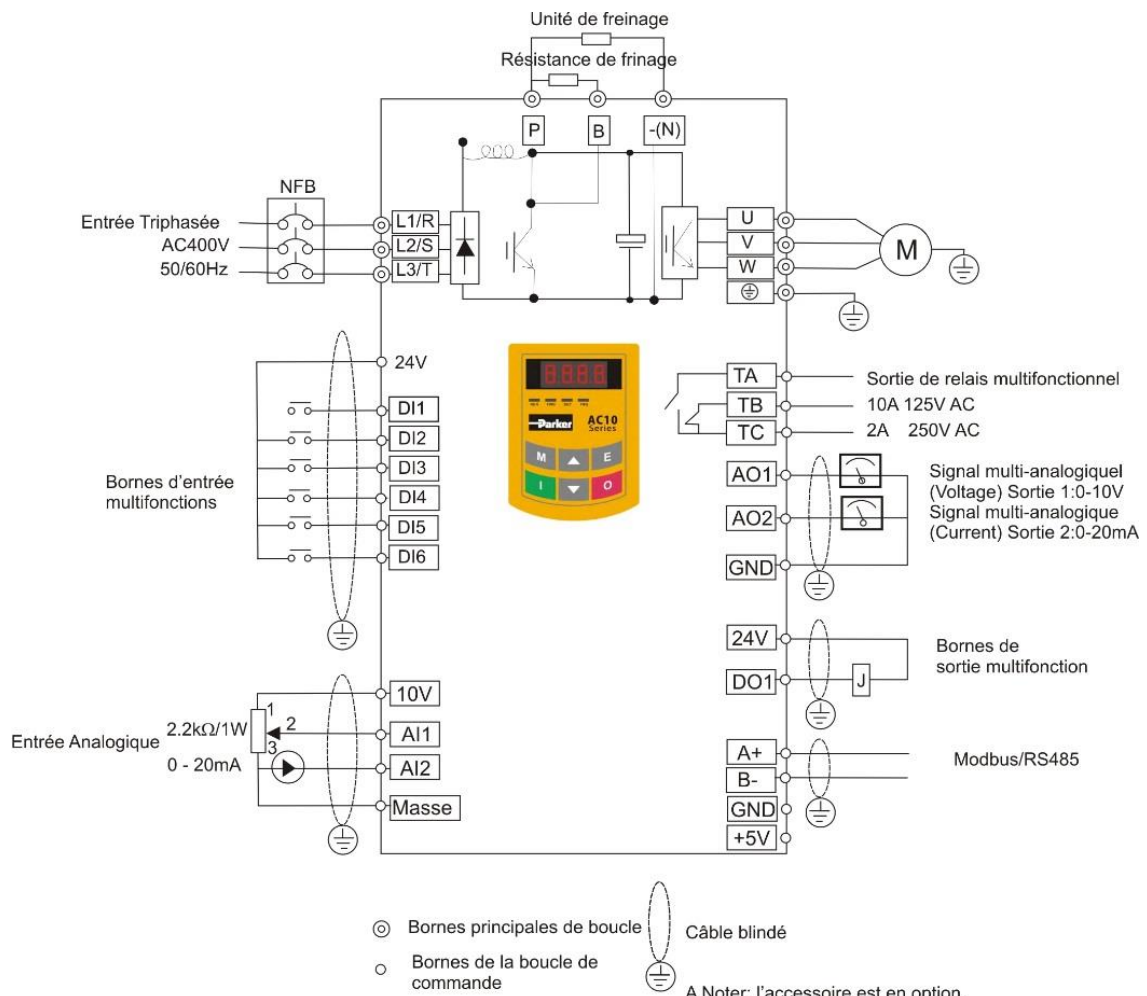
- Lisez les informations de sécurité au début de ce guide de démarrage rapide.
- Vérifiez que l'ensemble des normes électriques sont respectées.
- Vérifiez l'absence de dégâts apparents sur l'équipement.
- Vérifiez que les connexions ne sont pas desserrées et assurez-vous qu'aucune coupure ni particule ne soit logée dans le variateur ou le système.
- Vérifiez tous les circuits externes du système (puissance, commande, moteur et mise à la terre).
- Vérifiez que toute rotation inattendue du moteur, dans les deux directions, n'entraîne aucun dommage ou blessure. Débranchez la charge de l'arbre du moteur, si possible.
- Vérifiez que les contacts externes de marche sont ouverts. Vérifiez que toutes les consignes externes de vitesse sont réglées sur zéro.
- Vérifiez que personne ne travaille sur une autre partie du système pouvant être endommagée par la mise sous tension du variateur.
- Vérifiez qu'aucun équipement ne sera endommagé par la mise sous tension du variateur.
- Vérifiez que les raccordements des stators du moteur sont correctement effectués pour Star et Delta en fonction de la tension de sortie du variateur.

Données du moteur

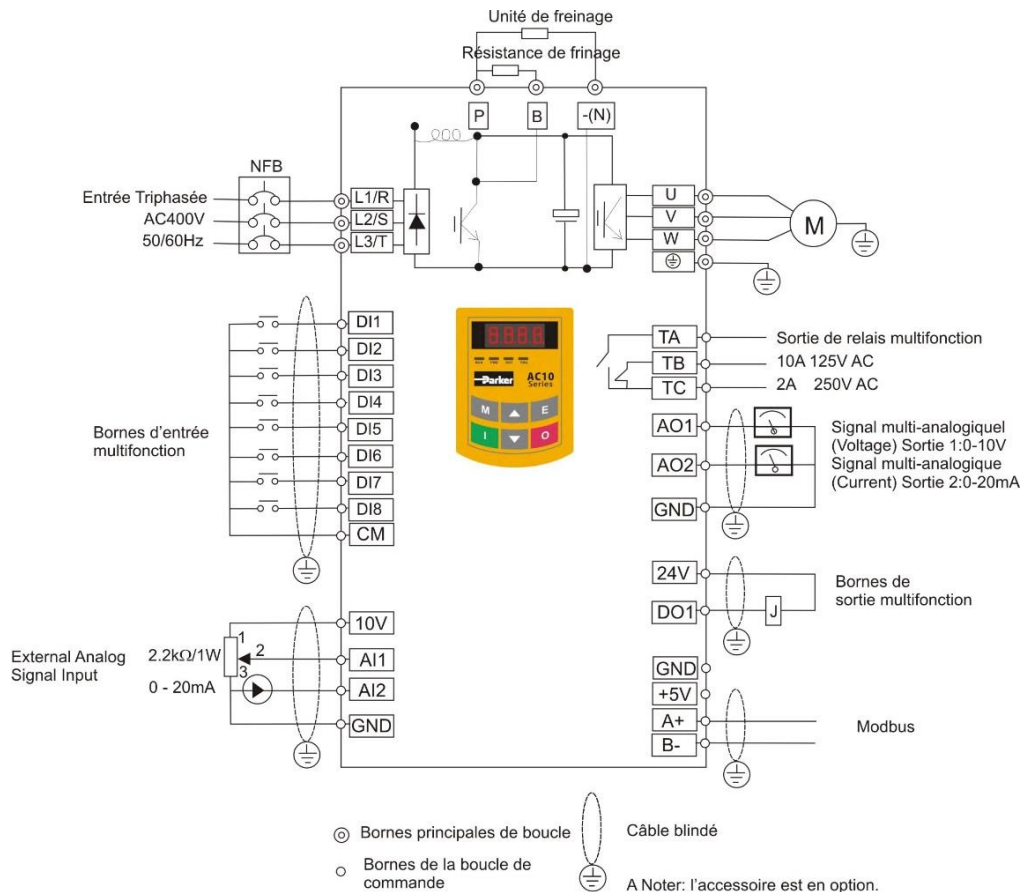
Avant de configurer le variateur, certaines informations sur le moteur sont requises. Vous les trouverez sur la plaque signalétique du moteur. Les informations dont vous avez besoin sont les suivantes :

Volts de base, Fréquence de base, Tr/min de base, Amps - Pleine charge, Amps - Pas de charge (courant mag), Connexion (star ou delta)

Connexions de base



0.2kW – 22kW Basic Wiring Diagram for Multi-stage speed control macro (PNP type)



30kW – 180kW Basic Wiring Diagram for Three-phase AC drives (NPN type)

Keypad



ED indique fréquence de fonctionnement, fréquence de clignotement de ble, le code de fonction, la valeur de paramètre ou le code d'erreur.

“DIGIT” (DGT) 4 LED indiquent l'état de marche. RUN lors de l'exécution. Traction avant la course en avant et FRQ quand l'IHM affiche la fréquence.

Appuyez sur "M" pour le code de la fonction, et «E» pour les paramètres d'origine. Touches ▲ et ▼ permettent de sélectionner les codes de fonction et des paramètres. Appuyez sur "E" pour confirmer. Dans le mode de contrôle du clavier, touches ▲ et ▼ peut également être utilisé pour le contrôle dynamique de la vitesse. Touches "O" "I" et contrôler le démarrage et l'arrêt. Appuyez sur la touche "O" pour réinitialiser l'onduleur en état de défaut.

- Appuyez sur la touche "M" pour afficher le code de la fonction
- Appuyez sur "Up" ou "Down" pour sélectionner requis code de fonction
- Appuyez sur E pour lire fixés dans le code de la fonction données
- Appuyez sur "Up" ou "Down" pour modifier les données
- Appuyez sur M pour afficher la fréquence cible correspondant en clignotant après avoir sauvegardé les données de jeu
- Appuyez sur E pour afficher le code de la fonction en cours

Set-Up Instructions

- Sélectionnez le mode d'application. Voir la Chapter 9 pour la description de l'application.
- Appuyez sur (M) jusqu'à F100 est affiché à l'écran
- Appuyez sur (O) jusqu'à ce que le voyant est allumé FWD (XOXX)
- Appuyez sur (HAUT) pour accéder à bloc de paramètres F2xx
- Appuyez sur (O) jusqu'à ce que les deux LEDs FWD et la DGT sont allumés (XOOX)
- Appuyez sur (UP) jusqu'à ce que l'affichage montre F228
- Appuyez sur (E) pour modifier le numéro de la demande
- Utilisez les touches (DOWN) (UP) et de sélectionner l'application
- Appuyez sur (E) pour confirmer votre sélection

F228	Application selection	0: Invalid 1: Basic speed control 2: Auto/manual control 3: Stage speed control 4: Terminal control; 5: PID control;
------	-----------------------	---

L'application est définie par défaut, ce qui permet l'accès à tous les paramètres s'il vous plaît voir le manuel complet pour la description de toutes les opérations.

Pour l'application des dessins de connexion s'il vous plaît voir la fin de ce guide de démarrage rapide.

- Réglez le Paramètres moteur

F801 Rated power (kW)	Setting range: 0.75~1000	
F802 Rated voltage (V)	Setting range: 1~440	
F803 Rated current (A)	Setting range: 0.1~6500	
F804 Number of motor poles	Setting range: 2~100	4
F805 Rated rotary speed (rpm/min)	Setting range: 1~30000	
F810 Motor rated frequency (Hz)	Setting range: 1.0~590.0	50.00

- Sélectionnez le mode de commande

L'onduleur AC10 dispose de trois modes de contrôle: contrôle vectoriel sans capteur (F106 = 0), le contrôle VVVF (F106 = 2) et le contrôle de vecteur 1 (F106 = 3). En mode de commande VVVF, theAC10 onduleur dispose de quatre types de modes de compensation de couple: compensation linéaire (F137 = 0); compensation Carré (F137 = 1); compensation multipoint défini par l'utilisateur (F137 = 2); compensation de couple automatique (F137 = 3)

- Définir les limites

F111 Max Frequency (Hz)	Setting range: F113~590.0	Mfr's value: 50.00
F112 Min Frequency (Hz)	Setting range: 0.00~F113	Mfr's value: 0.50

- Fixer les taux de rampe

F114 First Acceleration Time (S)	Setting range: 0.1~3000	Mfr's value: subject to inverter model
F115 First Deceleration Time (S)		
F116 Second Acceleration Time (S)		
F117 Second Deceleration Time (S)		

- Réglez le mode de commande d'E / S

Le canal de l'onduleur pour recevoir des commandes de contrôle (y compris démarrage, d'arrêt et de jogging, etc) contient 5 modes: 0. Contrôle du clavier; 1. Contrôle du terminal 2. Clavier + contrôle du terminal 3. Contrôle de Modbus; 4. Clavier + borne + Modbus. Les modes de commande de contrôle peuvent être sélectionnés par le code de la fonction F200 et F201.

F200	Source of start command	0: Keypad command; 1: Terminal command; 2: Keypad + Terminal; 3: MODBUS; 4: Keypad + Terminal + MODBUS
F201	Source of stop command	0: Keypad command; 1: Terminal command; 2: Keypad + Terminal; 3: MODBUS; 4: Keypad + Terminal + MODBUS

Pour borne de commande s'il vous plaît vérifier le sélecteur switched pour les entrées analogiques.

F203=2, le canal AI2 est sélectionné			F203=1, le canal AI1 est sélectionné	
commutateur de codage SW1			Interrupteur à bascule S1	
Commutateur de codage 1	Commutateur de codage 2	Entrée analogique AI2 Commutateur	+	-
OFF (Hors tension)	OFF (Hors tension)	Tension de 0 à 5 V	0-10V voltage	-10-+10V voltage
OFF (Hors tension)	SOUS TENSION	tension 0~10 V		
SOUS TENSION	SOUS TENSION	Intensité 0~20 mA		

Vérifiez également les commutateurs NPN, PNP pour les entrées numériques.

- Essai de fonctionnement du variateur
- Essai de fonctionnement de l'onduleur à partir du clavier ou de la borne de commande, en vérifiant toutes les conditions sont sécuritaires.
- Pour les fonctions avancées, voir le manuel complet.

CONFORMITÉ

Un guide complet de la conformité du produit est disponible dans le manuel du produit AC30V.

Avertissement – En cas de conflit entre les exigences de CEM et de sécurité, la sécurité du personnel doit toujours primer.

Le fonctionnement de cet équipement nécessite le respect des instructions détaillées d'installation et de fonctionnement figurant dans le manuel du produit prévu à cet effet. Ces informations figurent sur le cd-rom inclus dans l'emballage de ce produit. Il doit être conservé en permanence avec le produit.

Attention : Il s'agit d'un produit classé pour vente et distribution limitées au titre de la norme CEI 61800-3. Au titre de la norme EN61000-3, il s'agit d'un « équipement professionnel ». Avant de raccorder l'équipement à l'alimentation basse tension, vous devez obtenir l'autorisation de l'autorité compétente.

Dans un environnement domestique, ce produit peut causer des interférences radio, ce qui peut nécessiter des mesures d'atténuation supplémentaires.

Cet appareil contient des pièces sensibles aux décharges électrostatiques. Respectez les précautions de contrôle statique lors de la manipulation, l'installation et l'entretien de ce produit.

Émissions CEM

Les émissions de radiations sont conformes à la norme EN61800-3 catégorie C1, C2 et C3 si les instructions du chapitre 4 « Montage de l'unité » sont respectées.

Les émissions conduites sont conformes à la norme EN61800-3 catégorie C3 et C2 sans filtre externe et catégorie C1 si l'appareil est équipé d'un filtre externe spécifique.

L'immunité est conforme à la norme EN61800-3 pour les équipements destinés à être utilisés dans le second environnement.

Connexions CEM

Pour assurer la conformité aux exigences CEM, le « 0 V/référence signal » doit être séparément mis à la terre. Quand plusieurs unités sont installées dans le système, ces bornes doivent être reliées ensemble en un point unique de mise à la terre.

Les connexions de commande et de signal doivent être faites avec des câbles blindés, le blindage étant relié uniquement à l'extrémité du variateur. Toutefois, si le bruit à haute fréquence pose toujours problème, mettez l'autre extrémité du câble à la terre par un condensateur de 0,1 µF.

Remarque : Connectez les câbles blindés de commande et de signal (à l'extrémité variateur) à la mise à la terre de protection et non aux bornes de la carte de commande.

Les câbles du moteur doivent avoir un lien à 360° pour assurer une connexion de faible impédance, comme indiqué à la figure ci-dessous.

Cheminement des câbles

Utilisez les longueurs de câbles les plus courtes possible pour connecter le moteur.

Utilisez une seule longueur de câble à un point de jonction pour alimenter plusieurs moteurs.

Séparez les câbles sensibles des câbles électriquement bruyants. Si cela n'est pas possible, les parcours de câbles parallèles doivent être séparés d'au moins 0,25 mètre; pour les parcours de plus de 10 mètres, la séparation doit être augmentée proportionnellement.

Les câbles sensibles doivent croiser les câbles bruyants électriquement à angle de 90°.

Ne jamais faire cheminer des câbles sensibles en parallèle avec ceux du moteur, à quelque distance que ce soit.

Ne jamais faire cheminer des câbles d'alimentation ou de moteur dans le même conduit que les câbles de signaux même s'ils sont blindés.

Assurez-vous que les câbles d'entrée et de sortie du filtre CEM cheminent séparément et ne sont pas couplés au sein du filtre.

Chapter 4 Italiano

INFORMAZIONI SULLA SICUREZZA

LA SCELTA O L'UTILIZZO IMPROPRIO DEI PRODOTTI ED ACCESSORI DI SEGUITO DESCRITTI POSSONO PROVOCARE MORTE, GRAVI LESIONI PERSONALI O DANNI ALLE COSE.

Il presente documento ed altre informazioni provenienti da Parker Hannifin Corporation, società affiliate e distributori autorizzati forniscono opzioni, prodotti e/o sistemi il cui utilizzo deve essere valutato da utenti in possesso di adeguate competenze tecniche.

L'utente con le proprie valutazioni ed i propri test è l'unico responsabile nella scelta finale di componenti o sistemi nonché della garanzia che tutti i requisiti di prestazioni, di sicurezza e normativi dell'applicazione siano soddisfatti. L'utente deve analizzare tutti gli aspetti dell'applicazione, seguendo le normative industriali applicabili e tenere in considerazione le informazioni riguardanti il prodotto contenute in questo opuscolo e in ogni altro materiale fornito da Parker, società affiliate e distributori autorizzati.

In estensione a quanto sopra, se Parker, le società affiliate oppure i distributori autorizzati forniscono componenti, sistemi od opzioni sulla base di dati o specifiche fornite dall'utente, l'utente è egli stesso responsabile nel valutare che tali dati e specifiche sono adatti e sufficienti per tutte le applicazioni ed usi, ragionevolmente prevedibili, dei componenti o sistemi.

Requisiti

Leggere queste informazioni PRIMA di installare l'apparecchio.

ATTENZIONE – L'impiego di questo apparecchio richiede che vengano scrupolosamente seguite le istruzioni di installazione/funzionamento contenute nel manuale prodotto. Queste informazioni sono contenute nel CD ROM, dischetto o altro sistema di archiviazione presente nell'imballo del prodotto. Le informazioni devono essere sempre conservate con il prodotto. E' possibile ordinare una copia aggiuntiva del manuale presso il fornitore indicato sulla targhetta prodotto.

Utilizzatori dell'apparecchio

Questo opuscolo deve essere disponibile per tutte le persone che devono installare, configurare o mettere in servizio l'apparecchio qui descritto oppure eseguire qualsiasi altra operazione ad esso associata.

Le informazioni fornite evidenziano i requisiti di sicurezza, le considerazioni EMC ed i suggerimenti che permettono all'utilizzatore di ottenere il funzionamento ottimale.

Campi applicativi

L'apparecchiatura di seguito descritta è stata progettata per il controllo industriale della velocità di macchine che utilizzano motori CC, CA ad induzione o macchine sincrone CA.

Personale addetto

L'installazione, l'operatività e la manutenzione dell'apparecchio devono essere eseguite da personale qualificato. La persona qualificata è colui che risulta competente dal punto di vista tecnico, conosce tutte le informazioni sulla sicurezza e mette in atto pratiche finalizzate a garantirla durante l'installazione, la gestione e la manutenzione di questo apparecchio e delle pericolosità che lo coinvolgono.

Indicazioni prodotto

	Attenzione – superfici calde		PERICOLO Rischio di shock elettrico		Attenzione Vedere documentazione		Terra Morsetto terra di protezione
---	------------------------------------	---	--	---	--	---	---

Rischi

PERICOLO! – Ignorare le seguenti regole potrebbe causare incidenti

- | | |
|--|--|
| <ol style="list-style-type: none"> 1. Questo apparecchio può mettere in pericolo la vita per l'esposizione a corpi rotanti ed alte tensioni. 2. L'apparecchio deve avere una messa a terra permanente a causa delle alte correnti di dispersione, il motore comandato deve essere connesso ad un'appropriata connessione alla terra di protezione. 3. Assicurarsi che tutte le alimentazioni di ingresso siano state rimosse prima di operare sull'apparecchio. Considerare la possibilità che ci possa essere più di una sorgente di alimentazione collegata all'apparecchio. 4. Quando il motore è in arresto o fermo potrebbero esserci comunque dei valori di tensione pericolosi presenti nei morsetti di potenza (uscita motore, fase ingresso alimentazione, DC bus e freno dove presenti). 5. Per le misurazioni utilizzare solo apparecchi conformi alla norma IEC 61010 (CAT III o superiore). Iniziare utilizzando sempre la scala più alta. | <ol style="list-style-type: none"> 6. Non possono essere utilizzate per questo apparecchio strumenti in CAT I e CAT II. 6. Attendere almeno 5 minuti per permettere ai condensatori di ridurre la tensione ai loro capi a valori non pericolosi (<50V). Utilizzare strumenti in grado di misurare tensioni fino a 1000V cc ed ac rms per garantire che sia presente una tensione inferiore a 50V tra tutti i morsetti di potenza e la terra. 7. Salvo diverse indicazioni, questo prodotto NON deve essere smantellato. In caso di guasto il convertitore deve essere restituito. Fare riferimento alla voce "Manutenzione e Riparazioni". 8. ATTENZIONE – L'apertura di un qualunque dispositivo di protezione del prodotto potrebbe indicare che è stato rilevato un guasto. Al fine di ridurre il rischio di incendio e shock elettrico, le parti in tensione ed i componenti del prodotto dovrebbero essere esaminati e sostituiti se danneggiati. |
|--|--|

ATTENZIONE! - Ignorare le seguenti regole potrebbe causare incidenti o danneggiare il convertitore**SICUREZZA**

In caso di discordanza le norme di sicurezza del personale hanno la precedenza nei confronti delle norme EMC

- Non effettuare test di resistenza ad alta tensione senza aver prima scollegato il convertitore.
- Per quanto la ventilazione sia sufficientemente assicurata, provvedere a salvaguardare e/o utilizzare sistemi di sicurezza aggiuntivi per prevenire incidenti o danni all'apparecchio.
- In caso di sostituzione di un convertitore all'interno di un sistema, prima della marcia, è essenziale ripristinare correttamente tutti i valori dei parametri.
- Tutti i morsetti di controllo e segnale sono SELV, quindi a doppio isolamento. Assicurarsi che i cablaggi siano dimensionati per la maggiore delle tensioni utilizzate nel sistema.
- I sensori termici all'interno del motore devono disporre di un minimo isolamento.
- Tutte le parti metalliche accessibili sono protette mediante isolamento e collegate a terra.
- Non è raccomandato l'utilizzo di interruttori differenziali con questo apparecchio, ma dove sia inevitabile la loro installazione si raccomanda di utilizzare solamente differenziali di tipo B.
- La serie AC10 non è un componente di sicurezza o un prodotto relativo alla sicurezza.

EMC

- In ambiente domestico l'apparecchio può causare interferenze radio. In tal caso l'utente deve ricorrere ad ulteriori misure di schermatura.
- Questo apparecchio contiene componenti sensibili alle scariche elettrostatiche. È necessario quindi prendere precauzioni durante la sua messa in servizio e manutenzione.
- Questo è un prodotto concepito per distribuzione di vendita limitata secondo la normativa IEC 61800-3. È progettato come "equipaggiamento professionale" secondo quanto precisato nella normativa EN61000-3-2. Laddove richiesto si devono ottenere i permessi necessari dalle autorità competenti prima di collegarlo ad alimentazioni a bassa tensione.

AVVERTENZA. – Rimozione/montaggio unità di controllo

Interrompere l'alimentazione prima di collegare o scollegare l'unità di controllo dallo stack di potenza.

ATTENZIONE!**RISCHI LEGATI ALL'USO**

- Le specifiche tecniche, i processi e gli schemi circuitali descritti all'interno del presente manuale sono di carattere generale e potrebbero necessitare di adattamenti a specifiche richieste applicative. Non è possibile garantire l'adattabilità dell'apparecchiatura per applicazioni individuali.

SITUAZIONI A RISCHIO

In condizioni di guasto, mancanza rete ovvero condizioni operative impreviste, il convertitore potrebbe non funzionare come descritto nel manuale.

In particolare:

- L'energia immagazzinata potrebbe non portarsi a livelli di sicurezza così velocemente come suggerito e potrebbe essere ancora presente nonostante il convertitore appaia spento.
- La direzione di rotazione del motore potrebbe non essere controllata
- La velocità del motore potrebbe non essere controllata
- Il motore potrebbe essere alimentato

Il convertitore è un componente all'interno di un sistema e pertanto potrebbe influenzare il suo funzionamento o causarne danni.

Tenere quindi in considerazione:

- Energia immagazzinata
- Interruzioni dell'alimentazione
- Sequenza logica

GUIDA RAPIDA

PRIMA DI INIZIARE

Questo documento descrive i passaggi fondamentali per mettere in funzione l'inverter AC10. La messa in funzione di un inverter deve essere affidata ad elettricisti qualificati, che conoscano gli inverter AC e le relative applicazioni. Per maggiori informazioni su installazione, sicurezza ed applicazioni consultare il Manuale del prodotto AC10.

Durante l'installazione dell'inverter accertarsi di rispettare tutte le norme elettrotecniche in vigore. Verificare che tutte le parti sotto tensione siano coperte, per evitare il rischio di scariche elettriche, e che un'accidentale rotazione del motore non possa provocare infortuni.

Informazioni su questa guida rapida

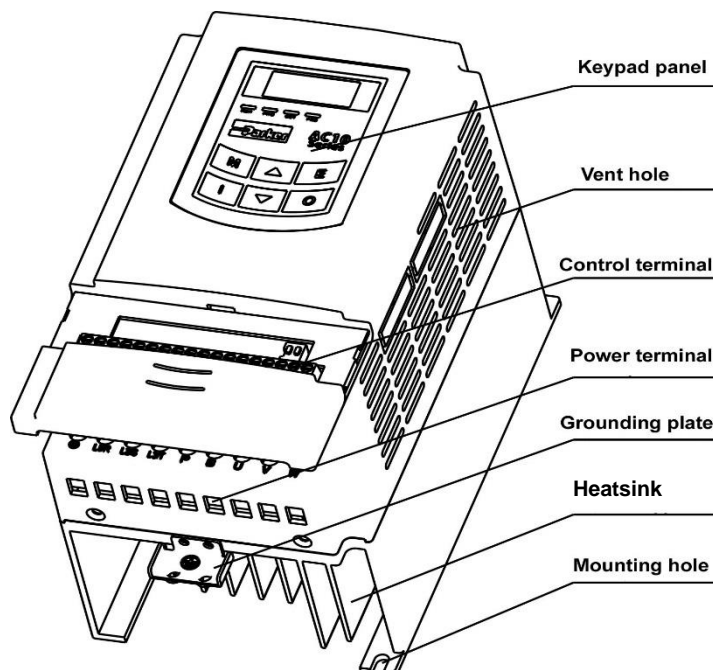
Scopo di questa guida rapida è:

- approfondire la conoscenza dei terminali e del funzionamento dell'unità.
- Fornire informazioni ***sull'installazione** di base e sulla procedura di configurazione veloce.
- Illustrare come regolare automaticamente l'inverter ed avviare il motore.

Questa guida rapida presuppone che:

- siate tecnici qualificati in grado di installare questo tipo di apparecchiature.
- Conosciate gli standard pertinenti e le norme elettrotecniche locali (che hanno la priorità).
- Abbiatelo letto e compreso le informazioni di sicurezza fornite nella prima pagina della presente guida rapida.
- Abbiatelo compreso che questa guida contiene solo le informazioni di base e che occorre consultare il manuale del prodotto AC10 per completare l'installazione.

Descrizione del prodotto



Codice prodotto – Vedere pagina 1-4

Gamma di prodotti – Vedere pagina 1-5

Messa in funzione dell'inverter

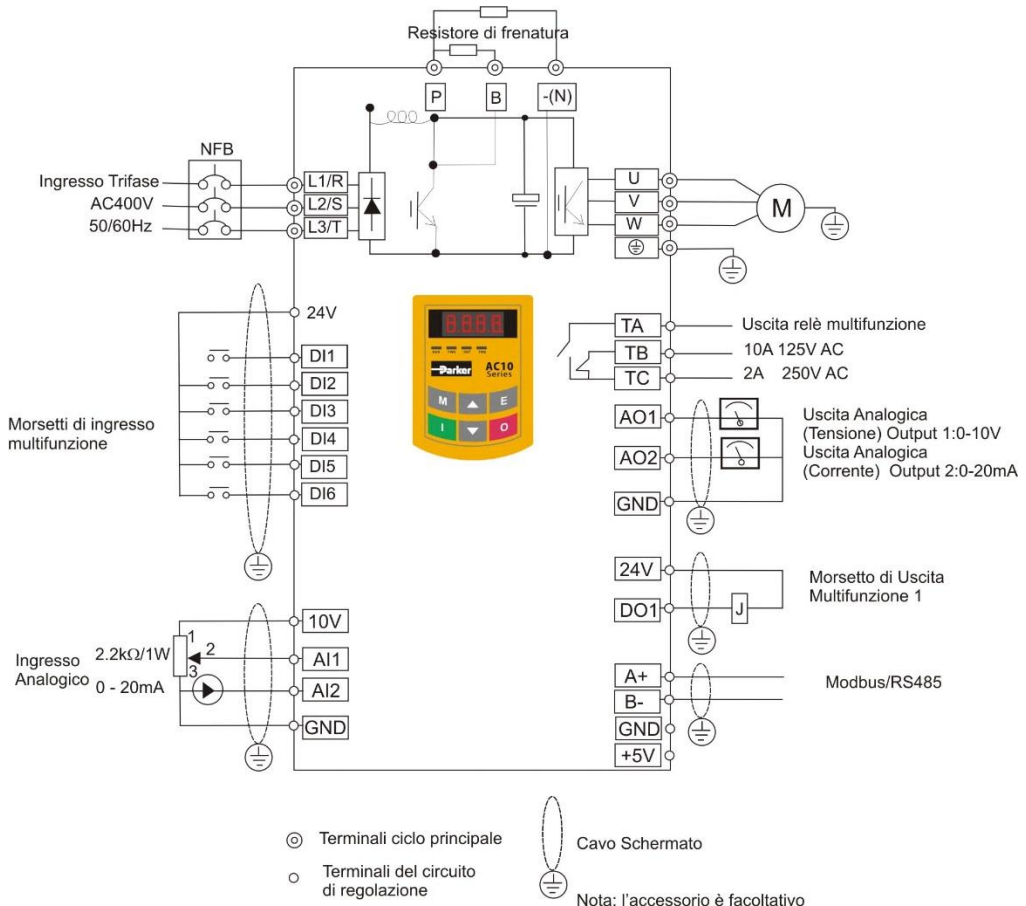
- Leggere la sezione Sicurezza nella prima pagina della guida rapida.
- Accertarsi che tutte le norme elettrotecniche locali siano rispettate.
- Controllare l'eventuale presenza di danni.
- Controllare che l'inverter e l'impianto non presentino collegamenti allentati, tagli, residui di limatura, sfridi ecc.
- Controllare tutti i circuiti esterni dell'impianto, ovvero alimentazione, comando, motore e collegamenti a terra.
- Assicurarsi che una rotazione accidentale del motore in qualsiasi direzione non possa provocare danni o infortuni. Scollegare il carico dall'albero motore, se possibile.
- Controllare che i contatti di marcia esterni siano aperti. Controllare che i setpoint di velocità esterni siano uguali a zero.
- Assicurarsi che nessuno stia lavorando su un'altra parte di impianto che potrebbe essere interessata in caso di accensione.
- Accertarsi che l'accensione non provochi danni ad altre apparecchiature.
- Controllare che i collegamenti dello statore motore siano cablati correttamente a stella o triangolo, come richiesto per la tensione di uscita dell'inverter.

Dati motore

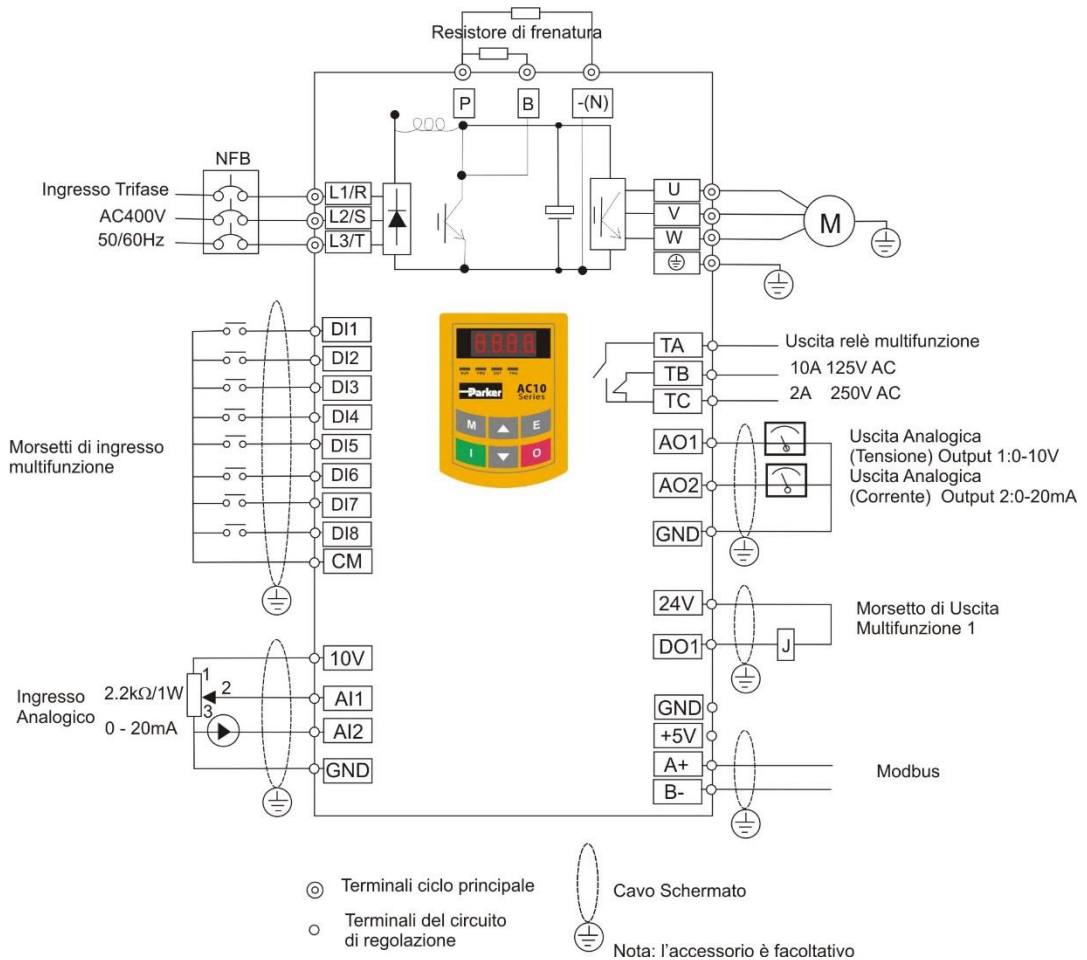
Per poter configurare l'inverter occorre conoscere alcune informazioni sul motore, reperibili sulla targhetta dei dati nominali. Le informazioni necessarie sono elencate di seguito:

Tensione di base, Frequenza di base
Giri/min di base
Ampere a pieno carico
Ampere a vuoto (corrente mag.)
Collegamento (a stella o triangolo)

Collegamenti di base



0.2kW – 22kW Basic Wiring Diagram for Multi-stage speed control macro (PNP type)



30kW – 180kW Basic Wiring Diagram for Three-phase AC drives (NPN type)

Keypad



LED indica frequenza di marcia, frequenza infiamante bersaglio, codice funzione, il valore del parametro o il codice di errore.

DIGIT (DGT) 4 LED indicano lo stato di lavoro. RUN durante l'esecuzione. FWD correre avanti e FRQ quando la MMI sta mostrando frequenza.

Premere il tasto "M" per il codice funzione e "E" per i parametri originali. ▲ e ▼ tasti possono essere utilizzati per selezionare codici funzione e dei parametri. Premere il tasto "E" per confermare. Nella modalità di controllo da tastiera, tasti ▲ e ▼ può essere utilizzato anche per il controllo della velocità dinamica. "I" tasti "O" comando di start e stop. Premere il tasto "O" per ripristinare inverter in stato di errore.

- Premere il tasto "M" per visualizzare il codice funzione
- Premere "Up" o "Down" per selezionare il codice funzione desiderata
- Premere E per leggere i dati impostati nel codice funzione
- Premere "Up" o "Down" per modificare i dati
- Premere M per visualizzare corrispondente frequenza di riferimento facendo lampeggiare dopo aver salvato il set di dati
- Premere E per visualizzare il codice funzione corrente

Set-Up Istruzioni

- Selezionare la modalità di applicazione. Vedere la Sezione 9 per la descrizione dell'applicazione.
 - Premere (M) fino F100 viene visualizzato sul display
 - Premere (O) fino a quando solo il LED FWD è acceso (XOXX)
 - Premere (UP) per accedere blocco di parametri F2xx
 - Premere (O) fino a quando entrambi i LED FWD e DGT sono illuminate (XOOX)
 - Premere (UP) finché il display mostra F228
 - Premere (E) per modificare il numero della domanda
 - Utilizzare l'(UP) e tasti (giù) per selezionare l'applicazione
 - Premere (E) per confermare la selezione

F228	Application selection	0: Invalid 1: Basic speed control 2: auto/manual control 3: Stage speed control 4: Terminal control; 5: PID control;
------	-----------------------	---

Applicazione è impostato come predefinito, questo permette l'accesso a tutti i paramaters consultare il manuale completo per la descrizione di tutte le operazioni.
 Per l'applicazione disegni di collegamento si rimanda alla fine di questa guida rapida.

- Impostare il motore Paramaters

F801	Rated power (kW)	Settina range: 0.75~1000	
F802	Rated voltage (V)	Settina range: 1~460	
F803	Rated current (A)	Settina range: 0.1~6500	
F804	Number of motor poles	Settina range: 2~100	4
F805	Rated rotary speed (rpm/min)	Settina range: 1~30000	
F810	Motor rated frequency (Hz)	Setting range: 1.0~590.0	50.00

- Selezionare la modalità di controllo

L'inverter AC10 ha tre modalità di controllo: il controllo vettoriale senza sensori (F106 = 0), il controllo VVVF (F106 = 2) e controllo vettoriale 1 (F106 = 3). In modalità di controllo VVVF, theAC10 inverter dispone di quattro tipi di modalità di compensazione di coppia: compensazione lineare (F137 = 0); compensazione Square (F137 = 1); compensazione multipunto definito dall'utente (F137 = 2); compensazione di coppia automatico (F137 = 3)

- Impostare i limiti

F111 Max Frequency (Hz)	Setting range: F113~590.0	Mfr's value: 50.00
F112 Min Frequency (Hz)	Setting range: 0.00~F113	Mfr's value: 0.50

- Impostare la velocità di rampa

F114 First Acceleration Time (S)	Setting range: 0.1~3000	Mfr's value: subject to inverter model
F115 First Deceleration Time (S)		
F116 Second Acceleration Time (S)		
F117 Second Deceleration Time (S)		

- Impostare la modalità di controllo I/O

Il canale di inverter per ricevere i comandi di controllo (tra cui l'avviamento, arresto e jogging, etc) contiene 5 modalità: 0. Controllo da tastiera; 1. Controllo Terminal 2. Tastiera + controllo del terminale 3. Comando Modbus, 4. Tastiera + terminale + Modbus. Le modalità di comando di controllo possono essere selezionate attraverso la F200 codici funzione e F201.

F200	Source of start command	0: Keypad command; 1: Terminal command; 2: Keypad + Terminal; 3: MODBUS; 4: Keypad + Terminal + MODBUS
F201	Source of stop command	0: Keypad command; 1: Terminal command; 2: Keypad + Terminal; 3: MODBUS; 4: Keypad + Terminal + MODBUS

Per il controllo del terminale si prega di consultare il selettore switched per gli ingressi analogici.

F203=2, channel AI2 is selected			F203=1, channel AI1 is selected
SW1 coding switch			0~10V voltage
Coding Switch 1	Coding Switch 2	Analog Input AI2	
OFF	OFF	0~5V voltage	
OFF	ON	0~10V voltage	
ON	ON	0~20mA current	

Controllare anche selettori NPN, PNP per gli ingressi digitali.

- Test di eseguire l'inverter

Test eseguito l'inverter da tastiera o il controllo del terminale, controllando tutte le condizioni sono al sicuro.

- Per le funzioni avanzate, consultare il manuale completo.
- Per ripristinare tutte paramaters ai valori predefiniti F160 impostato = 1.

CONFORMITÀ

Nel manuale del prodotto AC30V è disponibile una guida completa alla conformità del prodotto.

Attenzione – In caso di conflitto tra i requisiti EMC e di sicurezza, la sicurezza del personale deve sempre prevalere.

L'uso di questa apparecchiatura richiede istruzioni dettagliate di installazione e funzionamento, fornite nel manuale del prodotto. Queste informazioni sono contenute nel CD-ROM accluso al prodotto. È necessario conservarle sempre insieme al prodotto.

Avvertenza: questo prodotto fa parte della classe di distribuzione limitata secondo la norma IEC 61800-3. È definito "apparecchiatura professionale" in base alla norma EN61000-3. Prima di effettuare il collegamento a una fonte di alimentazione a bassa tensione occorre l'autorizzazione dall'autorità competente.

In un ambiente domestico il prodotto può causare interferenze radio; in tal caso potrebbe essere necessario adottare misure di attenuazione supplementari.

L'apparecchiatura contiene parti sensibili alle scariche elettrostatiche (ESD). Durante la movimentazione, l'installazione e la manutenzione del prodotto è necessario attenersi alle precauzioni di controllo delle cariche elettrostatiche.

Emissioni EMC

Se le apparecchiature sono installate secondo le istruzioni fornite nel Capitolo 4, "montaggio dell'unità", le emissioni irradiate sono conformi alla norma EN61800-3 categoria C1, C2 e C3.

Se le apparecchiature sono equipaggiate con filtro esterno le emissioni condotte sono conformi alla norma EN61800-3 categoria C3 e C2 senza filtro esterno e categoria C1.

L'immunità è conforme ai requisiti della norma EN61800-3 per le apparecchiature destinate all'uso in ambiente 2.

Collegamenti EMC

Per soddisfare i requisiti EMC la "terra di segnale/0V" è da collegare a terra separatamente. Quando in un impianto vengono utilizzate varie unità questi morsetti devono essere collegati insieme, in un unico punto di messa a terra locale.

I collegamenti di comando e segnale richiedono cavi schermati, con la schermatura collegata esclusivamente all'estremità VSD. Se il rumore ad alta frequenza rappresenta ancora un problema, collegare a terra la schermatura all'estremità non VSD tramite un condensatore da 0,1 μF .

collegare le schermature di comando e segnale (all'estremità VSD) al punto di terra di protezione VSD e non ai morsetti della scheda di controllo.

I cavi motore devono avere un ponticello a 360° per assicurare un collegamento a bassa impedenza, come indicato nella figura.

Disposizione dei cavi

I cavi motore devono essere il più corti possibile.

Per alimentare più motori usare un cavo singolo diretto a un punto di giunzione a stella.

Tenere separati i cavi sensibili da quelli che possono generare interferenze elettriche. Se questo non è possibile, separare i cavi paralleli di almeno 25 cm per i tratti superiori ai 10 metri, aumentando la distanza proporzionalmente.

I cavi sensibili devono incrociare i cavi che possono generare interferenze elettriche a 90° l'angolo.

Non posare i cavi sensibili vicino o paralleli al circuito di motore, DC link e chopper di frenatura.

Non posare i cavi di alimentazione, motore o DC link nello stesso fascio dei cavi di segnale/comando e di retroazione, anche se schermati.

Assicurarsi che i cavi di ingresso e uscita del filtro EMC siano separati e che non siano accoppiati attraverso il filtro.

Chapter 5 Polski

INFORMACJE DOTYCZĄCE BEZPIECZEŃSTWA

NIESTOSOWANIE SIĘ JAK RÓWNIEŻ NIEWŁĄCZYWI DOBÓR LUB KORZYSTANIE Z PRODUKTÓW OPISANYCH W NINIEJSZYM DOKUMENCIE LUB Z NIMI POWIĄZANYCH MOŻE SPOWODOWAĆ ŚMIERĆ, OBRAŻENIA CIAŁA ORAZ USZKODZENIE MIENIA.

Niniejszy dokument oraz inne informacje dołączone przez firmę Parker-Hannifin Corporation, jej podmioty zależne oraz autoryzowanych dystrybutorów zawierają opisy opcji produktu lub systemu, które są przewidziane dla użytkowników posiadających odpowiednią wiedzę techniczną.

Użytkownik, na podstawie własnych analiz i badań, jest wyłącznie odpowiedzialny za ostateczny wybór systemu i komponentów oraz zapewnienie, że spełnione są wszystkie związane z przewidywanym zastosowaniem wymagania dotyczące parametrów pracy, odporności, konserwacji, bezpieczeństwa i sygnalizacji ostrzegawczej. Do obowiązku użytkownika należy analiza wszystkich aspektów danego zastosowania, przestrzeganie odnośnych norm branżowych oraz stosowanie się do informacji dotyczących produktu podanych w aktualnym katalogu produktowym jak również wszelkich innych materiałów dostarczonych przez firmę Parker lub jej podmioty zależne bądź autoryzowanych dystrybutorów.

W odniesieniu do opcji komponentów lub systemu dostarczanych przez firmę Parker lub jej spółki zależne lub autoryzowanych dystrybutorów na podstawie danych lub specyfikacji dostarczonych przez użytkownika, użytkownik jest odpowiedzialny za zapewnienie, że takie dane i specyfikacje są właściwe i wystarczające dla wszystkich zastosowań i możliwych do przewidzenia przypadków użycia tych komponentów lub systemów.

Wymagania

IMPORTANT: WAŻNE: Prosimy o zapoznanie się z poniższymi informacjami PRZED montażem urządzenia.

OSTRZEŻENIE – Obsługa niniejszego urządzenia wymaga zapoznania się ze szczegółowymi zasadami montażu i obsługi podanymi w Instrukcji montażu i obsługi przewidzianej do stosowania z niniejszym produktem. Instrukcja ta znajduje się na płycie CD-ROM, dyskiecie (ach) lub innym nośniku danych dołączonym do opakowania, w którym niniejsze urządzenie zostało dostarczone. Instrukcja ta musi być przez cały czas przechowywana z niniejszym urządzeniem. Papierową kopię tej instrukcji można zamówić u dostawcy, który jest wskazany na etykiecie produktu.

Docelowi użytkownicy

Niniejsza broszura musi być dostępna dla wszystkich osób odpowiedzialnych za montaż, konfigurację lub serwisowanie opisanego urządzenia lub wszelkie inne związane z nimi czynności.

Przedstawione informacje mają na celu zwrócenie uwagi na kwestie związane z bezpieczeństwem, kompatybilnością EMC oraz umożliwienie użytkownikom optymalnego korzystania z urządzenia.

Zakres zastosowań

Opisane wyposażenie jest przeznaczone do regulacji prędkości obrotowej przemysłowych silników indukcyjnych lub synchronicznych prądu przemiennego.

Personel

Czynności montażu, obsługi i konserwacji urządzenia powinny być wykonywane przez kompetentny personel. Kompetentny pracownik to osoba, która posiada odpowiednie kwalifikacje techniczne i jest zaznajomiona ze wszystkimi informacjami dotyczącymi bezpieczeństwa i uznanymi praktykami bezpieczeństwa, przebiegiem montażu, obsługą i konserwacją niniejszego urządzenia oraz świadomy występujących zagrożeń.

Ostrzeżenia umieszczone na produkcie

	ZAGROŻENIE Ryzyko porażenia prądem		Uwaga – gorące powierzchnie		Ostrzeżenie Patrz dokumentacja		Uziemienie Zacisk przewodu ochronnego
--	--	---	-----------------------------	---	--------------------------------	---	---------------------------------------

Zagrożenia

ZAGROŻENIE! – zignorowanie poniższych informacji może skutkować powstaniem obrażeń ciała

- Niniejsze urządzenie może stanowić zagrożenie dla życia związane z kontaktem z maszynami wirnikowymi i wysokimi napięciami.
- Urządzenie musi być uziemione na stałe z uwagi na wysoki prąd upływowy a silnik napędowy musi być połączony do odpowiedniego uziemienia.
- Przed rozpoczęciem pracy z urządzeniem upewnić się, że wszelkie doprowadzone zasilanie jest izolowane. Należy pamiętać, że do napędu może być podłączone więcej niż jedno źródło zasilania.
- Przy nie pracującym lub zatrzymanym silniku mogą wciąż występować niebezpieczne napięcia na zaciskach elektrycznych (wyjścia silnika, faz napięcia wejściowego, magistrali DC i hamulca, jeśli jest zainstalowany).
- Do pomiarów należy używać tylko miernika zgodnego z normą IEC 61010 (kategorii CAT III lub wyższej). Zawsze rozpoczynać pomiary przy użyciu najwyższego zakresu wartości. Zabronione jest stosowanie z niniejszym produktem mierników w kategorii CAT I i CAT II.
- Odczekać co najmniej 5 minut, aby umożliwić rozładowanie się kondensatorów napędu do bezpiecznej wartości napięcia (< 50 V). Przy pomocy odpowiedniego miernika przystosowanego do pomiaru napięcia stałego i zmiennego (wartość skuteczna) do 1000 V upewnić się, że napięcie pomiędzy wszystkimi zaciskami zasilania a uziemieniem jest mniejsze niż 50 V.
- O ile nie określono inaczej, NIE jest dozwolone demontowanie niniejszego produktu. W przypadku napędu musi zostać zwrócony do producenta. Patrz punkt „Konserwacja okresowa i naprawy”.
- NIEBEZPIECZEŃSTWO – zadziałanie wyłącznika zabezpieczającego w obwodzie może wskazywać na wystąpienie prądu zwarciovego. Aby zmniejszyć ryzyko pożaru lub porażenia prądem elektrycznym, należy sprawdzić części będące pod napięciem oraz pozostałe elementy sterownika kontrolera i wymienić w razie ich uszkodzenia.

NIEBEZPIECZEŃSTWO! – zignorowanie poniższych informacji może skutkować powstaniem obrażeń ciała lub uszkodzeniem urządzenia

BEZPIECZE STWO W przypadku wykluczających się wymogów dotyczących kompatybilności EMC i bezpieczeństwa, pierwszeństwo mają zawsze wymogi dotyczące bezpieczeństwa personelu.

- Przed wykonywaniem pomiaru rezystancji izolacji na okablowaniu wysokiego napięcia należy zawsze odłączyć najpierw napęd od sprawdzanego obwodu.
- Aby uniknąć obrażeń lub uszkodzeń urządzenia, należy zapewnić osłony i/lub dodatkowe środki bezpieczeństwa, które zapewniają jednocześnie odpowiednią wentylację.
- Napięcia na wszystkich zaciskach sterowniczych i sygnałowych mają bezpieczne wartości niskie (SELV), tj. są chronione izolacją podwójną. Wszystkie elementy zewnętrznego okablowania muszą mieć parametry znamionowe odpowiadające najwyższemu napięciu systemu.
- Wszystkie metalowe elementy obudowy przemiennika są zabezpieczone przez izolację podstawową i podłączone do uziemienia.
- W przypadku wymiany napędu konieczne jest przed ponownym rozpoczęciem użytkowania prawidłowe zainstalowanie wszystkich parametrów zdefiniowanych przez użytkownika dla określonego zastosowania produktu.
- Czujniki temperatury umieszczone w silniku muszą posiadać przynajmniej izolację podstawową.
- Nie jest zalecane stosowanie z tym produktem wyłączników różnicowoprądowych, w przypadku gdy ich użycie jest wymagane, należy stosować wyłącznie wyłączniki typu B.
- Seria AC10 nie jest elementem wpływającym na bezpieczeństwo lub produkt związany z bezpieczeństwem.

KOMPATYBILNOŚĆ EMC

- W środowiskach mieszkalnych niniejszy produkt może powodować zakłócenia fal radiowych, wymagające od użytkownika podjęcia dodatkowych środków zaradczych.
- To urządzenie zawiera części wrażliwe na wyładowania elektrostatyczne (ESD). Przestrzegać zaleceń ochrony elektrostatycznej podczas obchodzenia się, montażu i serwisowania tego produktu.
- Zgodnie z wymaganiami normy IEC 61800-3 jest to produkt przeznaczony do ograniczonej dystrybucji. Zgodnie z definicją zawartą w normie EN 61000-3-2 produkt jest określony jako „profesjonalne urządzenie”. Przed podłączeniem do sieci zasilania niskiego napięcia należy uzyskać zezwolenie zakładu energetycznego.

NIEBEZPIECZE STWO! – Demonta / monta modułu sterowania

Odłączyć zasilanie przed podłączeniem lub odłączeniem modułu sterowania od zespołu głównego przemiennika.

UWAGA!

RYZIKO ZWIĄZANE Z UŻYTKOWANIEM

- Zamieszczone w niniejszym dokumencie specyfikacje, procesy i obwody elektryczne są podane jedynie jako przykładowe i mogą wymagać dostosowania do określonej aplikacji użytkownika. Nie możemy zagwarantować przydatności opisanego w niniejszej instrukcji urządzenia do poszczególnych aplikacji.

OCENA RYZYKA

W przypadku wystąpienia usterki, utraty zasilania lub nieprzewidzianych warunków pracy napęd może działać niezgodnie z oczekiwaniem.

W szczególności:

- Czas rozładowania nagromadzonej energii do bezpiecznego poziomu może trwać dłużej niż sugerowane, a energia ta może występować w układzie nawet mimo to, że napęd jest wyłączony.
- Możliwa jest utrata kontroli kierunku obrotów silnika
- Możliwa jest utrata kontroli prędkości obrotowej silnika
- Możliwy jest zanik zasilania silnika

Napęd jest elementem układu napędowego, który w warunkach awarii może wpływać na jego działanie lub parametry pracy.

W takich sytuacjach należy uwzględnić:

- Ilość nagromadzonej energii
- Odłączenia zasilania
- Logikę działania

INSTRUKCJA SZYBKIEGO URUCHOMIENIA

PRZED ROZPOCZĘCIEM

Niniejszy dokument opisuje czynności niezbędne do pierwszego uruchomienia przemiennika serii AC10. Pierwsze uruchomienie przemiennika powinno być wykonywane przez kompetentnych techników elektryków, którzy są zaznajomieni z przemiennikami prądu zmiennego oraz ich zastosowaniem. Szczegółowe informacje na temat montażu, bezpieczeństwa i zastosowań znajdują się w Instrukcji produktu AC10.

Upewnić się, że montaż przemiennika jest wykonywany zgodnie ze wszystkimi lokalnymi przepisami elektrycznymi. Upewnić się, że wszystkie części będące pod napięciem posiadają osłony zabezpieczające przed porażeniem prądem elektrycznym a nieoczekiwane włączenie obrotów silnika nie spowoduje uszczerbku na zdrowiu lub obrażeń ciała.

Niniejszy dokument zakłada, że przemiennik jest już zamontowany w przewidzianym położeniu zgodnie ze wszystkimi odnośnymi procedurami montażu.

O NINIEJSZEJ INSTRUKCJI SZYBKIEGO URUCHOMIENIA

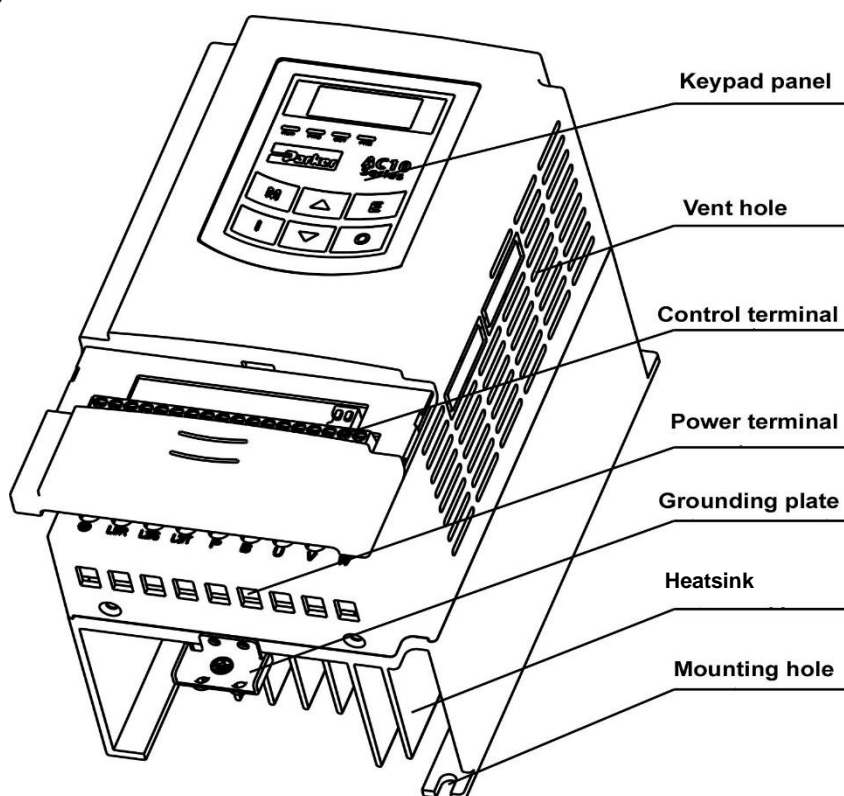
Niniejsza instrukcja szybkiego uruchomienia zawiera:

- Opis zacisków i działania urządzenia.
- ***Podstawowe** informacje dotyczące montażu i procedurę szybkiej konfiguracji.
- Opis sposobu automatycznego dostrojenia przemiennika i uruchomienia silnika.

Niniejsza instrukcja szybkiego uruchomienia zakłada, że jej użytkownik:

- jest kompetentnym technikiem posiadającym doświadczenie w montażu tego typu urządzeń.
- posiada znajomość właściwych norm i obowiązujących lokalnie przepisów elektrycznych (które mają pierwszeństwo).
- Przeczytał i zrozumiał informacje dotyczące bezpieczeństwa umieszczone przed niniejszą instrukcją szybkiego uruchomienia.
- Jest świadomy, że niniejsza instrukcja zawiera jedynie podstawowe informacje i do zakończenia procedury montażu może być konieczne użycie Instrukcji produktu AC10.

Informacje o produkcie



Produkcje Code – Patrz strona 1-4

gama produktów – Patrz strona 1-5

Uruchomienie przemiennika

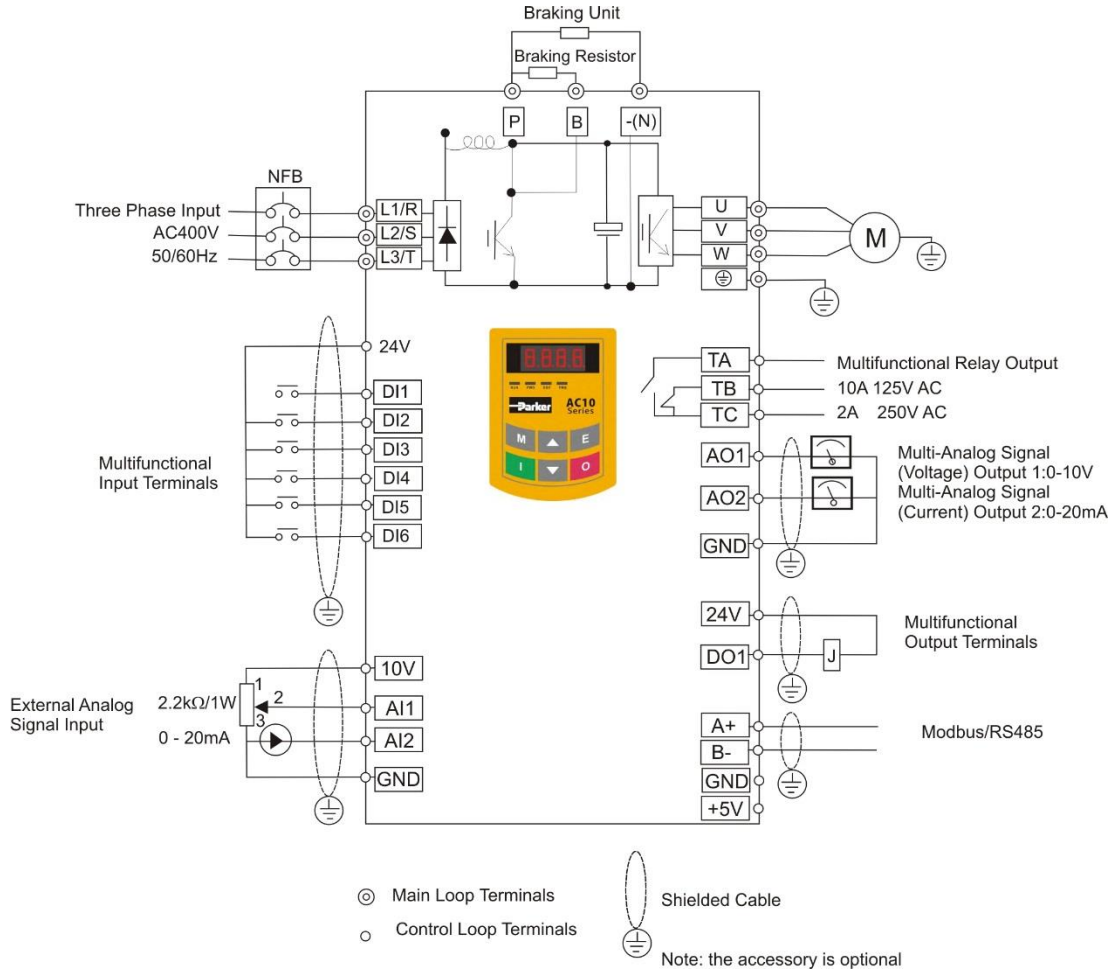
- Przeczytać informacje dotyczące bezpieczeństwa umieszczone przed instrukcją szybkiego uruchomienia.
- Upewnić się, że montaż przemiennika jest zgodny ze wszystkimi lokalnymi przepisami elektrycznymi.
- Sprawdzić, czy urządzenie nie jest uszkodzone.
- Sprawdzić, czy w przemienniku i instalacji nie ma obciętych końców przewodów, ścinków, opiłków, wiórów powstałych przy wierceniu itp.
- Sprawdź wszystkie zewnętrzne obwody okablowania systemu – zasilania, sterowania, silnika i uziemienia.
- Upewnić się, że przypadkowe włączenie obrotów silnika nie spowoduje uszkodzeń, obrażeń ciała lub urazów. Odłączyć obciążenie od wału silnika, jeśli to możliwe.
- Sprawdzić, czy zaciski zdalnego sterowania są otwarte. Sprawdzić, czy wartości zdalnych nastaw prędkości mają wartości zerowe.
- Upewnić się, że żaden z pracowników nie znajduje się w obszarze instalacji, w którym powstanie zagrożenie po włączeniu zasilania.
- Upewnić się, że włączenie zasilania nie będzie miało ujemnego wpływu na pracę innych urządzeń.
- Sprawdzić, czy połączenia stojana silnika są prawidłowo podłączone w gwiazdę lub trójkąt jak wymagane dla napięcia wyjściowego przemiennika.

Parametry silnika

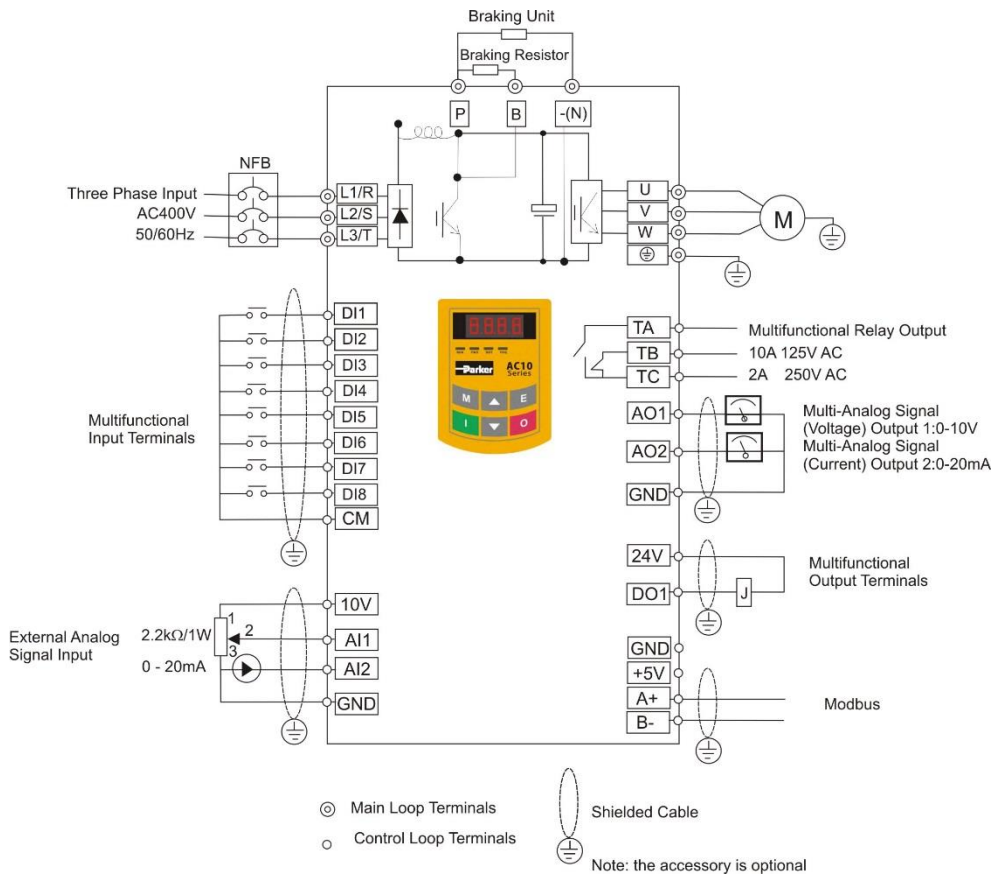
Przed przystąpieniem do konfiguracji przemiennika, należy przygotować dane znamionowe silnika. Informacje te są podane na tabliczce znamionowej silnika. Wymagane dane są podane poniżej:

Napięcie znamionowe
Częstotliwość znamionowa
Znamionowa prędkość obrotowa
Prąd znamionowy przy pełnym obciążeniu
Prąd jałowy (prąd magnesujący)
Połączenie (gwiazda lub trójkąt)

Podstawowe połączenia



0.2kW – 22kW Basic Wiring Diagram for Multi-stage speed control macro (PNP type)



30kW – 180kW Basic Wiring Diagram for Three-phase AC drives (NPN type)

Keypad



Pokazy LED działa częstotliwości, migające częstotliwości docelowej, kod funkcji, wartość parametru lub kod błędu.

DIGIT (DGT) 4 diody LED sygnalizujące stan pracy. RUN podczas jazdy. FWD działa do przodu i FRQ gdy MMI pokazuje częstotliwość.

Naciśnij "M" dla kodu funkcji, a "E" do oryginalnych parametrów. ▲ i ▼ może być używany do wyboru kody funkcji i parametrów. Ponownie naciśnięć przycisk "E", aby potwierdzić. W trybie sterowania klawiaturą, ▲ i ▼ może być również używany do kontroli dynamicznej prędkości. "I" i "O" klawisze sterowania start i stop. Naciśnij klawisz "O", aby zresetować falownik w stanie błędu.

- Naciśnij przycisk "M", aby wyświetlić kod funkcji
- Naciśnij przycisk "w górę" lub "w dół", aby wybrać żądany kod funkcji
- Naciśnij E, aby odczytać dane wymienione w kodzie funkcji
- Naciśnij przycisk "w górę" lub "w dół", aby zmodyfikować dane
- Naciśnij M, aby wyświetlić odpowiadający częstotliwości docelowej poprzez miganie po zapisaniu zbioru danych
- Naciśnij E, aby wyświetlić aktualny kod funkcji

Instrukcja konfiguracji

- **Wybierz tryb aplikacji. Patrz rozdział 9 w odniesieniu do opisu aplikacji.**

- Naciśnij przycisk (M) aż F100 jest pokazany na wyświetlaczu
- Naciśnij (O) aż tylko FWD dioda LED (XOXX)
- Naciśnij (UP), aby uzyskać dostęp do bloku parametrów F2xx
- Naciśnij (O) aż obie diody FWD i DGT są oświetlone (XOOX)
- Naciśnij (UP), aż wyświetlacz pokazuje F228
- Naciśnij przycisk (E), aby zmienić liczbę aplikacji
- Użyj przycisku (w górę) i (w dół), aby wybrać aplikację
- Naciśnij przycisk (E), aby potwierdzić wybór

F228	Application selection	0: Invalid 1: Basic speed control 2: auto/manual control 3: Stage speed control 4: Terminal control; 5: PID control;
------	-----------------------	---

Aplikacja jest ustawiony jako domyślny, to umożliwi dostęp do wszystkich paramaters zobacz pełną instrukcję do opisu wszystkich operacji.
 Rysunki połączeń do aplikacji można znaleźć na końcu tej skróconej instrukcji obsługi.

- **Ustawić silnik paramaters**

F801 Rated power (kW)	Setting range: 0.75~1000	
F802 Rated voltage (V)	Setting range: 1~460	
F803 Rated current (A)	Setting range: 0.1~6500	
F804 Number of motor poles	Setting range: 2~100	4
F805 Rated rotarv speed (rpm/min)	Setting range: 1~30000	
F810 Motor rated frequency (Hz)	Setting range: 1.0~590.0	50.00

- **Wybierz tryb sterowania**

Przetwornica AC10 ma trzy tryby sterowania: Sterowanie wektorowe (F106 = 0), kontrola VVVF (F106 = 2) oraz sterowanie wektorowe 1 (F106 = 3). W trybie sterowania VVVF, falownik theAC10 ma cztery rodzaje trybów kompensacji momentu obrotowego: Kompensacja liniowa (F137 = 0); odszkodowanie Square (F137 = 1), zdefiniowane przez użytkownika kompensacja wielopunktowa (F137 = 2), kompensacja momentu Auto (F137 = 3)

- **Ustaw limity**

F111 Max Frequency (Hz)	Setting range: F113~590.0	Mfr's value: 50.00
F112 Min Frequency (Hz)	Setting range: 0.00~F113	Mfr's value: 0.50

- **Ustaw ramp**

F114	First Acceleration Time (S)	Setting range: 0.1~3000	Mfr's value: subject to inverter model
F115	First Deceleration Time (S)		
F116	Second Acceleration Time (S)		
F117	Second Deceleration Time (S)		

- **Ustaw tryb sterowania I / O**

Kanał dla falownika otrzymywać polecenia sterujące (w tym start, stop i joggingu, itp.) zawiera 5 trybów: 0. Sterowanie z klawiatury; 1. Sterowanie zaciskami; 2. Sterowanie klawiatura + zacisk 3. Sterującego Modbus; 4. Klawiatura + zacisk + Modbus. Tryby sterowania ruchem może być wybrany przez F200 i F201 Kody funkcji.

F200	Source of start command	0: Keypad command; 1: Terminal command; 2: Keypad + Terminal; 3: MODBUS; 4: Keypad + Terminal + MODBUS
F201	Source of stop command	0: Keypad command; 1: Terminal command; 2: Keypad + Terminal; 3: MODBUS; 4: Keypad + Terminal + MODBUS

Dla sterowania zaciskarni sprawdź selektor switched dla wejść analogowych.

F203=2, channel AI2 is selected			F203=1, channel AI1 is selected	
SW1 coding switch			S1 toggle switch	
Coding Switch 1	Coding Switch 2	Analog Input AI2 signal	+	-
OFF	OFF	0~5V voltage	0 ~ 10V voltage	-10 ~ +10V voltage
OFF	ON	0~10V voltage		
ON	ON	0~20mA current		

Sprawdź również przełączniki NPN, PNP dla wejść cyfrowych.

- **Test przetwornicy**

Próba uruchomienia falownika z klawiatury lub sterowania zaciskami, sprawdzając wszystkie warunki są bezpieczne.

- Dla zaawansowanych funkcji zobaczyć pełną instrukcję.
- Aby przywrócić wszystkie paramaters wartości domyślne ustawienie F160 do = 1.

KOMPATYBILNOŚĆ

Szczegółowe wytyczne dotyczące zapewnienia kompatybilności produktu są podane w Instrukcji produktu AC30V.

Niebezpieczeństwo - w przypadku wykluczających się wymogów dotyczących kompatybilności EMC i bezpieczeństwa, pierwszeństwo mają zawsze wymogi dotyczące bezpieczeństwa personelu.

Praca z niniejszym urządzeniem wymaga dokładnych instrukcji montażu i obsługi podanych w instrukcji przewidzianej do stosowania z niniejszym produktem. Instrukcja ta znajduje się na płycie CD-ROM dołączonej do opakowania, w którym niniejszy produkt został dostarczony. Instrukcja powinna być przez cały czas przechowywana razem z produktem.

Uwaga: Zgodnie z wymaganiami normy IEC 61800-3 jest to produkt przeznaczony do ograniczonej dystrybucji. Zgodnie z definicją zawartą w normie EN 61000-3-2 produkt jest określony jako „profesjonalne urządzenie”. Przed podłączeniem do sieci zasilania niskiego napięcia należy uzyskać zezwolenie zakładu energetycznego.

W środowiskach mieszkalnych niniejszy produkt może powodować zakłócenia fal radiowych, wymagające od użytkownika podjęcia dodatkowych środków zaradczych.

To urządzenie zawiera części wrażliwe na wyładowania elektrostatyczne (ESD). Przestrzegać zaleceń ochrony elektrostatycznej podczas obchodzenia się, montażu i serwisowania tego produktu.

Emisje zakłóceń EMC

Urządzenie spełnia wymagania kategorii C1, C2 i C3 normy PN-EN 61800-3 dotyczące emisji promieniowanych w przypadku zamontowania zgodnie z instrukcjami podanymi w rozdziale 4 w punkcie „Montaż urządzenia”.

Urządzenie bez filtra zewnętrznego spełnia wymagania kategorii C3 i C2 normy PN-EN 61800-3 dotyczące emisji przewodzonych oraz kategorii C1, gdy jest wyposażone w podany filtr zewnętrzny.

Urządzenie spełnia wymagania normy PN-EN 61800-3 dotyczące odporność na zakłócenia dla urządzeń przeznaczonych do stosowania w środowisku drugim.

Połączenia EMC

Aby spełnić wymagania EMC zacisk „0V/signal ground” musi być osobno uziemiony. W przypadku użycia w instalacji większej liczby przemienników zaciski te należy podłączyć do wspólnego, lokalnego punktu uziemienia.

Połączenia sterownicze i sygnałowe należy wykonać przy użyciu ekranowanych przewodów, z ekranem podłączonym wyłącznie od strony przemiennika. Jednakże w przypadku występowania zakłóceń wysokiej częstotliwości należy uziemić ekranowanie przewodu również z drugiej strony poprzez kondensator o pojemności 0,1 μ F.

Uwaga: podłączyć ekranowanie przewodów sterowniczych i sygnałowych (od strony przemiennika) do punktu uziemienia ochronnego przemiennika, a nie do zacisków listwy sterowniczej.

Połączenie ekranowania przewodów silnikowe należy wykonać na całym swoim obwodzie (360°), jak pokazane na rysunku obok, aby zapewnić niską impedancję połączenia.

Ułożenie okablowania

Stosować możliwie jak najkrótsze przewody silnikowe.

Przy połączeniu w gwiazdę użyć jednego przewodu do zasilania wielu silników.

Układać osobno przewody emitujące zakłócenia elektryczne i wrażliwe na zakłócenia. Jeśli nie jest to możliwe przy równoległym ułożeniu przewody powinny być rozdzielone od siebie z odstępem co najmniej 0,25 metra.

Przy długościach ułożenia większych niż 10 metrów odstęp ten powinien być proporcjonalnie zwiększony.

Przewody wrażliwe na zakłócenia powinny być układane prostopadłe do przewodów emitujących zakłócenia pod kątem w halaśliwych kątem 90°.

Nigdy nie układać przewodów wrażliwych na zakłócenia w pobliżu lub równoległe do silnika, obwodu pośredniego DC i obwodu rezystora hamowania.

Nigdy nie układać przewodów zasilania, obwodu pośredniego DC lub przewodów silnikowych w tej samej wiązce co przewody sygnałowe/sterownicze lub przewody sprzężenia zwrotnego, nawet jeśli są one ekranowane.

Upewnić się, że przewody wejściowe i wyjściowe filtra EMC są ułożone osobno i nie krzyżują się wzdłuż filtra.

Chapter 6 Español

INFORMACIÓN DE SEGURIDAD

FALLAS, USOS O SELECCIÓN INADECUADA DEL PRODUCTO DESCRITO EN EL PRESENTE O LOS ARTÍCULOS RELACIONADOS PUEDEN CAUSAR LA MUERTE, LESIONES PERSONALES O DAÑOS A LA PROPIEDAD.

Este documento y otra información de Parker-Hannifin Corporation, sus filiales y distribuidores autorizados proporcionan opciones de productos o sistemas para su posterior investigación por parte de usuarios con idoneidad técnica.

El usuario a través de su propio análisis y evaluación, es responsable exclusivamente de realizar la selección final del sistema y los componentes, y de asegurar que se cumplan todos los requerimientos de rendimiento, resistencia, mantenimiento, seguridad y advertencia. El usuario debe analizar todos los aspectos de la aplicación, seguir los estándares de la industria pertinentes, y seguir la información concerniente al producto en el catálogo de productos actual y en cualquier otro material proporcionado por Parker o sus filiales o distribuidores autorizados.

En la medida en que Parker o sus filiales o distribuidores asociados proporcionen opciones de componentes o sistemas basándose en datos o especificaciones proporcionadas por el usuario, el usuario es responsable de determinar que dichos datos o especificaciones sean adecuados y suficientes para todas las aplicaciones y los usos previsibles razonables de los componentes o sistemas.

Requerimientos

IMPORTANTE: Lea esta Información de seguridad ANTES de instalar el equipo.

ADVERTENCIA: El funcionamiento de este equipo requiere las instrucciones detalladas de instalación y funcionamiento proporcionadas en el manual de Instalación/Funcionamiento elaborado para utilizar con este producto. Esta información se proporciona en el CD ROM, disquete(s), u otro dispositivo de almacenamiento que se incluyen en el envase de este dispositivo. El envase se debe conservar junto con este dispositivo en todo momento. Se puede solicitar una copia impresa de esta información al proveedor indicado en la etiqueta del producto.

Usuarios al que va dirigido

Este folleto deberá ponerse a disposición de todas las personas que deban instalar, configurar o arreglar el equipo descrito en el presente, o cualquier otra operación asociada.

La información proporcionada tiene como finalidad detallar problemas de seguridad y consideraciones de EMC, y permitir al usuario obtener el máximo beneficio del equipo.

Área de aplicación

El equipo descrito está diseñado para el control de velocidad de motores industriales utilizando, motores de inducción de CA o máquinas sincrónicas de CA.

Personal

La instalación, la operación y el mantenimiento del equipo deben ser realizados por personal competente. Una persona competente es alguien que está técnicamente calificada y familiarizada con toda la información de seguridad y prácticas de seguridad establecidas; con el proceso de instalación, operación y mantenimiento de este equipo, y con todos los peligros involucrados.

Advertencias sobre el producto

	PELIGRO Riesgo de descarga eléctrica		Atención: superficies de temperatura elevada		Precaución Consulte la documentación		Tierra/Suelo Terminal del conductor de protección
--	--	---	--	---	--	---	---

Peligros

AVISO Si se ignora lo siguiente se pueden producir lesiones

- Este equipo puede poner en peligro la vida mediante la exposición a la maquinaria rotatoria y los altos voltajes.
- El equipo debe estar permanentemente conectado a tierra debido a corrientes intensas de fuga a tierra, y el motor del dispositivo debe estar conectado a tierra de forma segura y adecuada.
- Asegúrese de que todos los suministros de entrada estén aislados antes de trabajar en el equipo. Tenga en cuenta que puede haber más de una conexión de suministro a la unidad.
- Aún puede haber voltajes peligrosos presentes en las terminales eléctricas (salida del motor, fases de entrada de suministro eléctrico, bus de CC y el freno, donde estén colocados) cuando el motor está detenido o parado.
- Deje pasar al menos 5 minutos para que los capacitores de la unidad descarguen a niveles de voltaje seguros (<50V). Utilice el medidor específico capaz de medir hasta 1000V cc y ca rms para confirmar que hay menos de 50V entre todas las terminales eléctricas y la tierra.
- Excepto que se especifique lo contrario, este producto NO se debe desmontar. En el caso de una falla se debe devolver la unidad. Consulte "Mantenimiento de rutina y reparación".
- ADVERTENCIA:** La apertura del dispositivo de protección del circuito ramal puede ser una indicación de que se ha interrumpido una corriente de falla. Para reducir el riesgo de incendio o descarga eléctrica, las partes de transporte de corriente y otros componentes del controlador se deben examinar y reemplazar si estuvieran dañadas.

5. Para mediciones utilice solamente un medidor que cumpla con IEC 61010 (CAT III o superior). Comience siempre utilizando el rango más alto. Los medidores que cumplen con CAT I y CAT II no se deben utilizar en este producto.

ADVERTENCIA - Ignorar lo siguiente puede resultar en lesiones o daños al equipo

SEGURIDAD

Cuando exista un conflicto entre EMC y los requerimientos de seguridad, la seguridad del personal siempre tendrá prioridad.

- Nunca realice verificaciones de resistencia de alto voltaje en el cableado sin desconectar primero la unidad del circuito que se está probado.
- Mientras se asegura de que la ventilación sea suficiente, proporcione protección y/o sistemas de seguridad adicionales para prevenir lesiones o daños en el equipo.
- Todas las terminales de controles y señal son SELV, es decir, están protegidas mediante doble aislamiento. Asegúrese de que todo el cableado externo esté calificado para el voltaje más alto del sistema.
- Todo metal expuesto en el inversor está protegido por aislamiento básico y conectado a tierra de forma segura
- Al reemplazar una unidad en una aplicación y antes de volver a utilizarla, es fundamental que todos los parámetros definidos por el usuario para el funcionamiento del producto estén correctamente instalados.
- Los sensores térmicos dentro del motor deben tener al menos aislamiento básico.
- No se recomienda el uso de dispositivos de corriente residual (RCD) para este producto pero, cuando su uso sea obligatorio, solo se deben utilizar RCD de tipo B.
- La serie AC10 no es un componente de seguridad o producto relacionado con la seguridad.

EMC

- En un entorno doméstico este producto puede causar interferencia radial, en cuyo caso se requerirán medidas de mitigación complementarias.
- Este equipo contiene partes sensibles a descargas electrostáticas (ESD). Observe las precauciones de control estático al manipular, instalar y arreglar este producto.
- Este es un producto de distribución de venta restringida de acuerdo con IEC 61800-3. Se designa como "equipo profesional" según se define en EN61000-3-2. Se debe obtener el permiso de la autoridad de suministro de energía antes de conectarlo a un suministro eléctrico de bajo voltaje.

ADVERTENCIA – Extracción/instalación de la unidad de control

Aísle el suministro antes de conectar o desconectar la unidad de control a la pila de alimentación.

PRECAUCIÓN

RIESGO DE APLICACIÓN

- Las especificaciones, procesos y sistemas de circuitos descritos en el presente se brindan solo a modo de orientación y pueden tener que adaptarse a la aplicación específica del usuario. No podemos garantizar la adecuación del equipo descrito en este Manual para aplicaciones individuales.

EVALUACIÓN DEL RIESGO

En condiciones de falla, pérdida de energía o condiciones operativas imprevistas, la unidad puede no funcionar según lo previsto.

En particular:

- La energía almacenada puede no descargarse a niveles seguros tan rápido como se sugiere, e incluso puede estar presente aun cuando la unidad parece estar apagada.
- La dirección del motor de rotación puede no estar controlada.
- La velocidad del motor puede no estar controlada.
- El motor puede estar conectado a la corriente.

Una unidad es un componente dentro de un sistema de propulsión que puede influenciar su funcionamiento o efectos en una condición de falla.

Se debe considerar lo siguiente:

- Energía almacenada
- Desconexiones del suministro de energía
- Lógica de distribución

INICIO RÁPIDO

ANTES DE COMENZAR

En este documento se tratan los pasos necesarios para la puesta en funcionamiento básica de la unidad AC10. Las puestas en funcionamiento de la unidad deben ser llevadas a cabo por técnicos en electricidad competentes que estén familiarizados con las unidades AC y sus aplicaciones. Para obtener información detallada acerca de la instalación, la seguridad y las aplicaciones, consulte el manual del producto AC10.

Asegúrese de cumplir con todos los códigos eléctricos locales durante la instalación de la unidad. Compruebe que todas las piezas con tensión estén cubiertas para protegerse contra descargas eléctricas y para que la rotación inesperada del motor no provoque daños corporales o lesiones.

En este documento se espera que la unidad ya se encuentre instalada en su ubicación deseada y que se hayan seguido todos los procedimientos de instalación correspondientes.

Acerca de este manual de inicio rápido

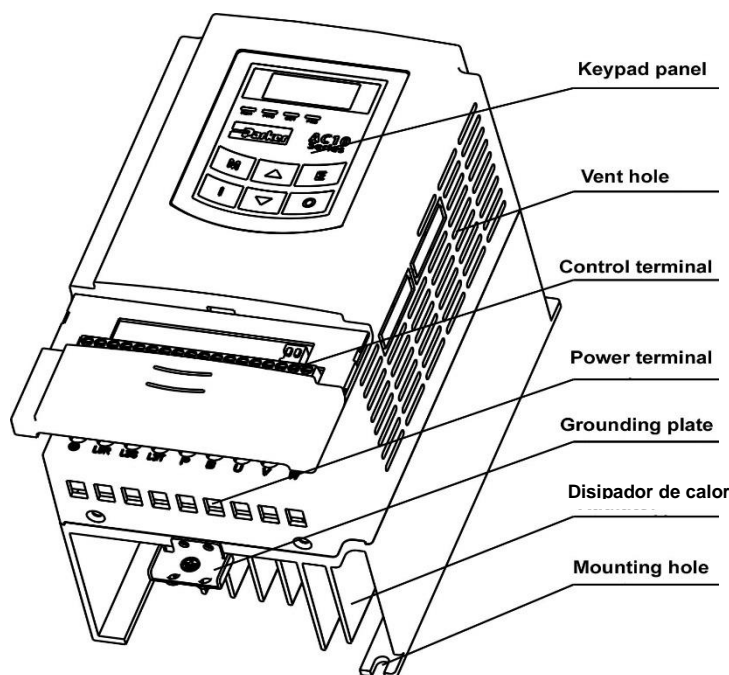
Este manual de inicio rápido:

- Le permitirá familiarizarse con los terminales y el funcionamiento de la unidad.
- Le proporciona información detallada acerca de la instalación ***básica** y un procedimiento de configuración rápida.
- Le muestra cómo ajustar la unidad automáticamente y sobre cómo poner en marcha el motor.

En este manual de inicio rápido se dan por hecho los siguientes aspectos:

- Que es usted un técnico competente que dispone de experiencia en la instalación de este tipo de equipos.
- Que está familiarizado con los estándares correspondientes y con los códigos eléctricos locales (que tienen prioridad).
- Que ha leído y comprendido la información de seguridad proporcionada en la parte frontal de este manual de inicio rápido.
- Que comprende que esta guía solamente contiene información básica y que es posible que necesite consultar el manual del producto AC10 para completar la instalación.

Descripción del producto



Código producto - Vedere pagina1-4

Gamma di prodotti - Vedere pagina 1-5

Puesta en marcha de la unidad

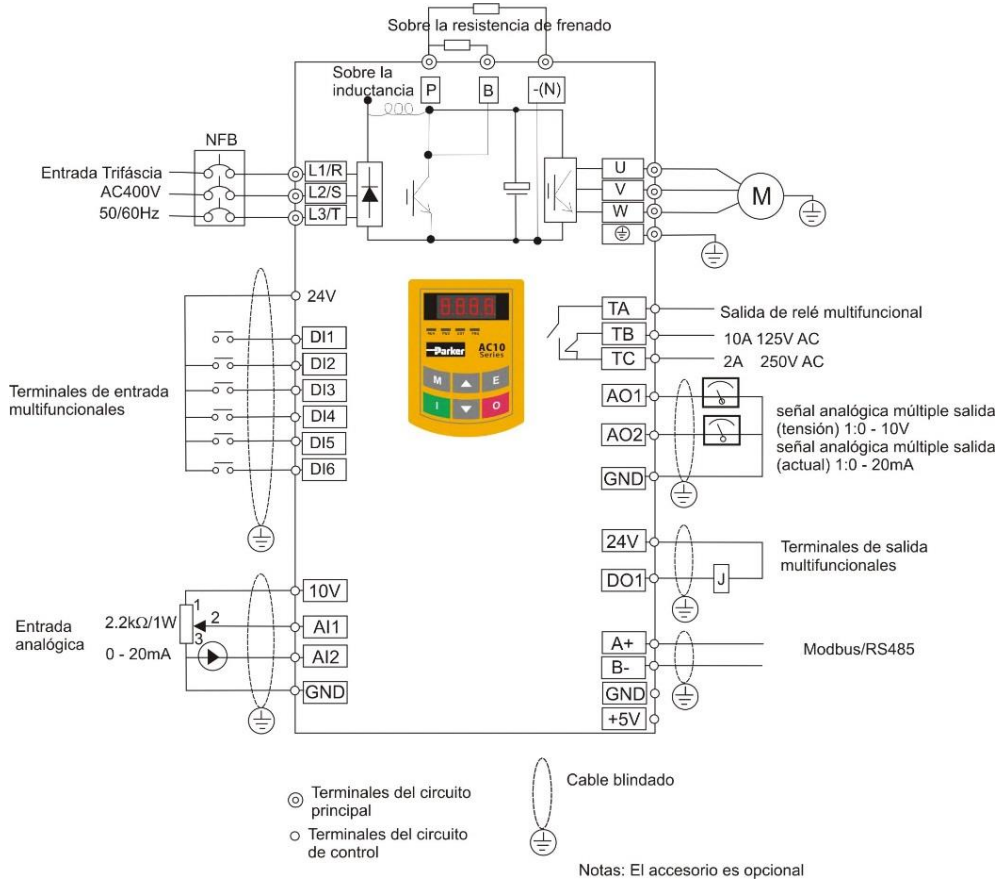
- Lea la sección Seguridad que se encuentra en la parte frontal del manual de inicio rápido.
- Asegúrese de cumplir con todos los códigos eléctricos locales.
- Compruebe los posibles daños del equipo.
- Asegúrese de que no haya extremos sueltos, recortes, limaduras, virutas de perforación, etc. ni en la unidad ni en el sistema.
- Compruebe todos los circuitos de los cables externos del sistema, conexiones de alimentación, control, motor y tierra.
- Asegúrese de que la rotación inesperada del motor en alguna de las direcciones no provoque daños ni lesiones corporales. Si es posible, desconecte la carga del eje del motor.
- Asegúrese de que los contactos de ejecución externos están abiertos. Asegúrese de que todos los puntos de ajuste de velocidad externos están a cero.
- Asegúrese que de nadie trabaja en piezas del sistema que puedan verse afectadas por el encendido.
- Asegúrese de que cualquier otro equipamiento no se verá afectado negativamente por el encendido.
- Compruebe que las conexiones del estator del motor estén correctamente establecidas para conexiones en estrella o delta según sea necesario para la tensión de salida de la unidad.

Datos del motor

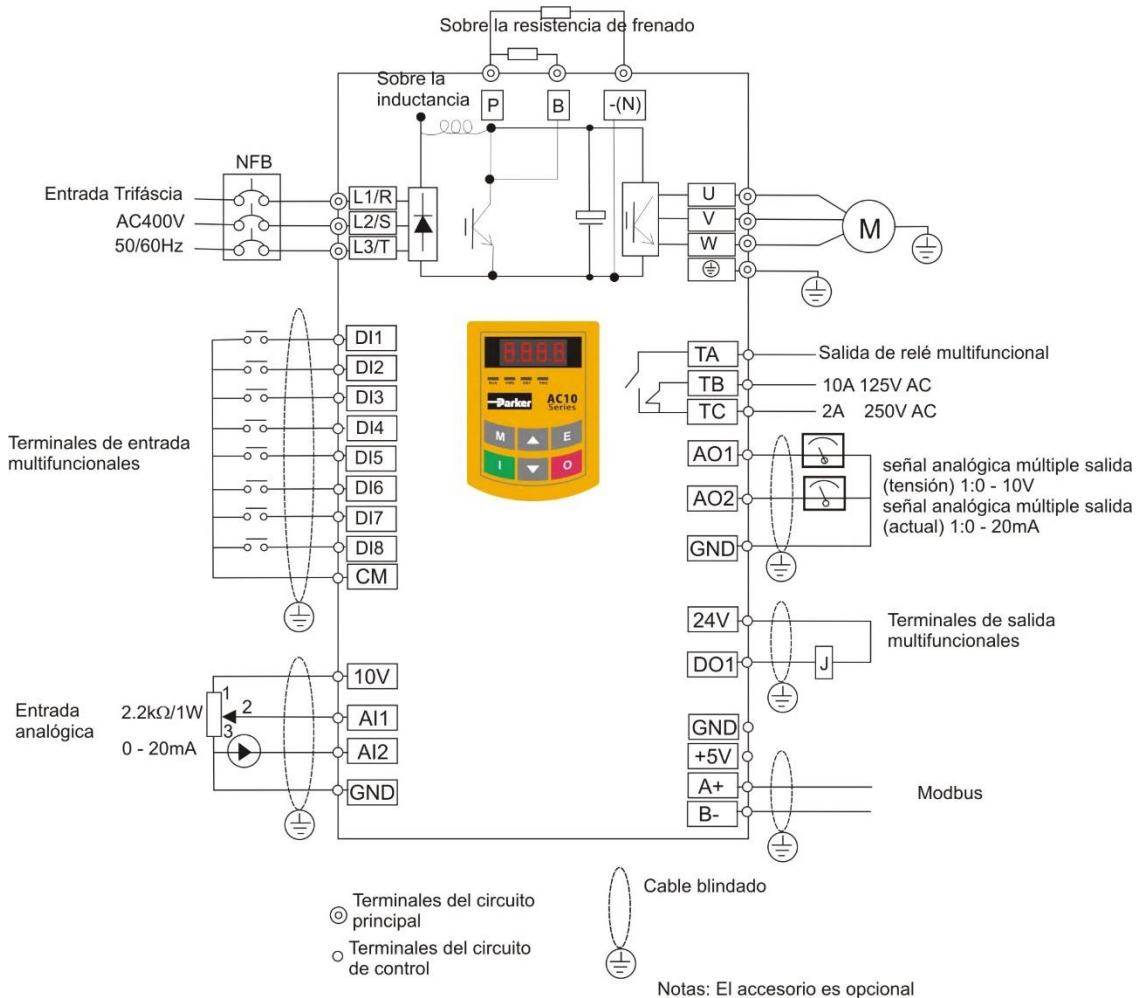
Antes de intentar configurar la unidad, necesitará cierta información acerca del motor. Dicha información puede encontrarse en la placa de características del motor. A continuación se indica la información que necesitará:

Voltios básicos
Frecuencia base
RPM base
Amperios a plena carga
Ningún amperio de carga (corriente de magnetización)
Conexión (en estrella o delta)

Conexiones básicas



0.2kW – 22kW Basic Wiring Diagram for Multi-stage speed control macro (PNP type)



30kW – 180kW Basic Wiring Diagram for Three-phase AC drives (NPN type)

Keypad



LED muestra corriendo frecuencia, intermitente frecuencia objetivo, el código de la función, el valor de parámetro o el código de fallo.

DIGIT (DGT) 4 LEDs indican el estado de trabajo. RUN mientras se ejecuta. FWD corriendo hacia adelante y FRQ cuando el MMI está mostrando la frecuencia.

Pulse el botón "M" para el código de función, y "E" para los parámetros originales. ▲ y ▼ se pueden utilizar para seleccionar los códigos de función y parámetros. Pulse el botón "E" de nuevo para confirmar. En el modo de control del teclado, ▲ y ▼ también se puede utilizar para el control dinámico de la velocidad. "I" y las teclas "O" de control de arranque y parada. Pulse la tecla "O" para restablecer convertidor en estado de fallo.

- Presione la tecla "M" para mostrar el código de función
- Pulse el botón "Up" o "Down" para seleccionar el código de función requerida
- Presione E para leer establecidos en el código de función de datos
- Pulse el botón "Up" o "Down" para modificar datos
- Pulse M para mostrar correspondiente frecuencia de destino mediante el parpadeo después de guardar los datos de conjunto
- Presione E para visualizar el código de función actual

Conjunto de Instrucciones

- **Seleccione el modo de aplicación. Ver Sección 9 para la descripción de la aplicación.**

- Pulse (M) hasta F100 se muestra en la pantalla
- Presione (O) hasta que sólo se ilumina el LED FWD (XOXX)
- Presione (UP) para acceder bloque de parámetros F2xx
- Presione (O) hasta que se iluminan los LED FWD y la DGT (XOOX)
- Presione (UP) hasta que la pantalla muestra F228
- Presione (E) para modificar el número de solicitud
- Utilice las teclas (DOWN) (UP) y para seleccionar la aplicación
- Presione (E) para confirmar su selección

F228	Application selection	0: Invalid 1: Basic speed control 2: auto/manual control 3: Stage speed control 4: Terminal control; 5: PID control;
------	-----------------------	---

La aplicación se establece de forma predeterminada, lo que permite el acceso a todos los parámetros consulte el manual completo para la descripción de todas las operaciones.

Para la aplicación dibujos de conexión por favor ver al final de esta guía de inicio rápido.

- **Ajuste el motor Paramaters**

F801 Rated power (kW)	Setting range: 0.75~1000	
F802 Rated voltage (V)	Setting range: 1~460	
F803 Rated current (A)	Setting range: 0.1~6500	
F804 Number of motor poles	Setting range: 2~100	4
F805 Rated rotary speed (rpm/min)	Setting range: 1~30000	
F810 Motor rated frequency (Hz)	Setting range: 1.0~590.0	50.00

- **Seleccione el modo de control**

El inversor AC10 tiene tres modos de control: control vectorial sin sensor (F106 = 0), el control VVVF (F106 = 2) y el control de vectores 1 (F106 = 3). En el modo de control VVVF, theAC10 inversor dispone de cuatro tipos de modos de compensación de par: Compensación Lineal (F137 = 0), la compensación Square (F137 = 1), la compensación multipunto definido por el usuario (F137 = 2), la compensación de par automático (F137 = 3)

- **Establecer los límites**

F111 Max Frequency (Hz)	Setting range: F113~590.0	Mfr's value: 50.00
F112 Min Frequency (Hz)	Setting range: 0.00~F113	Mfr's value: 0.50

- **Establecer las tarifas de rampa**

F114	First Acceleration Time (S)	Setting range: 0.1~3000	Mfr's value: subject to inverter model
F115	First Deceleration Time (S)		
F116	Second Acceleration Time (S)		
F117	Second Deceleration Time (S)		

- **Ajuste el modo de control de E / S**

El canal para el inversor a recibir órdenes de control (incluidas las de marcha, paro y de footing, etc) contiene 5 modos: 0. Teclado de membrana; 1. Control de la Terminal 2. Teclado + control de la terminal 3. Control Modbus; 4. Teclado terminal + + Modbus. Los modos de comando de control se pueden seleccionar a través de la F200 y F201 códigos de función.

F200	Source of start command	0: Keypad command; 1: Terminal command; 2: Keypad + Terminal; 3: MODBUS; 4: Keypad + Terminal + MODBUS
F201	Source of stop command	0: Keypad command; 1: Terminal command; 2: Keypad + Terminal; 3: MODBUS; 4: Keypad + Terminal + MODBUS

Para el control de la terminal por favor revise el selector switched para las entradas analógicas.

F203=2, se ha seleccionado el canal AI2			F203=1, se ha seleccionado el canal AI1	
Interruptor de codificación SW1			Interruptor S1	
Interruptor de codificación 1	Interruptor de codificación 2	Señal de entrada analógica AI2	+	-
DESACTIVADO	DESACTIVADO	Tensión de 0~5 V	0-10V Voltaje	-10 - +10V Voltaje
DESACTIVADO	ACTIVADO	0~10 V de tensión		
ACTIVADO	ACTIVADO	Corriente de 0~20 mA		

También puedes ver los selectores NPN, PNP para las entradas digitales.

Pruebe el inversor

Pruebe el variador desde el teclado o el control de la terminal, comprobando todas las condiciones son seguras.

Para funciones avanzadas, consultar el manual completo.

Para restablecer todos los paramaters a valores por defecto fijado F160 a = 1.

CUMPLIMIENTO

En el manual del producto AC30V se encuentra disponible una guía completa acerca del cumplimiento del producto.

Advertencia: cuando exista un conflicto entre EMC y los requisitos de seguridad, la seguridad del personal tendrá prioridad en todo momento.

Para poder utilizar este equipo, es necesario disponer de instrucciones detalladas acerca de la instalación y el funcionamiento que se proporcionan en el manual del producto destinado a utilizarse con este producto. Esta información se proporciona en el CD-ROM incluido en el embalaje en el que se ha empaquetado este producto. Deberá conservarse con el producto en todo momento.

Precaución: este es un producto de clase de distribución de venta restringida de acuerdo con el estándar IEC 61800-3. Está diseñado como "equipo profesional" tal y como se define en la normativa EN61000-3. Es necesario obtener el permiso correspondiente de las autoridades de suministro antes de efectuar la conexión al suministro de baja tensión.

En entornos domésticos, es posible que este producto provoque interferencias de radio, en cuyo caso, es posible que resulte necesario tomar medidas de mitigación complementarias.

Este equipo contiene piezas sensibles a descargas electrostáticas. Tenga en cuenta las precauciones de control estático a la hora de manipular, instalar y reparar este producto.

Emisiones de compatibilidad electromagnética

Las emisiones radiadas cumplen con la categoría C1, C2 y C3 de la normativa EN61800-3 cuando se instala de acuerdo con las instrucciones facilitadas en el Capítulo 4 (consulte la sección "montaje de la unidad").

Las emisiones conducidas cumplen con la categoría C3 y C2 de la normativa EN61800-3 sin filtro externo y con la categoría C1 cuando se encuentra instalada con un filtro externo especificado.

La inmunidad cumple con los requisitos de la normativa EN61800-3 para equipos destinados a utilizarse en el segundo entorno.

Conexiones de compatibilidad electromagnética

Para cumplir los requisitos de compatibilidad electromagnética, "conexión a tierra de 0V/señal" debe conectarse a tierra por separado. Cuando se utiliza un número determinado de unidades en un sistema, estos terminales deben conectarse juntos en un punto de conexión a tierra único y local.

Las conexiones de control y de señal deben establecerse mediante cables blindados, con el blindaje conectado únicamente al extremo de la VSD. No obstante, si el ruido de alta frecuencia continúa siendo un problema, conecte el blindaje a tierra en el extremo distinto de la VSD a través de un condensador de capacidad de 0,1µF.

Nota: Conecte los blindajes de control y de señal (en el extremo de la VSD) al punto de conexión a tierra de protección de la VSD, y no a los terminales de la placa de control.

Los cables del motor deben disponer de un enlace de 360° para garantizar la obtención de una conexión de baja impedancia, de acuerdo con el opuesto de la ilustración;

Planificación de la colocación de los cables

Utilice cables de motor de longitud lo más corta posible.

Utilice una sola longitud de cable para establecer la conexión con un punto de intersección en forma de estrella para alimentar a varios motores.

Mantenga los cables que generan ruido eléctrico y los sensibles a la electricidad separados. Si esto no es posible, los cables paralelos deben separarse en al menos 0,25 metros, con cables de más de 10 metros, la separación debe incrementarse de manera proporcional.

Los cables sensibles a la electricidad deberán cruzarse con los que generan ruido eléctrico formando un ángulo de 90°.

No instale nunca cables sensibles cerca de ni en paralelo al motor, a la conexión de CC ni al circuito de corte de frenada a ninguna distancia.

No instale nunca cables de suministro, de conexión de CC ni del motor dentro del mismo conjunto que los cables de señal/control y retroalimentación, aunque estén blindados.

Asegúrese de que los cables de entrada y salida del filtro de compatibilidad electromagnética estén instalados por separado y que no se unan en el filtro.

Chapter 7 Svenska

SÄKERHETSINFORMATION

MISSTAG ELLER FELAKTIGA VAL ELLER OLÄMPLIG ANVÄNDNING AV DEN PRODUKT SOM BESKRIVS HÄR ELLER NÄRLIGGANDE UTRUSTNING KAN ORSAKA DÖDSFALL, PERSONSKADA OCH SKADA AV EGENDOM.

Det här dokumentet och annan information från Parker-Hannifin Corporation, dess dotterbolag och auktoriserade distributörer tillhandahåller produkt- eller systemalternativ för vidare undersökning av användare med tekniska expertkunskaper.

Användaren är, genom sin egen analys och testning, ensam ansvarig för att göra det slutgiltiga valet av system och komponenter och för att alla krav vad avser tillämpningens prestanda, uthållighet, underhåll, säkerhet och varningar uppfylls. Användaren måste analysera alla aspekter av tillämpningen samt följa såväl tillämpbara branschnormer som produktinformation i aktuell produktkatalog och i annat material som Parker, dess dotterbolag eller godkända distributörer tillhandahåller.

Såvida Parker, dess dotterbolag, eller auktoriserade distributörer tillhandahåller komponent- eller systemalternativ baserade på data eller specifikationer från användaren, är det användarens ansvar att avgöra om sådana data och specifikationer är lämpliga och tillräckliga för alla tillämpningar och användningsområden som komponenterna eller systemen rimligtvis kan komma att användas för.

Krav

IMPORTANT: VIKTIGT! Läs den här information INNAN du installerar utrustningen.

WARNING! – Användningen av den här utrustningen kräver detaljerade installations- och driftsanvisningar som återfinns i den installations-/driftshandbok som är avsedd att användas tillsammans med produkten. Informationen tillhandahålls på CD-ROM, eller andra lagringsmedier som medföljer i enhetens förpackning. Informationen ska alltid förvaras tillsammans med enheten. En utskrift av informationen kan beställas från den leverantör som anges på produktetiketten.

Avsedda användare

Den här broschyren ska finnas tillgänglig för alla personer som ska installera, konfigurera eller serva den utrustning som beskrivs här eller utföra en närliggande åtgärd.

Avsikten med informationen är att belysa frågor som rör säkerhet och EMC samt att hjälpa användaren att få ut mesta möjliga av utrustningen.

Tillämpningsområde

Den utrustning som beskrivs här är avsedd att användas för att styra hastigheten på industrimotorer, asynkronmotorer och synkrona servomotorer. permanentmagnetiserade.

Personal

Installation, drift och underhåll av utrustningen måste utföras av kompetent personal. Kompetent personal är någon som har de erforderliga tekniska kvalifikationerna och känner till all säkerhetsinformation och alla vedertagna säkerhetsrutiner som rör installationsprocessen, driften och underhållet av utrustningen samt alla risker som sådant arbete medför.

Produktvarningar

	FARA Risk för elektrisk stöt		Obs! Heta ytor		Försiktighet Se dokumen- tationen		Jord Skyddande ledningsterminal
--	------------------------------------	---	-------------------	---	---	---	---------------------------------------

Faror

FARA! - Om du inte beaktar följande kan det orsaka skador

1. Utrustningen kan sätta liv i fara genom exponering för roterande maskindelar och hög spänning.
2. Utrustningen måste alltid vara jordad pga. den höga jordläckageströmmen. Enhetens motor måste vara ansluten till lämplig säkerhetsjord.
3. Se till att alla inkommande strömförsörjningar är väl isolerade innan utrustningen tas i bruk. Tänk på att fler än en strömförsörjning kan vara ansluten till enheten.
4. Det kan finnas farlig spänning kvar vid strömterminaler (motorutgång, strömångsfaser, likströmsbuss och -bromschopper, i förekommande fall) även när motorn står still eller har stoppats.
5. För mätningar ska endast mätare som uppfyller IEC 61010 användas (CAT III eller högre). Börja alltid med den högsta klassningen. CAT I- och CAT II-mätare får inte användas.
6. Ge enhetens kondensatorer minst 5 minuter för urladdning till säkra spänningsnivåer (<50 V). Använd angiven mätare med mätkapacitet på upp till 1000 V DC & AC RMS för att bekräfta att spänningen är lägre än 50 V mellan alla strömterminaler och jorden.
7. Om inte annat anges får produkten INTE tas isär. Om ett fel skulle inträffa måste enheten returneras. Se "repair and maintainance".
8. **WARNING** – Om säkringen före enheten har löst ut skall enheten undersökas eller helt bytas ut.

VARNING! - Om du inte beaktar följande kan det orsaka personskador eller skador på utrustningen

SÄKERHET

Om det finns en konflikt mellan EMC- och säkerhetskraven ska den personliga säkerheten alltid prioriteras.

- Kontrollera aldrig högspänningsmotståndet i kablagen utan att först koppla bort enheten från den krets som testas.
- Se till att ventilationen är fullgod och använd skydds- och säkerhetssystem för att förhindra att personer eller utrustningen skadas.
- Alla styr- och signalterminaler uppfyller SELV, dvs. är dubbelt isolerade. Se till att allt externt kablage är klassat för systemets högsta spänning.
- All exponerad metall i växelriktaren skyddas av grundisolering och är ansluten till säkerhetsjord.
- När du byter ut en enhet i en tillämpning och innan den tas i bruk igen måste alla användardefinierade parametrar för driften ställas in korrekt.
- Termalsensorerna i motorn måste ha minst grundisolering.
- Vi rekommenderar inte att jordfelsbrytare (RCD) användas med produkten, om det är ett krav får bara (RCD) typ B användas.
- Den AC10-serien är inte en säkerhetskomponent eller säkerhetsrelaterade produkter

EMC

- I en bostadsmiljö kan produkten orsaka radiostörningar; i så fall måste särskilda åtgärder vidtas.
- Utrustningen innehåller delar som är känsliga för elektrostatisk urladdning. Använd antistatiska skyddsåtgärder när produkten hanteras, installeras och servas.
- Det här är en produkt som ingår i klassen varor med begränsad försäljningsdistribution enligt IEC 61800-3. Den klassas som "professionell utrustning" enligt definitionen i SS-EN 61000-3-2. Tillstånd från behörig myndighet ska inhämtas innan utrustningen ansluts till lågspänningsförsörjning.

VARNING! – Borttagning/montering av kontrollenhet

Isolera försörjningen innan du ansluter eller kopplar bort kontrollenheten från nätaggregatet.

VARNING!

RISK VID OLIKA TILLÄMPNINGAR

- De specifikationer, processer och kretsar som beskrivs här är endast för vägledning och kan behöva anpassas till den aktuella tillämpningen. Vi kan inte garantera att den utrustning som beskrivs här är lämplig för den aktuella tillämpningen.

RISKBEDÖMNING

I samband med fel, strömförlust eller oönskade driftförhållanden kanske inte enheten fungerar som avsett.

Det gäller i synnerhet följande:

- Lagrad energi kanske inte urladdas till säkra nivåer så snabbt som angetts och kan finnas kvar även sedan enheten verkar vara avstängd
- Motorns rotationsriktning kanske inte kan styras
- Motorns hastighet kanske inte kan styras
- Motorn kan ha blivit strömförande

En enhet är en komponent i enhetssystemet som kan påverka dess drift eller effekter när ett fel inträffat. Man måste ta med följande i beräkningen:

- Lagrad energi
- Bortkopplingar av strömförsörjningen
- Logisk ordningsföljd

SNABBSTART

INNAN DU STARTAR

I det här dokumentet beskrivs de steg som ingår i en normal start av AC10-enheten. Enheten ska startas av en kvalificerad eltekniker som behärskar frekvensomriktare och hur de kan användas. Detaljerad information om installation, säkerhet och tillämpningar finns i produkthandboken för AC10.

Se till att alla lokala elnormer uppfylls under installationen. Kontrollera att alla strömförande delar är täckta för att skydda mot elektriska stötar och se till att motorn inte oavsiktligt börjar rotera, vilket kan orsaka skador.

I detta dokument utgår vi från att enheten redan är installerad på avsedd plats och att alla relevanta installationsrutiner har fullföljts.

OM DENNA SNABBSTART

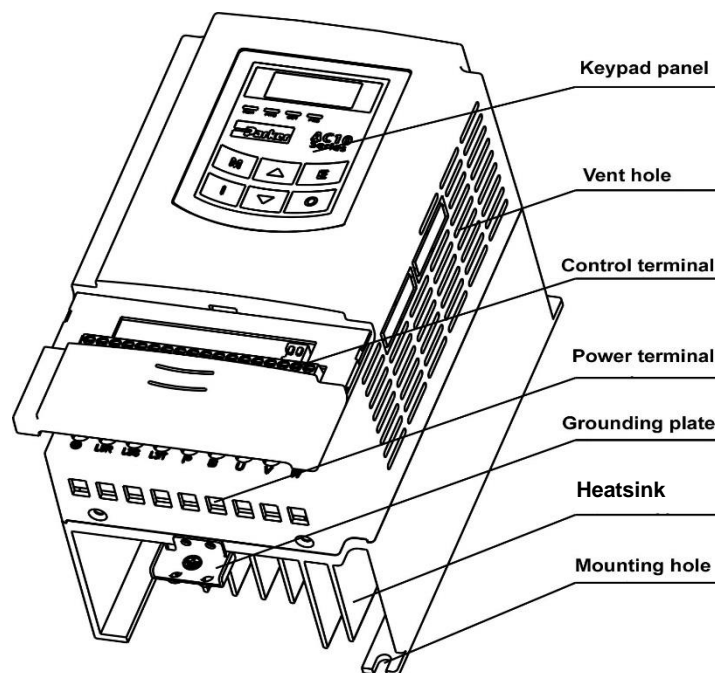
Denna Snabbstart är till för att:

- Bekanta dig med enhetens terminaler och drift.
- Tillhandahålla ***grundläggande** installationsinformation och en rutin för snabbinställning av enheten.
- Visa hur du använder funktionen för automatjustering (Autotune) och startar motorn.

I denna Snabbstart görs följande antaganden:

- Du är behörig tekniker med erfarenhet av att installera den här typen av utrustning.
- Du är förtrogen med relevanta standarder och lokala elnormer (som äger företräde).
- Du har läst och förstått den säkerhetsinformation som inleder denna Snabbstart.
- Du inser att den här broschyren bara innehåller information på grundnivå och att du kan behöva använda produktmanualen för AC10 för att fullfölja installationen.

Produktöversikt



Produktkod – se sidan 1-4

Sortiment - se sidan 1.5

Starta enheten

- Läs avsnittet om säkerhet i början av Snabbstarten.
- Se till att alla lokala elektriska normer följs.
- Kontrollera att utrustningen inte är skadad.
- Sök efter lösa kabeländar, filspån, rester från borrning etc. i enheten och systemet.
- Kontrollera systemets alla ledningskretsar: ström, kontroll, motor och jord.
- Se till att inte motorrotation i någon riktning kan orsaka skador på utrustning eller personer. Koppla bort belastningen från motoraxeln, om möjligt.
- Kontrollera att alla externa startsignaler är frånslagna. Kontrollera att alla externa hastighetsinställningar står på noll.
- Kontrollera att ingen arbetar med någon annan del av systemet som påverkas av starten.
- Kontrollera att annan utrustning inte påverkas negativt av starten.
- Kontrollera att motor-/statoranslutningarna är korrekt gjorda för kopplingar av typen stjärna eller delta, beroende på vad som krävs för enhetens utgående spänning.

Motordata

Innan du konfigurerar enheten behöver du en del motorinformation. Du hittar den på motorns märkplåt. Den information som du behöver hittar du nedan:

Märkspänning

Märkfrekvens

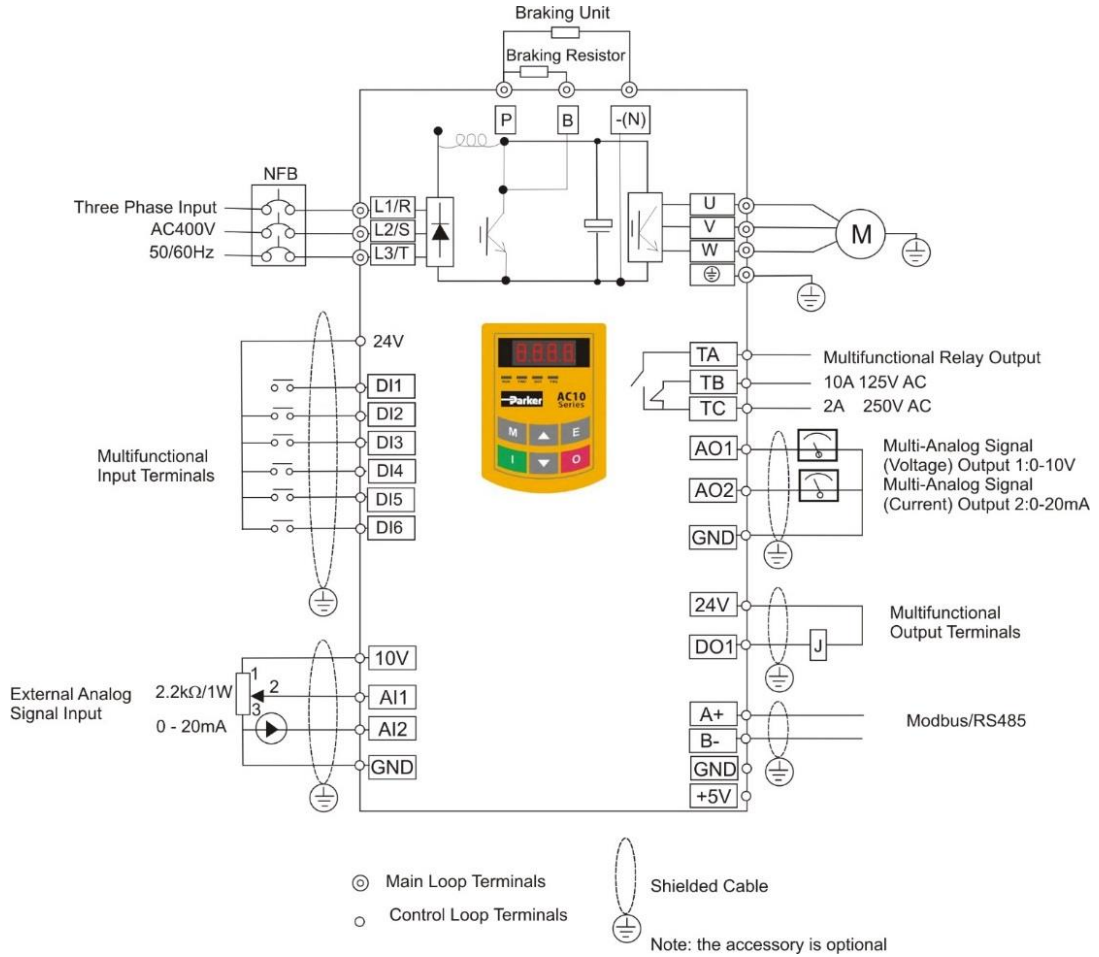
Märkvarvtal-RPM

Ström vid full belastning

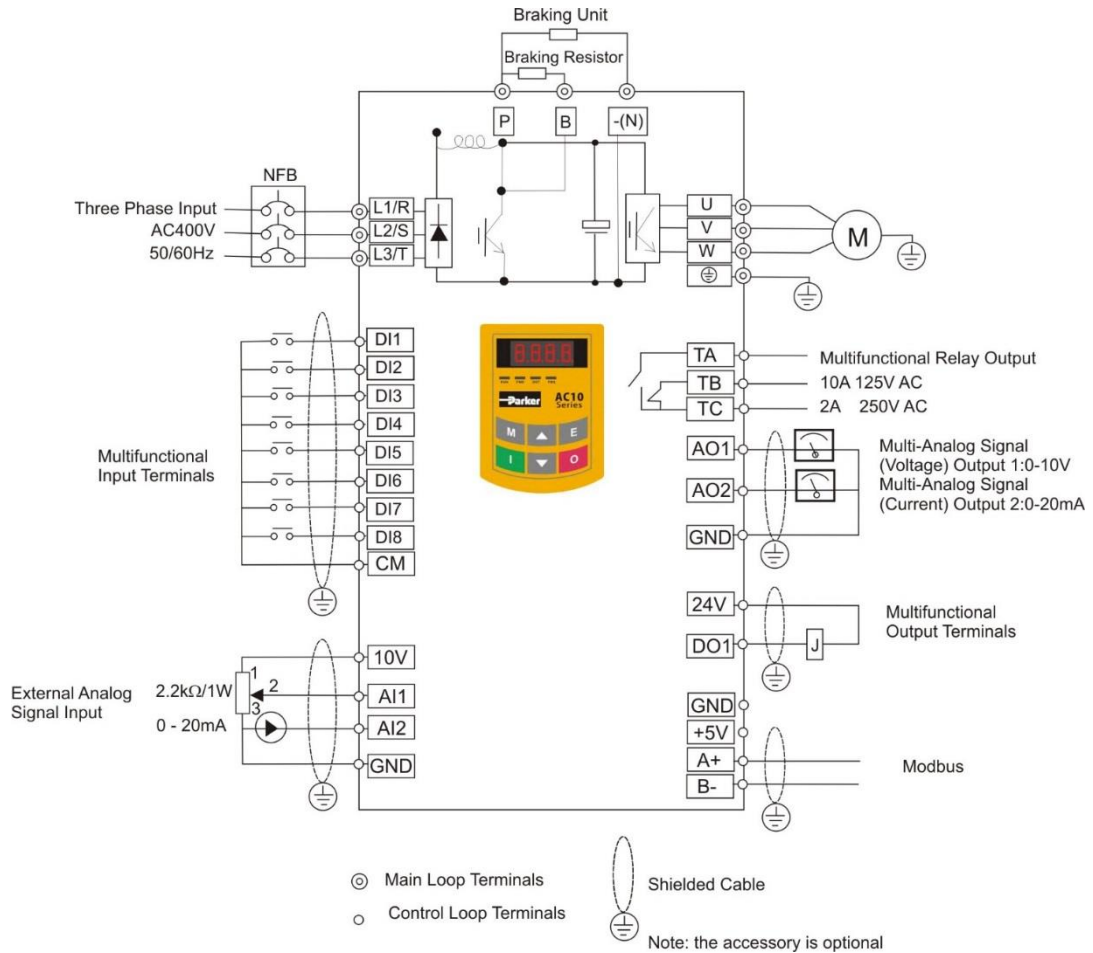
Ström utan belastning (magnetiseringsström)

Anslutning (stjärna eller delta)

Grundläggande anslutningar



0.2kW – 22kW Basic Wiring Diagram for Multi-stage speed control macro (PNP type)



30kW – 180kW Basic Wiring Diagram for Three-phase AC drives (NPN type)

Keypad



LED visar kör frekvens, blinkande målfrekvens, funktionskod, parametervärdet eller fel code.

DIGIT (DGT) 4 lysdioder indikerar sysselsättningsstatus. KÖR medan du kör. FWD kör framåt och FRQ när MMI visar frekvensen.

Tryck på "M" för kod för funktionen, och "E" för original parametrar. ▲ och ▼ knapparna kan användas för att välja funktions koder och parametrar. Tryck på "E" igen för att bekräfta. I det läget av knappsets kontroll, ▲ och ▼ knapparna kan också användas för dynamisk hastighetskontroll. "I" och "O" nycklar styr start och stopp. Tryck på "O" för att återställa omriktaren i feltillstånd.

Tryck på "M" för att visa funktionskod

Tryck på "Up" eller "Down" för att välja önskad funktion kod

Tryck på E för att läsa data som i funktionskoden

Tryck på "Up" eller "Down" för att ändra data

Tryck på M för att visa motsvarande mål frekvens genom att blinka efter att ha sparat den inställda uppgifter

Tryck på E för att visa aktuell funktionskod

Set-Up Instruktioner

- **Välj programläge. Se avsnitt 9 för tillämpningen beskrivning.**

Tryck (M) tills F100 visas på displayen

Tryck (O) tills bara FWD är tänd (XOXX)

Tryck (UP) för att komma parameterblock F2xx

Tryck (O) tills både FWD och DGT lysdioder lyser (XOOX)

Tryck (UP) tills displayen visar F228

Tryck på (E) för att redigera ansökningsnummer

Använd (UPP) och (NED) för att välja programmet

Tryck på (E) för att bekräfta din selectionUse på (UP) och (NED) för att välja programmet

F228	Application selection	0: Invalid 1: Basic speed control 2: Auto/manual control 3: Stage speed control 4: Terminal control; 5: PID control;
------	-----------------------	---

Ansökan är satt som standard, ger detta tillgång till alla paramaters finns i hela manualen för beskrivning av all verksamhet.

För ansökan anslutningsritningar finns i slutet av denna snabbstartsguide.

- **Ställ in motor paramaters**

F801	Rated power (kW)	Settina range: 0.75~1000	
F802	Rated voltage (V)	Settina range: 1~460	
F803	Rated current (A)	Settina range: 0.1~6500	
F804	Number of motor poles	Settina range: 2~100	4
F805	Rated rotary speed (rmp/min)	Settina range: 1~30000	
F810	Motor rated frequency (Hz)	Settina range: 1.0~590.0	50.00

- **Välj inställning**

Den AC10 inverter har tre styrlägen: Sensorlös vektorstyrning (F106 = 0), VVVF kontroll (F106 = 2) och vektorstyrning 1 (F106 = 3). Under VVVF styrsätt, har theAC10 inverter fyra typer av kompensationsmomentlägen : Linjär ersättning (F137 = 0); Square ersättning (F137 = 1), Användardefinierad flerpunktskompensation (F137 = 2), kompensation Auto vridmoment (F137 = 3)

- **Sätter gränserna**

F111	Max Frequency (Hz)	Setting range: F113~590.0	Mfr's value: 50.00
F112	Min Frequency (Hz)	Setting range: 0.00~F113	Mfr's value: 0.50

- **Ställ in ramp priser**

F114 First Acceleration Time (S)	Setting range: 0.1~3000	Mfr's value: subject to inverter model
F115 First Deceleration Time (S)		
F116 Second Acceleration Time (S)		
F117 Second Deceleration Time (S)		

- **Ställ in I / O-styrning**

Kanalen för växelriktaren att ta emot styrkommandon (inklusive start, stopp och jogging, etc.) innehåller fem lägen: 0. Panelstyrning, 1. Terminal kontroll, 2. Tangentbord + terminal kontroll 3. Modbus kontroll, 4. Tangentbord + terminal + Modbus. Lägena för kommandokontroll kan väljas via funktionskoder F200 och F201.

F200	Source of start command	0: Keypad command; 1: Terminal command; 2: Keypad + Terminal; 3: MODBUS; 4: Keypad + Terminal + MODBUS
F201	Source of stop command	0: Keypad command; 1: Terminal command; 2: Keypad + Terminal; 3: MODBUS; 4: Keypad + Terminal + MODBUS

För terminalkontroll kontrollera väljaren switched för de analoga ingångarna.

F203=2, channel AI2 is selected			F203=1, channel AI1 is selected	
SW1 coding switch			S1 toggle switch	
Coding Switch 1	Coding Switch 2	Analog Input AI2 signal	+	-
OFF	OFF	0~5V voltage	0 ~ 10V voltage	-10 ~ +10V voltage
OFF	ON	0~10V voltage		
ON	ON	0~20mA current		

Kontrollera även brytare NPN, PNP väljaren för de digitala ingångarna.

Provkör omriktaren

Provkör omriktaren från knappsetsen eller terminal kontroll, kontrollera alla villkor är säkra.

För avancerade funktioner se hela manualen.

För att återställa alla paramaters till standardvärden ställa F160 till = 1.

INSTALLATIONSKRAV

Heltäckande information om produktens installation finns i produktmanualen för AC30V.

Varning! – Om det finns en konflikt mellan EMC- och säkerhetskraven ska den personliga säkerheten alltid prioriteras.

För att kunna använda den här utrustningen krävs de detaljerade anvisningar om installation och drift som finns i produktmanualen. Du hittar informationen på den CD-ROM som medföljer i produktförpackningen. Den ska alltid förvaras tillsammans med produkten.

Försiktighet!: Det här är en produkt som ingår i klassen varor med begränsad försäljningsdistribution enligt IEC 61800-3. Den klassas som "professionell utrustning" enligt definitionen i SS-EN 61000-3. Tillstånd från behörig myndighet ska inhämtas innan utrustningen ansluts till lågspänningsförsörjning.

I en bostadsmiljö kan produkten orsaka radiostörningar; i så fall måste särskilda åtgärder vidtas.

Utrustningen innehåller delar som är känsliga för elektrostatisk urladdning. Använd antistatiska skyddsåtgärder när produkten hanteras, installeras och servas.

EMC-emissioner

Strålningsemissionerna uppfyller SS-EN 61800-3-kategorierna C1, C2 och C3 vid installation enligt anvisningarna i kapitel 4; se avsnittet om montering av enheten.

Ledningsemissionerna uppfyller SS-EN 61800-3-kategorierna C3 och C2 utan externt filter och kategori C1 med specificerat externt filter.

Immuniteten uppfyller kraven i SS-EN 61800-3 för utrustning avsedd för den andra miljön.

EMC-anslutningar

För att uppfylla EMC-kraven ska "0 V/signal jord" jordas separat. Om flera enheter används i ett system ska dessa terminaler anslutas tillsammans till en enda jordanslutning.

Kontroll- och signalanslutningar ska göras med skärmade kablar, där avskärmningen ansluts bara i VSD-änden. Vid fortsatta problem med högfrekvent brus kan dock avskärmningen i den andra änden jordas med en kondensator på 0,1 µF.

Obs! Anslut avskärmningen för kontroll- och signalanslutningarna (VSD-änden) till skyddsjordspunkten för VSD.

Motorkablarna ska ha vara fästa i 360° för att säkerställa att anslutningarna får en låg impedans; se figuren på här intill ;

Planera kabeldragningen

Använd kortast möjliga motorkablar.

Separera elektriskt brusiga och känsliga kablar. Om detta inte är möjligt ska avståndet mellan parallella kablar vara minst 25 cm i dragningar som överstiger 10 meter; öka sedan avståndet proportionerligt.

Känsliga kablar ska dras vinkelrätt över kablar med brus.

Känsliga kablar får aldrig dras nära kretsarna för motorn, likströmskopplingen eller bromschopporn.

Kablarna för strömförsörjningen, likströmskopplingen eller motorn får inte dras tillsammans med signal-/kontrollkablar och återkopplingskablar även om de är skärmade.

Se till att ut- och ingående kablar för EMC-filter dras separat och inte korsas över filtret.

Chapter 8 Türkçe

GÜVENLİK BİLGİSİ

BURADA ANLATILAN ÜRÜNLERİN BOZULMASI VEYA YANLIŞ SEÇİMİ VEYA YANLIŞ KULLANIMI ÖLÜME, YARALANMAYA VE MADDİ ZARARA YOL AÇABİLİR.

Bu doküman ve Parker-Hannifin şirketi, ortakları ve yetkili distribütörlerinden verilen diğer bilgiler, teknik bilgiye sahip kullanıcılar tarafından incelenmek için ürün veya sistem seçenekleri sunar.

Kullanıcı, kendi analiz ve testlerini göz önüne alarak, uygulamanın tüm performans, dayanıklılık, bakım, güvenlik, ve uyarı gereksinimleri karşılanacak şekilde sistem ve bileşenlerin seçiminde son kararı verme sorumluluğuna sahiptir. Kullanıcı, uygulamayı tüm yönlerinden incelemeli, uygulanabilen endüstriyel standartları izlemeli, ve ürün ile ilgili güncel ürün kataloğu veya Parker, ortakları veya yetkili distribütörlerinin sağladığı herhangi diğer materyallerdeki bilgileri takip etmelidir.

Parker, ortakları veya yetkili distribütörlerinin, kullanıcı tarafından belirlenmiş bilgi ve spesifikasyonların ışığında bileşen veya sistem seçenekleri sağladığı durumlarda; bilgi ve spesifikasyonların, bütün uygulamalar ve bileşen veya sistemlerin öngörülebilir tüm kullanımları için uygun ve yeterli olduğunu belirleme sorumluluğu kullanıcıya aittir.

Gereksinimler

ÖNEMLİ: Lütfen bu bilgileri ekipman kurulumu ÖNCESİNDE okuyun.

UYARI – Bu ekipmanın çalıştırılması için, bu ürün için hazırlanmış Kurulum/Çalışma kılavuzu içerisinde yer alan detaylı kurulum ve çalışma talimatları gerekmektedir. Bu bilgiler, bu cihazın paketlenildiği ambalaj içerisinde dahil edilmiş CD-ROM, disket, veya başka bir depolama cihazında bulunmaktadır. Depolama cihazı her daim ürünle beraber bulundurulmalıdır. Bu bilginin basılı hali, ürün etiketinde belirtilen tedarikçi'den sipariş edilebilir.

Kastedilen Kullanıcılar

Bu kitapçık, burada anlatılan ekipmana kurulum, ayar veya bakım yapacak, veya herhangi diğer bir operasyonu gerçekleştirecek her kişide mevcut olmalıdır.

Verilen bilgiler ile, güvenlik konularını ve EMC değerlendirmelerini vurgulamak, ve kullanıcının ekipmandan en yüksek faydayı sağlaması amaçlanmaktadır.

Uygulama Alanı

Anlatılan ekipman, AC indüksiyon motorları veya AC senkron makinelerde endüstriyel motor hızı kontrolü için kullanılması için tasarlanmıştır.

Personel

Ekipmanın kurulum, çalışma ve bakımı, yetkin bir personel tarafından yapılmalıdır. Yetkin bir personel, teknik açıdan nitelikli ve bilgili olup, tüm güvenlik bilgileri ve varolan güvenlik uygulamaları; ekipmanın kurulum, çalışma, ve bakımı; ve varolan tüm tehlikeler ile aşına olan kimsedir.

Ürün Uyarıları

	TEHLİKE Elektrik Şok Riski		Dikkat - sıcak yüzeyler		Dikkat Dokümantasyona başvurun		Toprak/Şase Korunmalı İletken Terminal
---	-------------------------------	---	-------------------------	---	-----------------------------------	---	---

Tehlikeler

TEHLİKE! – Aşağıdakileri gözardı etmek yaralanmalara yol açabilir

1. Bu ekipman dönen makineler ve yüksek voltajlarla hayatı tehlikeye sebep olabilir.
2. Yüksek toprak sızıntı akımları sebebiyle ekipman sabit topraklanmalıdır, ve sürücü motoru uygun bir şaseye bağlanmalıdır.
3. Ekipman üzerinde çalışmaya başlamadan önce tüm giriş beslemelerinin izole edildiğinden emin olun. Sürücüye birden fazla besleme bağlı olabileceğini unutmayın.
4. Motor sabitken veya durdurulduğunda, güç terminallerinde (motor çıkışı, besleme giriş fazları, DC bus ve mevcutsa fren) hala tehlikeli seviyelerde voltaj olabilir.
5. Ölçümler için yalnızca IEC 61010 (CAT III veya daha yüksek) uyumlu bir birim ölçer kullanın. Her zaman en yüksek aralık ile ölçmeye başlayın. Bu üründe CAT I ve CAT II ölçer kullanılmamalıdır.
6. Sürücünün kapasitörlerinin güvenli voltaj seviyelerine (<50V) kadar boşalması için en az 5 dakika (30kW üzeri için 20 dakika) zaman tanıyın. Bütün terminaller ve toprak arasında 50V'dan daha az gerilim olduğundan emin olmak için 1000V DC & AC rms'e kadar ölçüm yapabilen tanımlanmış ölçeri kullanın.
7. Aksi söylenmedikçe, bu ürün parçalarına AYRILMAMALIDIR. Bir hata durumunda sürücü iade edilmelidir. "Rutin Bakım ve Tamir" e danışın.
8. UYARI – Branşman hattı koruma cihazının açılması hatalı bir akımın engellendiğinin göstergesi olabilir. Yangın veya elektrik şoku riskini azaltmak için akım taşıyan parçalar ve kontrolcünün diğer bileşenleri incelenmeli ve zarar gördüyse değiştirilmeli.

UYARI! – Aşağıdakileri gözardı etmek yaralanmalara veya cihazın zarar görmesine yol açabilir

GÜVENLİK

EMC ve Güvenlik gereksinimleri arasında çakışma olduğunda personel güvenliği öncelik almalıdır.

- Sürücüyü test edilecek olan devreden ayırmadan asla kablolamada yüksek voltaj direnç kontrolleri gerçekleştirilmeyin.
- Havalandırma sağlamak yeterli olmakla beraber, yaralanma veya ekipmana zarar gelmesini önlemek amacıyla koruma ve/veya ek güvenlik sistemleri sağlayın.
- Tüm kontrol ve sinyal terminalleri SELV'dir (çok düşük güvenlik gerilimi), ö. çift yalıtımla kaplanmıştır. Tüm dış kablolanmanın en yüksek sistem voltajına göre seviyelendirildiğinden emin olun.
- İnvörtörün içindeki tüm açıkta kalmış metal bileşenler standartlara uygun yalıtım ve şase toprak bağlantısı ile korunmaktadır.
- Uygulamadaki bir sürücü değiştirilirken, kullanıma dönmeye önce, ürünün çalışması için kullanıcı tanımlı parametrelerin doğru girildiğinden emin olun.
- Motorun içinde bulunan termal sensörler en azından standart bir yalıtıma sahip olmalıdır.
- RCD'lerin (kaçak akım röleleri) bu ürünle kullanılması tavsiye edilmez; kullanımı şart olduğu uygulamalarda yalnızca B Tipi RCD'ler kullanılmalıdır.
- AC10 serisi bir safety (güvenlik) bileşeni veya safety ile ilgili bir ürün değildir.

EMC

- Evsel bir ortamda bu ürün radyo enterferansına sebep olabilir, böyle durumlarda ek azaltım önlemleri alınması gerekebilir.
- Bu ekipman electrostatik boşalma'ya (ESD) duyarlı parçalar içerir. Bu ürünün elleçleme, kurulum ve bakımı sırasında statik kontrol önlemleri alın.
- Bu ürün, IEC 61800-3'e göre kısıtlı satış dağıtım sınıfına aittir. EN61000-3-2'de tanımlandığı üzere "Profesyonel Ekipman" olarak belirlenmiştir. Düşük voltaj beslemeye bağlantı kurulmadan tedarik yetkilisinin izni alınmalıdır.

UYARI! – Kontrol Ünitesi Çıkarılması/Takılması

Kontrol ünitesini güç kütlesine takmadan veya çıkarmadan önce beslemeyi izole edin.

DİKKAT!

UYGULAMA RİSKİ

- Burada anlatılan spesifikasyonlar, işlemler ve devreler yalnızca yol göstermek içindir ve kullanıcının kendi uygulamasına uyarlanması gerekebilir. Bu ürünün her tür uygulama için uygunluğunu garanti edemeyiz.

RİSK ÖLÇÜMÜ

Hata durumlarında, güç kaybında, veya istenmemiş çalışma durumlarında, sürücü gerektiği gibi çalışmayabilir.

Özellikle:

- Depolanmış enerjinin güvenli seviyelere kadar boşalması söylenen kadar çabuk olmayabilir, ve sürücü kapalı görünürken bile elektrik içerebilir.
- Motorun dönüş yönü kontrol edilemeyebilir.
- Motorun hızı kontrol edilemeyebilir.
- Motor enerjilendirilmiş olabilir.

Sürücü, sürücü sisteminde bulunan bir bileşendir ve sistemden etkilenebilir, hata durumunda farklı sonuçlar alınabilir.

Aşağıdakilerin değerlendirilmesi gerekmektedir:

- Depolanmış enerji
- Besleme bağlantısı kopması
- Sıralama mantığı (sequencing logic)

HIZLI BAŞLANGIÇ

BAŞLAMADAN ÖNCE

Bu belge, AC10 sürücüsünün ilk kurulumu için gerekli aşamaları kapsar. Sürücü kurulumları AC sürücüler ve uygulamaları ile tecrübeye sahip yetkin elektrik teknisyenleri tarafından gerçekleştirilmelidir. Detaylı kurulum, güvenlik ve uygulamalar için Ürün kılavuzuna bakınız.

Sürücü kurulumu yapılırken tüm yerel yönetmeliklere uygun olduğundan emin olunuz. Bütün parçaların elektriksel şok tehlikesine karşı kaplı olduğuna ve motorun beklenmedik bir hareketinin fiziksel zarar veya yaralanmalara sebep olmayacağına emin olunuz.

Bu belge, sürücünün kullanılacağı yere kurulduğunu ve bütün kurulum prosedürlerinin izlendiğini varsaymaktadır.

Bu Hızlı Başlangıç Hakkında

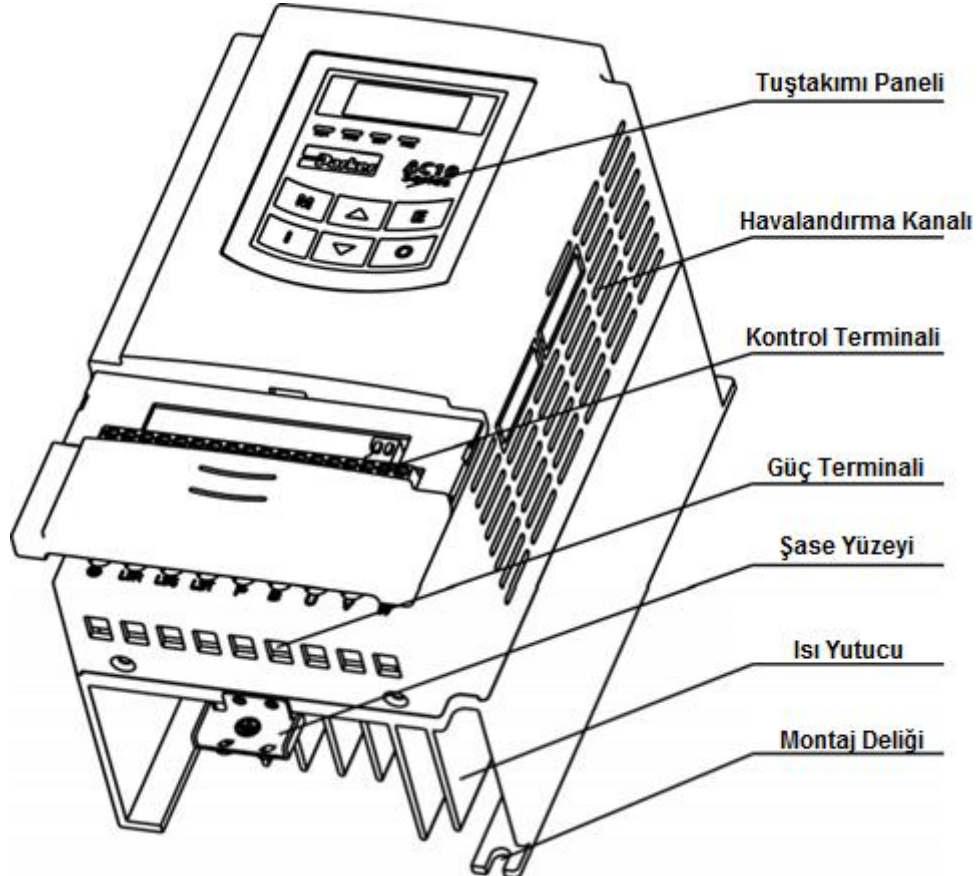
Bu Hızlı Başlangıç:

- Ünitenin terminalleri ve operasyonu hakkında bilgi verir.
- Basit montaj ve çabuk kurulum prosedürünü anlatır.
- Sürücüyü nasıl Autotune edebileceğinizi ve motoru çalıştırabileceğinizi gösterir.

Hızlı Başlangıç aşağıdakileri varsayar:

- Yetkin bir teknisyen olduğunuzu ve bu tür ekipmanların kurulumuyla ilgili tecrübe sahibi olduğunuzu.
- Konu ile ilgili standartlar ve yerel yönetmelikler ile ilgili bilgi sahibi olduğunuzu.
- Bu Hızlı Başlangıç'ın başında verilen Güvenlik Bilgilerini okuyup anladığınızı.
- Bu kılavuzun yalnızca temel seviyede bilgiler barındırdığı ve kurulumu tamamlamak için AC10 Ürün Kılavuzu'na bakmanız gerekebileceğinin farkında olduğunuzu.

Ürüne Genel Bakış



Ürün Kodu

10 G - 1 1 - 0015- B F

F: Dahili Filtreli
N: Dahili Filtresiz

B: Dahili Frenleme Ünitesi

Nominal Akım (A):
XXXX→000.0

Kasa Boyu (mm):
1: 80×135×138
2: 106×150×180
3: 138×152×235
4: 156×170×265
5: 205×196×340
6: 265×235×435
7: 315×234×480
8: 360×265×555
9: 410×300×630
10: 516×326×765
11: 560×342×910

Giriş Gerilimi
1 : 1 Faz 230V/240V
2 : 3 Faz 230V/240V
4 : 3 Faz 380V/480V

Endüstri

Ürün Modeli

Ürün Çeşitleri

Besleme	Parça Numarası	Kasa Boyu	kW	Giriş Akımı (A)			Çıkış Akımı (A)	Giriş Akım Koruması
				230V	380V/400V	460V/480V		
1Ph 230V	10G-11-0015-XX	1	0.2	4			1.5	6.0
	10G-11-0025-XX	1	0.37	5.8			2.5	10.0
	10G-11-0035-XX	1	0.55	7.6			3.5	14.0
	10G-11-0045-XX	1	0.75	10			4.5	18.1
	10G-12-0050-XX	2	1.1	10.8			5	24.5
	10G-12-0070-XX	2	1.5	14			7	25.2
	10G-12-0100-XX	2	2.2	20			10	32.0
3Ph 230V	10G-31-0015-XX	1	0.2	2.5			1.5	5.0
	10G-31-0025-XX	1	0.37	3.5			2.5	8.2
	10G-31-0035-XX	1	0.55	4.5			3.5	10.0
	10G-31-0045-XX	1	0.75	5.4			4.5	11.5
	10G-32-0050-XX	2	1.1	5.8			5	18.0
	10G-32-0070-XX	2	1.5	7.8			7	18.2
	10G-32-0100-XX	2	2.2	11			10	21.5
	10G-33-0170-XX	3	4	18.5			17	28
	10G-34-0210-XX	4	5.5	22			21	33
	10G-35-0300-XX	5	7.5	31			30	47
	10G-35-0400-XX	5	11	41			40	62
	10G-36-0550-XX	6	15	57			55	86
3Ph 400V	10G-41-0006-XX	1	0.2		1.1	0.8	0.6	2.5
	10G-41-0010-XX	1	0.37		1.5	1.2	1	5.0
	10G-41-0015-XX	1	0.55		2.1	1.8	1.5	5.5
	10G-42-0020-XX	2	0.75		3	2.1	2	6.5
	10G-42-0030-XX	2	1.1		4	3.2	3	10.2
	10G-42-0040-XX	2	1.5		5	4.2	4	11.0
	10G-42-0065-XX	2	2.2		7.5	7.0	6.5	15.0
	10G-43-0080-XX	3	3.7		10.5	8.3	8	18.0
	10G-43-0090-XX	3	4		11	9.2	9	21.0
	10G-43-0120-XX	3	5.5		14	11.5	12	29.0
	10G-44-0170-XX	4	7.5		18.5	16	17	34.0
	10G-44-0230-XX	4	11		24	21	23	46.5
	10G-45-0320-XX	5	15		36.5	27	32	80.0
	10G-45-0380-XX	5	18.5		44	31	38	90
	10G-45-0440-XX	5	22		51	35	44	100
	10G-46-0600-XX	6	30		70	53	60	110
	10G-47-0750-XX	7	37		80	64	75	120
	10G-47-0900-XX	7	45		94	75	90	150
	10G-48-1100-XX	8	55		120	85	110	180
	10G-48-1500-XX	8	75		160	115	150	240
	10G-49-1800-XX	9	90		190	130	180	285
	10G-49-2200-XX	9	110		225	170	220	340
10G-410-2650-XX	10	132		275	210	265	400	
10G-411-3200-XX	11	160		330	250	320	500	
10G-411-3600-XX	11	180		370	280	360	550	

Sürücü Başlangıcı

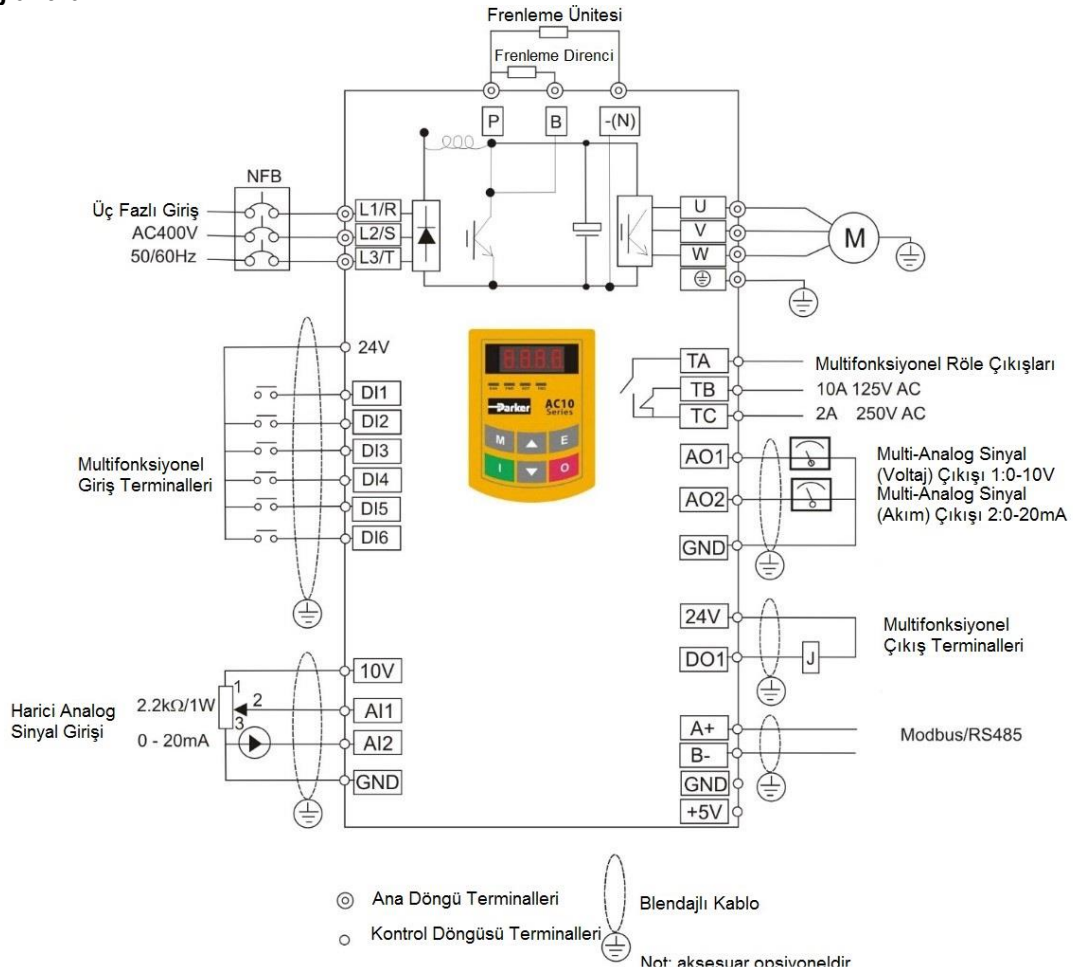
- Hızlı başlangıcın başındaki Güvenlik bölümünü okuyun.
- Bütün elektrik yönetmeliklerine uyulduğundan emin olun.
- Ekipmanın zarar görüp görmediğini kontrol edin.
- Sürücü ve sistemde açık uç, kırpıntı, dolgu, talaş vs. olmadığını kontrol edin.
- Sistemin tüm dış bağlantılarını kontrol edin – güç, kontrol, motor ve şase bağlantıları.
- Motorun herhangi bir yönde beklenmedik hareketinin maddi veya fiziksel bir zarar veya yaralanmaya sebep olmayacağına emin olun. Eğer mümkünse yükü motor milinden ayırın.
- Çalıştırma için kullanılan harici bağlantı/rölelerin açık (çalışmıyor) konumda olduğunu kontrol edin. Harici hız ayar noktalarının (setpoint) sıfır olduğunu kontrol edin.
- Birkimsenin sisteme güç verildiğinde etkilenebilecek farklı bir noktada çalışmadığından emin olun.
- Güç verildiğinde diğer ekipmanların kötü bir şekilde etkilenebileceğinden emin olun.
- Sürücü çıkışı motor statör bağlantılarının yıldız veya üçgen yapıya göre doğru bağlandığından emin olun.

Sürücü Kurulumu

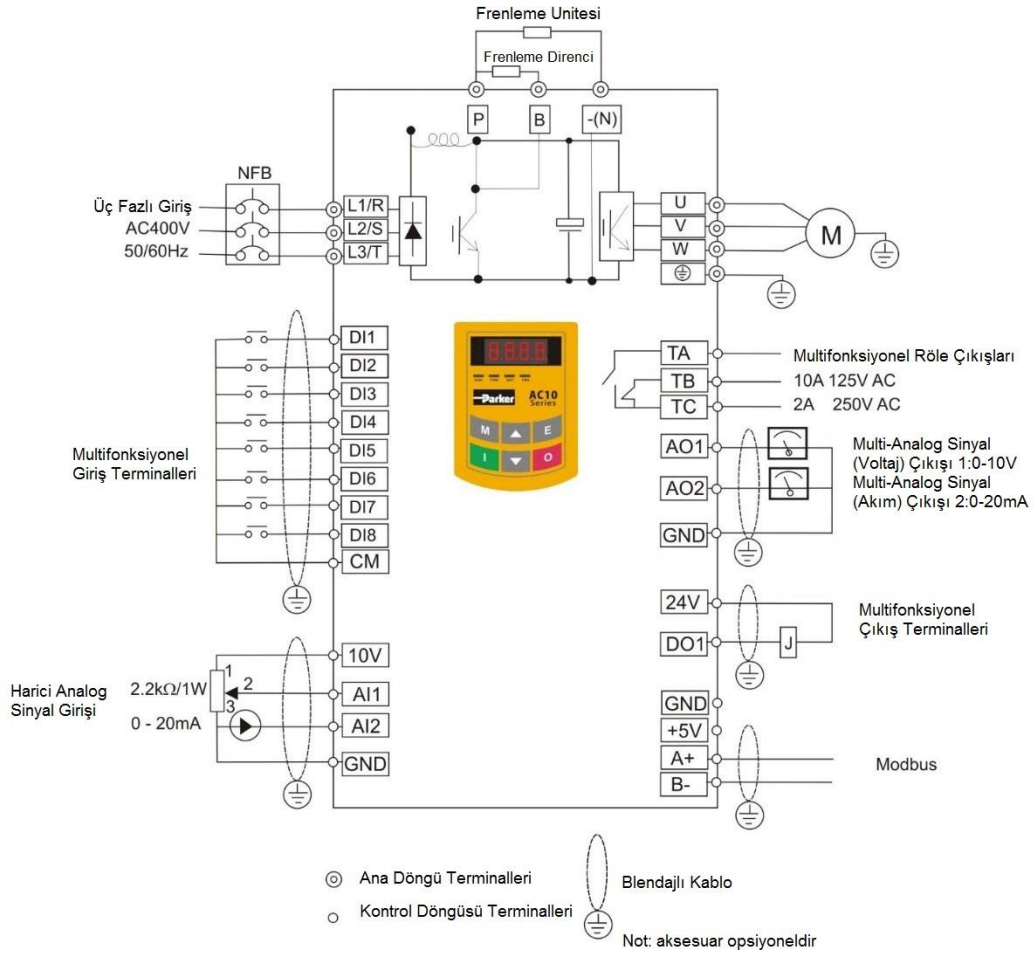
Sürücüyü kurmadan önce motor hakkında birkaç bilgiye ihtiyacınız olacak. Bu bilgiler motor isimlevhası üzerinde bulunabilir. İhtiyacınız olan bilgiler aşağıda listelenmiştir:

Nominal voltaj, nominal frekans
 Nominal D/D (RPM)
 Tam yük amper
 Yüksüz amper
 Bağlantı (yıldız/üçgen)

Temel Bağlantılar

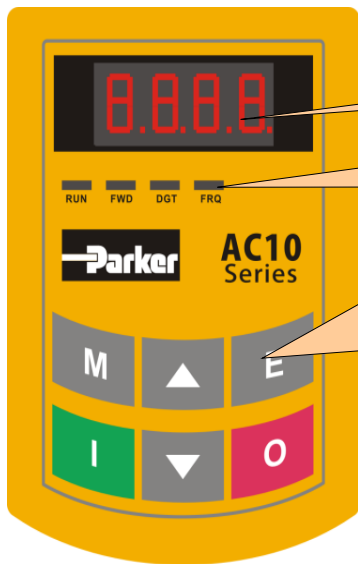


0.2kW – 22kW Çok-aşamalı hız kontrolü makrosu için Basit Kablaj Şeması (PNP Türü)



30kW – 180kW Üç-Fazlı AC Sürücüler için Basit Kablaj Şeması (NPN Tipi)

Tuştakımı



LED ekran, çalışma frekansını gösterir; hedef frekans, fonksiyon kodu, parametre değeri veya hata kodu ise yanıp söner.

4 LED çalışma durumunu gösterir. Çalışırken RUN. İleri dönerken FWD ve ekranda frekans gösterilirken FRQ, basamak "DGT"

Fonksiyon kodu için "M"ye, asıl parametreler için "E"ye basın. ▲ ve ▼ tuşları fonksiyon kodu ve parametre seçmekte kullanılır. Doğrulamak için tekrar "E"ye basın. Tuştakımı kontrol modunda ▲ ve ▼ tuşları dinamik hız kontrolü için de kullanılabilir. "I" ve "O" tuşları çalışma ve durdurmayı kontrol eder. İnterör hata durumunu sıfırlamak için "O" tuşuna basın.

Fonksiyon kodunu görüntülemek için "M" tuşuna basın
Fonksiyon kodunu seçmek için "Yukarı" veya "Aşağı" tuşlarına basın
Fonksiyon kodu içerisindeki bilgiyi okumak için "E" tuşuna basın
Bilgiyi değiştirmek için "Yukarı" veya "Aşağı" tuşlarına basın
Değiştirdiğiniz bilgiyi kaydettikten sonra ilgili hedef frekansı göstermek için "M" tuşuna basın
O an geçerli olan fonksiyon kodunu görüntülemek için "E" tuşuna basın.

Kurulum Talimatları

- Uygulama modunu seçin. Uygulama açıklaması için Bölüm 9'a bakın.

Ekranı F100 görünene kadar (M)'ye basın
 Yalnızca FWD LED'i yanana kadar (O)'ya basın (X O X X)
 Parametre bloğu F2xx'e erişmek için (Yukarı)'ya basın
 FWD ve DGT LED'lerinin ikisi de yanana dek (O)'ya basın (X O O X)
 Ekran F228'i gösterene dek (Yukarı)'ya basın
 Uygulama numarasını değiştirmek için (E)'ye basın
 Uygulama seçmek için (Yukarı) ve (Aşağı) tuşlarını kullanın
 Seçiminizi doğrulamak için (E)'ye basın

F228	Application selection	0: Invalid 1: Basic speed control 2: Auto/manual control 3: Stage speed control 4: Terminal control; 5: PID control;
------	-----------------------	---

Uygulama (Application) varsayılan değerlerde ayarlanmıştır; bu bütün parametrelere erişime izin vermektedir. Tüm operasyonlar hakkında açıklamaları görmek için lütfen ürün kullanım kılavuzuna başvurunuz. Uygulama bağlantı çizimleri için bu hızlı başlangıç kılavuzunun sonuna bakın.

- Motor Parametrelerini Seçin

F801 Rated power (kW)	Setting range: 0.75~1000	
F802 Rated voltage (V)	Setting range: 1~440	
F803 Rated current (A)	Setting range: 0.1~6500	
F804 Number of motor poles	Setting range: 2~100	4
F805 Rated rotary speed	Setting range: 1~30000	
F810 Motor rated frequency	Setting range: 1.0~590.0	50.00

- Kontrol Modunu Seçin

AC10 invertörünün 3 kontrol modu vardır: sensörsüz vektör kontrol (F106=0), VVVF (değişken voltaj, değişken frekans) kontrol (F106=2) ve vektör kontrol 1 (F106=3). VVVF kontrol modunda, AC10 invertörünün dört farklı tork kompanzasyon modu vardır: lineer kompanzasyon (F137=0), kare kompanzasyon (F137=1), kullanıcı tanımlı çoklu nokta kompanzasyonu (F137=2), otomatik tork kompanzasyonu (F137=3).

- Limitleri belirleyin

F111 Max Frequency (Hz)	Setting range: F113~590.0	Mfr's value: 50.00
F112 Min Frequency (Hz)	Setting range: 0.00~F113	Mfr's value: 0.50

- Rampa değerlerini belirleyin

F114 First Acceleration Time (S)	Setting range: 0.1~3000	Mfr's value: subject to inverter model
F115 First Deceleration Time (S)		
F116 Second Acceleration Time (S)		
F117 Second Deceleration Time (S)		

- Giriş/Çıkış Kontrol Modunu Belirleyin

Invertör'ün (çalışma, durdurma, ve jog dahil) kontrol komutlarının giriş kanalını belirleyen beş mod vardır: 0. Tuş takımı kontrolü; 1. Terminal kontrolü; 2 Tuş takımı + terminal kontrolü; 3. Modbus kontrolü; 4. Tuş takımı + terminal + Modbus. Kontrol komutları modunu F200 (çalışma) ve F201 (durma) no'lu fonksiyon kodlarından seçebilirsiniz.

F200	Source of start command	0: Keypad command; 1: Terminal command; 2: Keypad + Terminal; 3: MODBUS; 4: Keypad + Terminal + MODBUS
F201	Source of stop command	0: Keypad command; 1: Terminal command; 2: Keypad + Terminal; 3: MODBUS; 4: Keypad + Terminal + MODBUS

Terminal kontrolü için analog giriş'in seçici anahtarlarını kontrol edin.

F203=2, channel AI2 is selected			F203=1, channel AI1 is selected	
SW1 coding switch			S1 toggle switch	
Coding Switch 1	Coding Switch 2	Analog Input AI2 signal	+	-
OFF	OFF	0~5V voltage	0~10V voltage	-10~+10V voltage
OFF	ON	0~10V voltage		
ON	ON	0~20mA current		

Ayrıca dijital girişler için NPN, PNP seçici anahtarlarını kontrol edin.

- İnvörtör ile Test çalıştırması gerçekleştirin
Tuş takımı veya terminal kontrolü ile test çalıştırması gerçekleştirin, ve tüm koşulların güvenli olduğundan emin olun.
- İleri seviye fonksiyonlar için ürün kılavuzuna bakın.
- Bütün parametreleri varsayılan değerlerine döndürmek için fonksiyon F160'ı 1'e getirin.

UYUMLULUK

AC10 ürün kılavuzunda uyumluluk üzerine kapsamlı bir rehber bulabilirsiniz.

Uyarı – EMC ile güvenlik şartları arasında bir uyumsuzluk olduğunda, personel güvenliği her zaman önceliklidir.

Bu ekipmanın çalıştırılması için, bu ürünün kullanımı için hazırlanmış olan ürün kılavuzunda bulunan detaylı kurulum ve operasyonel bilgilere gereksinim vardır. Bu bilgiler, ürünün paketlenildiği ambalaj içerisinde tedarik edilmiş cd rom'da da bulunmaktadır. Bu cd rom her zaman ürün ile birlikte bulundurulmalıdır.

Dikkat: Bu ürün, IEC 61800-3'e göre sınırlı satış dağıtımı sınıfındadır. EN61000-3'te "profesyonel ekipman" olarak tanımlanmıştır. Düşük voltaj beslemeye bağlantı kurulmadan tedarik yetkilisinin izni alınmalıdır.

İç/ev ortamlarında bu ürün radyo enterferansına sebep olabilir; bu durumlarda ek azaltma önlemleri almak gerekebilir.

Bu ekipman elektrostatik boşalma'ya (ESD) duyarlı parçalar içermektedir. Bu ürünü elleçleme, kurulum ve bakımı öncesi statik kontrol önlemleri almayı unutmayın.

EMC Emisyonları

Yayılan emisyonlar, ürün talimatlara göre kurulduğunda EN61800-3 kategori C1, C2 ve C3'e uyumluluk göstermektedir.

İletilen emisyonlar EN61800-3 kategori C3 harici filtre ile uyumluluk göstermektedir.

Korunmuşluk, ikinci tip ortamda kullanım için EN61800-3 şartlarıyla uyumluluk göstermektedir.

Kablo Güzergahını Planlama

Mümkün olan en kısa motor kablo uzunluğunu kullanın.

Birden fazla motor beslemek için tek uzunlukta kabloları yıldız tipi bir birleşme noktasına bağlayın.

Elektriksel gürültüye sahip ve hassas kabloları birbirinden ayrı tutun. Eğer mümkün değilse paralel kablolar en az 0.25 metre ayrı tutulmalı; 10 metreden fazla uzunluklarda ayrılık mesafesi oransal olarak artırılmalı.

Hassas kablolar gürültülü kabloları 90° açıyla geçmelidir.

Hassas kabloları asla motor, dc bağlantı veya fren ünitesi devrelerine yakın veya paralel olarak (mesafe farketmeksizin) bulundurmeyin.

Besleme dc bağlantı veya motor kablolarını korumalı olsa dahi sinyal/kontrol veya geri besleme kablolarıyla aynı kablo demetinde bulundurmeyin.

EMC filtre giriş ve çıkış kablolarının ayrı olarak yönlendirildiğinden ve filtre üzerinde birleşmediğinden emin olun.

Chapter 9 中文

安全须知

本章介绍了在对变频器进行安装、操作和维护时必须遵守的安全须知。如果忽视这些安全须知可能会造成人身伤亡或者变频器、电机或者执行机构的损坏。在对变频器进行操作前请阅读安全须知。

本手册适用于所有对本手册所描述的产品进行安装，调试，维修或其他相关操作的人员使用。

设备的安装，操作，和维修应由资质合格的人员承担。资质合格的人员应技术胜任，熟悉安全信息并且具有安全实践经验：包括设备的安装，操作，维修以及所有相关风险。

Parker 或其子公司，或者授权的经销商根据用户提供具体应用的数据和技术规格提供给客户零配件或者系统选项，用户对提供的应用数据和技术规格应付相应的责任。

要求

IMPORTANT: 注意：在安装设备以前，请阅读本安全信息。

警告-操作该设备需要阅读随机附带的详细的安装和操作指南说明。详细说明书包含在设备包装盒内，可能是 CD,软盘或其他设备。说明书应该随时与设备放在一起。可以产品标签所示的供应商处订购纸质说明书。

目标用户

本手册供对这里讲述的对设备需要进行安装、配置或者操作的所有人员使用。在这里给出的信息主要涉及安全问题，以便使用户从设备中获得最大的效益。

应用范围

本产品用于驱动工业应用中速度控制的直流电机，交流感应电机和交流同步电机。

人员

设备的安装、操作和维修应当由具有资格的人员进行。具有资格的人员是指在技术上有能力，熟悉所有的安全信息并具有安全方面的经验，熟悉设备的安装过程、操作和维修，熟悉相关的危险性。

产品警示

	注意 电击危险		注意 表面高温		注意 参考手册		接地保护 导线端子
--	------------	---	------------	---	------------	---	--------------

危险性

危险！-忽视下面信息会导致以为发生

1. 设备的旋转电机和高压可能危及人员生命。
2. 对地漏电流强，设备必须永久接地。驱动电机必须连接合适的外接地。
3. 保证在连接到设备前，所有供电设备均采取绝缘措施。注意，变频器可能有两个或两个以上电源。
4. 当电机处在待机或停止状态时，电源端子（电机输出端，电源输入相位，直流汇流条和电闸）可能存在危险电压。
5. 测量时，仅使用一个经过IEC61010认证的仪表（CATIII或更高级别）。开始时，应使用最高档。在此产品上不得使用CAT I和CAT II仪表。
6. 允许驱动电机的电容有至少5分钟时间放电至安全电压(<50V)。使用最大测量值至少为1000V 直流或交流rms的特殊仪表，确定在所有电源段子和地面之间的电压小于50V。
7. 除另行说明外，本产品不得拆卸。如果发生故障，必须召回驱动电机，参见“日常保养和维修”。

警告！-忽略以下内容可能导致人员伤害或设备受损

安全

电磁兼容和安全要求之间如有冲突，以人员安全为重

- 在对线路进行耐高电压测试前，应先将变频器与被测电路断开。
- 在确保通风良好的同时，提供监控和/或额外的安全系统以避免人员伤害或设备受损。
- 如更换变频器，在投入使用前，确保已正确设置所有适用于该产品运行的用户自定义
- 所有的控制接线端子和信号端子都为 SELV，也就是双重绝缘保护。确保所有的配线都符合系统最高额定电压的要求。
- 电机所包含的温度传感器必须至少有基本绝缘。
- 变频器中所有的金属件都应当使用基本的绝缘进行保护,并且焊接到一个安全接地点. 不推荐本产品同 RCD 一起使用，但在强制使用 RCD 的情况下，仅可以使用 B 型 RCD

- 在内部环境中，本产品会产生电磁干扰，用户可能需要采取相应的防范措施。
- 本设备装有静电放电（ESD）感应配件。操作，安装和维修时，注意观察静电控制预警装置。
- 根据 IEC 61800-3，本产品属于限制性销售级别。根据 EN61000-3-2 定义，本产品设计为“专业设备”。连接至低压电源前，须取得供电局许可。

电磁兼容

注意！

使用风险

- 本文档所述规范、流程和电路仅供参考，用户需根据具体应用作相应调整。我们对于本手册所述产品在个别应用时的适配性不作担保。

风险评估

遇到故障、功率损耗或误操作，设备将可能不按预定模式运转。特别是在以下情况下：

- 储存的电能不能在建议的时间内快速放电至安全电平，并且可能在电机在关机后依然存在
- 电机旋转方向失控
- 电机速度失控
- 电机可能会被通电短路
- 该 AC10 系列是不是一個安全部件或安全有關的產品。

变频器是驱动系统的一个组成部分，发生故障时可能影响到驱动系统的运行或功能。

- 储存电能
- 电源断开
- 先后顺序

快速入门

运行变频器之前

此手册包含运行 AC10 变频器的基本步骤。变频器须由熟悉产品和应用的工程师进行操作。请在说明书中查找详细的安装，安全和应用信息。

安装变频器时，需确保其符合所有的电气规范。确保现场所有器件不会产生电击以及电机突然旋转不会引发人员伤害。

安装人员应该按照安装步骤，将变频器安装在正确的地方。

关于快速入门

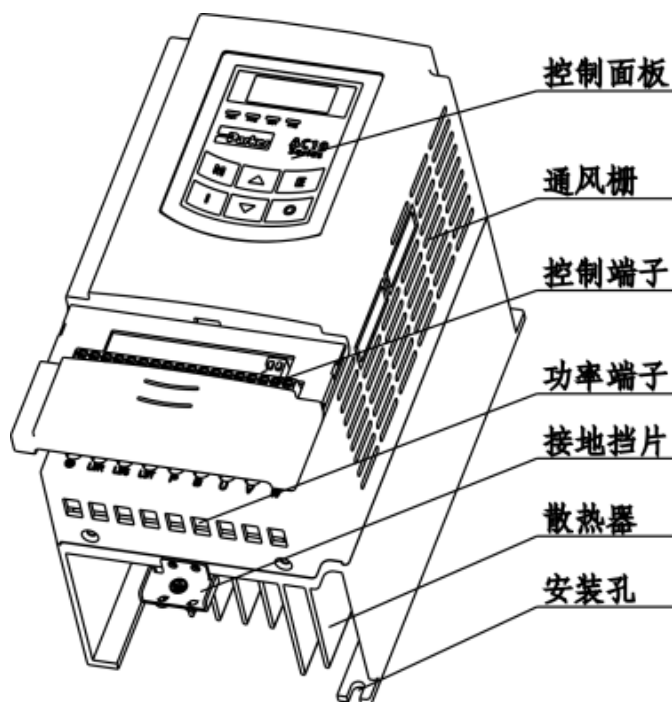
本手册可提供：

- 你将对变频器端子和操作有足够的认识。
- 提供基本的安装信息和快速使用步骤。
- 展示如何学习电机参数。

本手册供如下人员使用：

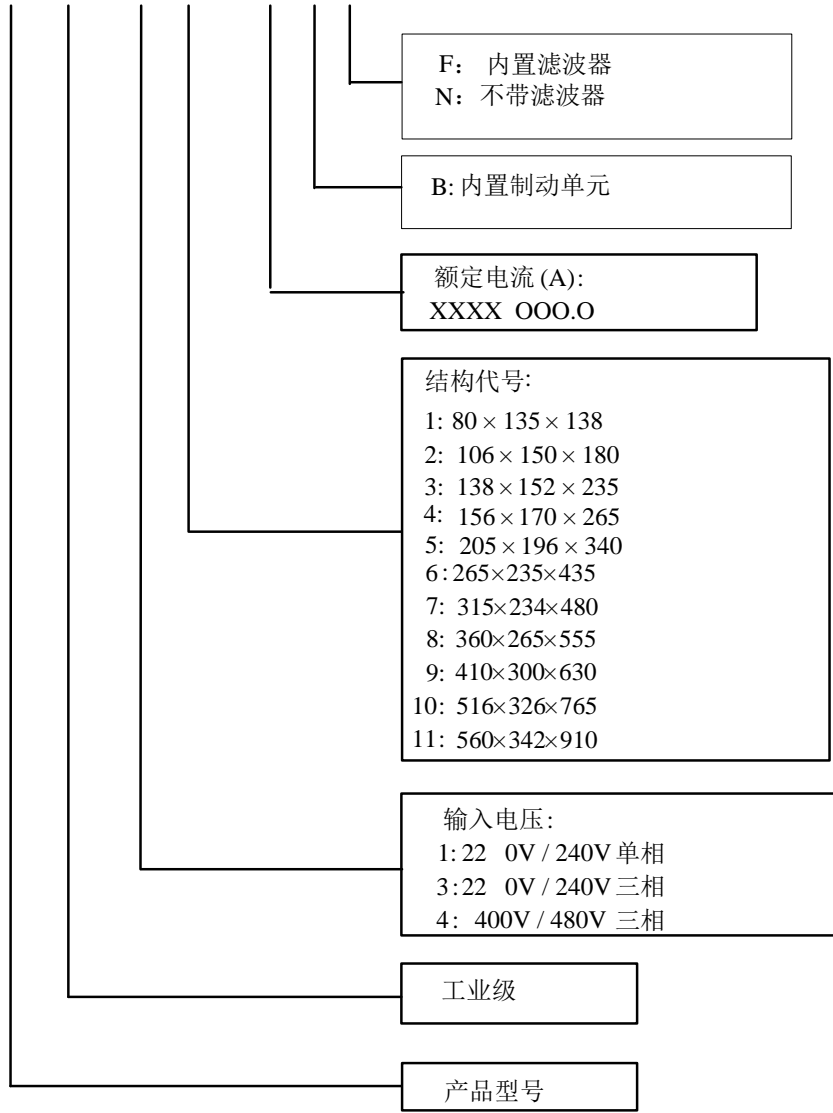
- 有丰富安装经验的专业技术人员。
- 充分了解相关标准和电气规范的人员。
- 充分阅读并了解本手册提供的安全信息。
- 本手册只提供最基本信息，详细信息请参考 AC10 说明书。

产品外观



产品型号命名规则

10 G - 1 1 - 0015 B F



电源	规格型号	结构代号	适配电机功率 (kW)	额定输入电流 (A)			额定输出电流 (A)	输入保护电流 (A)
				230V	380V/400V	460V/480V		
1Ph 230V	10G-11-0015-XX	1	0.2	4			1.5	6.0
	10G-11-0025-XX	1	0.37	5.8			2.5	10.0
	10G-11-0035-XX	1	0.55	7.6			3.5	14.0
	10G-11-0045-XX	1	0.75	10			4.5	18.1
	10G-12-0050-XX	2	1.1	10.8			5	24.5
	10G-12-0070-XX	2	1.5	14			7	25.2
	10G-12-0100-XX	2	2.2	20			10	32.0
3Ph 230V	10G-31-0015-XX	1	0.2	2.5			1.5	5.0
	10G-31-0025-XX	1	0.37	3.5			2.5	8.2
	10G-31-0035-XX	1	0.55	4.5			3.5	10.0
	10G-31-0045-XX	1	0.75	5.4			4.5	11.5
	10G-32-0050-XX	2	1.1	5.8			5	18.0
	10G-32-0070-XX	2	1.5	7.8			7	18.2
	10G-32-0100-XX	2	2.2	11			10	21.5
	10G-33-0170-XX	3	4	18.5			17	28
	10G-34-0210-XX	4	5.5	22			21	33
	10G-35-0300-XX	5	7.5	31			30	47
	10G-35-0400-XX	5	11	41			40	62
	10G-36-0550-XX	6	15	57			55	86
3Ph 400V	10G-41-0006-XX	1	0.2		1.1	0.8	0.6	2.5
	10G-41-0010-XX	1	0.37		1.5	1.2	1	5.0
	10G-41-0015-XX	1	0.55		2.1	1.8	1.5	5.5
	10G-42-0020-XX	2	0.75		3	2.1	2	6.5
	10G-42-0030-XX	2	1.1		4	3.2	3	10.2
	10G-42-0040-XX	2	1.5		5	4.2	4	11.0
	10G-42-0065-XX	2	2.2		7.5	7.0	6.5	15.0
	10G-43-0080-XX	3	3.7		10.5	8.3	8	18.0
	10G-43-0090-XX	3	4		11	9.2	9	21.0
	10G-43-0120-XX	3	5.5		14	11.5	12	29.0
	10G-44-0170-XX	4	7.5		18.5	16	17	34.0
	10G-44-0230-XX	4	11		24	21	23	46.5
	10G-45-0320-XX	5	15		36.5	27	32	80.0
	10G-45-0380-XX	5	18.5		44	31	38	90
	10G-45-0440-XX	5	22		51	35	44	100
	10G-46-0600-XX	6	30		70	53	60	110
	10G-47-0750-XX	7	37		80	64	75	120
	10G-47-0900-XX	7	45		94	75	90	150
	10G-48-1100-XX	8	55		120	85	110	180
	10G-48-1500-XX	8	75		160	115	150	240
	10G-49-1800-XX	9	90		190	130	180	285
	10G-49-2200-XX	9	110		225	170	220	340
	10G-410-2650-XX	10	132		275	210	265	400
10G-411-3200-XX	11	160		330	250	320	500	
10G-411-3600-XX	11	180		370	280	360	550	

变频器启动

- 请阅读快速入门的安全须知。
- 确保符合所有电气规范。
- 检查设备是否受损。
- 检查接头、夹环是否有松动，调速器及系统内有无碎屑等。
- 检查所有外部接线电路---电源电路，控制电路，电机电路与接地连接电路。
- 确保电机在任何一个方向上的旋转均不会造成破坏。如果可能，断开电机轴的负载。
- 检查外部运行接触点是否已经打开。检查外部速度设定值是否均为零。
- 确保通电时没有其他人在系统的其他部分上工作，以免其受通电的影响。
- 确保通电操作不会对其他设备造成不良影响。

安装变频器

尝试安装变频器之前，你需要了解电机信息。您可以通过电机铭牌查到以下信息：

额定电压

额定频率

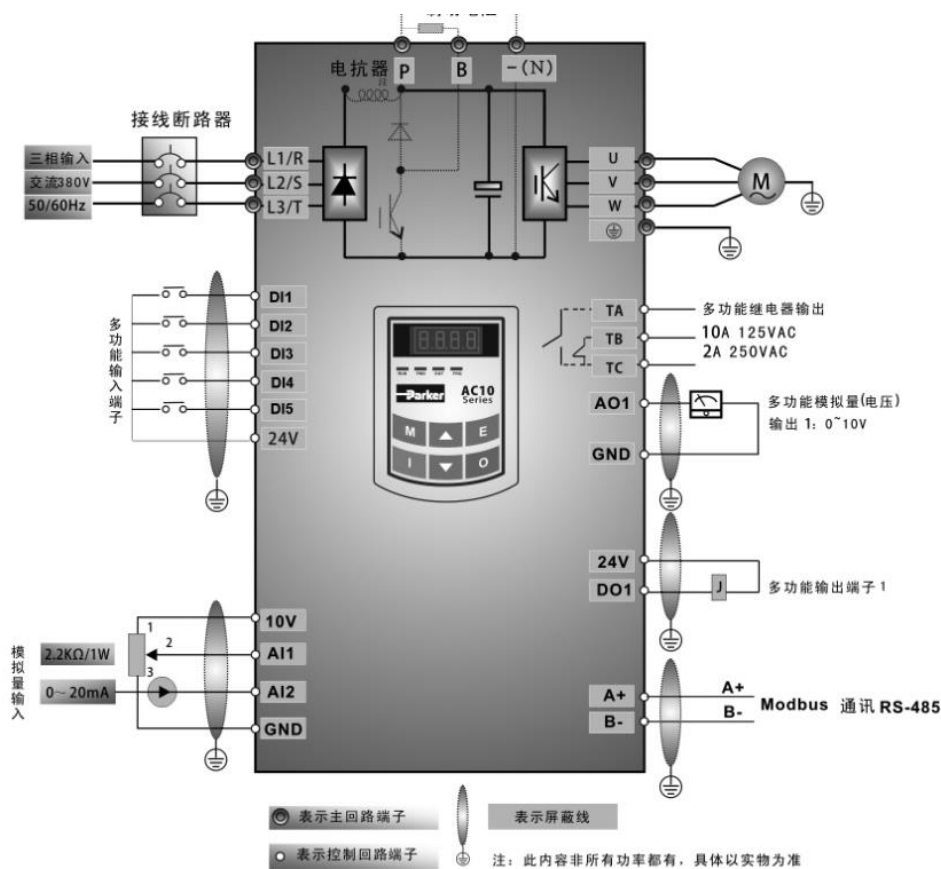
额定转速

满载电流

空载电流 (励磁电流)

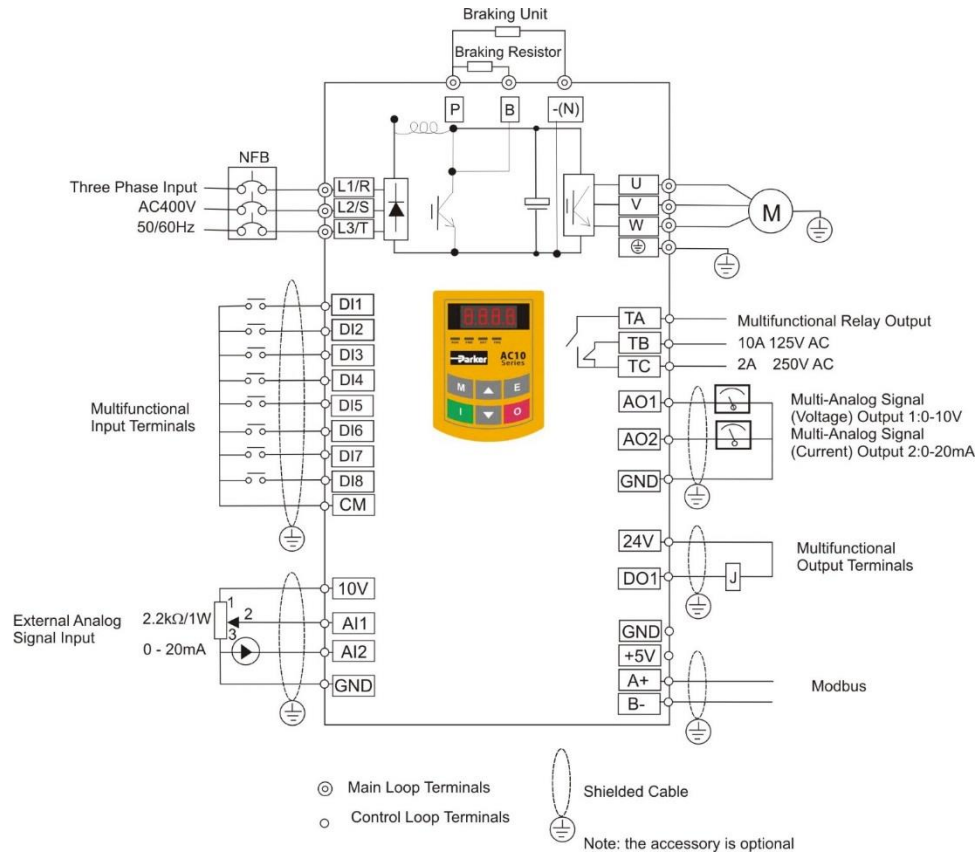
接线方式 (星接或角接)

基础接线图



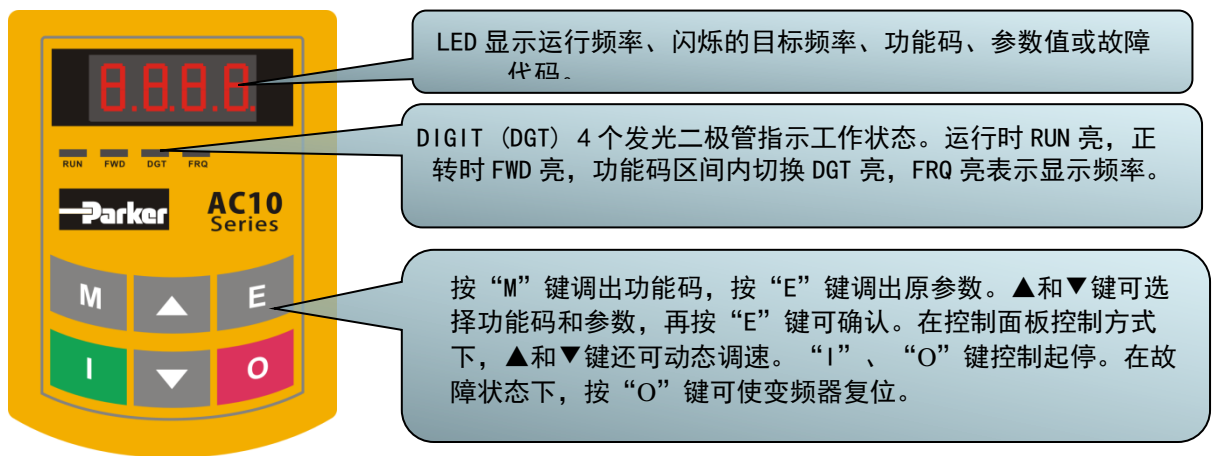
三相变频器标准配线图 (PNP方式)

0.2kW – 22kW Basic Wiring Diagram for Multi-stage speed control macro (PNP type)



30kW – 180kW Basic Wiring Diagram for Three-phase AC drives (NPN type)

控制面板



按“M”键显示功能码
 按“▲”或“▼”键选择所需功能码
 按“E”键读取功能码中设定数据
 按“▲”或“▼”键修改数据
 按“E”键存储设置数据后显示当前功能码
 按“M”键切换至显示目标频率

- 选择宏模式。请参考第九章宏介绍。
 按”M”键，调出 F100 功能码。
 按”O”键，直到仅 FWD 指示灯亮 (X0XX)
 按”▲”键，调出功能码 F2XX
 按”O”键，直到 FWD 和 DGT 指示灯亮 (X00X)
 按”▲”键，调出功能码 F228
 按”E”键，编辑功能码值
 按”▲”或”▼”键选择功能码值
 按”E”键，设定参数值。

F228	应用程序选择	0: 无效 1: 基本速度控制 2: 自动手动控制 3: 段速控制 4: 端子控制频率加减 5: PID 控制
------	--------	--

- 设置电机参数。

F801	额定功率 (kW)	设置范围: 0.75~1000	
F802	额定电压 (V)	设置范围: 1~460	
F803	额定电流 (A)	设置范围: 0.1~6500	
F804	电机极数	设置范围: 2~100	4
F805	额定转速 (rpm/min)	设置范围: 1~30000	
F810	电机的额定频率 (Hz)	设置范围: 1.0~590.0Hz	50.00

- 选择控制模式

AC10 系列变频器有三种控制方式: 无速度传感器矢量控制 (F106=0)、VVVF 控制方式 (F106=2) 以及矢量控制 1 (F106=3)。

在 VVVF 控制方式下, AC10 系列变频器转矩补偿方式有四种: 直线式补偿 (F137=0)、次方式补偿 (F137=1)、自定义多点式补偿 (F137=2) 及自动转矩补偿 (F137=3)

- 设置的限制

F111	上限频率 (Hz)	设置范围: F113~590.0	出厂值: 50.00
F112	下限频率 (Hz)	设置范围: 0.00~F113	出厂值: 0.50

- 设置坡道限制

F114	第一加速时间 (S)	设置范围: 0.1~3000	出厂值: 根据机型
F115	第一减速时间 (S)		
F116	第二加速时间 (S)		
F117	第二减速时间 (S)		

- 设定控制模式

变频器控制命令 (包括启动, 停机, 点动) 来源有 5 种模式: 0: 控制面板指令 1: 端子指令 2: 控制面板+端子 3: Modbus 4: 控制面板+端子+Modbus。F200、F201 选择变频器控制命令的来源。

F200	起动指令来源	设置范围: 0: 控制面板指令; 1: 端子指令; 2: 控制面板+端子; 3: Modbus; 4: 控制面板+端子+Modbus
F201	停机指令来源	设置范围: 0: 控制面板指令; 1: 端子指令; 2: 控制面板+端子; 3: Modbus; 4: 控制面板+端子+Modbus

当选择端子指令时, 请注意拨码开关的设置。

F203=2, 选择 AI2 通道			F203=1, 选择 AI1 通道
SW1 拨码开关			0~10V 电压
拨码开关 1	拨码开关 2	调速方式	
OFF	OFF	0~5V 电压	
OFF	ON	0~10V 电压	
ON	ON	0~20mA 电流	

同样注意查看选择 NPN 和 PNP 模式的开关。

- 变频器运行
通过面板或者端子控制, 运行变频器, 检测变频器运行是否正常。
- 请参考说明书查看详细功能。
- 要将所有 parameters 为默认值设置为 F160= 1

变频器认证

警告 - 电磁兼容和安全要求之间如有冲突，以人员安全为重。

操作该设备需要阅读随机附带的详细的安装和操作指南说明。详细说明书包含在设备包装盒内，可能是 CD, 软盘或其他设备。说明书应该随时与设备放在一起。

注意：根据 IEC 61800-3，本产品属于限制性销售级别。根据 EN61000-3-2 定义，本产品设计为“专业设备”。连接至低压电源前，须取得供电局许可。

在内部环境中，本产品会产生电磁干扰，用户可能需要采取相应的防范措施。

本设备装有静电放电（ESD）感应配件。操作，安装和维修时，注意观察静电控制预警装置。.

EMC Emissions

Radiated Emissions comply with EN61800-3 category C1, C2 and C3 when installed in accordance with instructions.

Conducted Emissions comply with EN61800-3 category C3 external filter .

Immunity complies with the requirement of EN61800-3, for equipment intended for use in the second environment.

线缆要求

电机线应尽可能短。

使用单根电缆连接到给多个电机供电的星形接点。

保持电噪声和敏感电缆分开。将平行走线的电缆分开至少 0.25 米。走线长度大于 10 米时，分开的距离应当按比例的增加。

敏感电缆和噪声电缆应当交叉 90° 走线。

敏感电缆的走线决不能靠近（无论多大距离）或者平行于电机、直流连接电路和制动斩波回路。

决不能将电源、直流连接或电机电缆与信号/控制和反馈电缆在同一个线扎中走线，即使都进行了屏蔽也不允许。

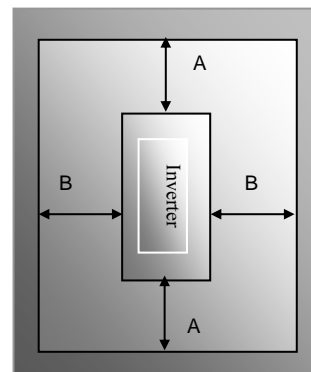
确保 EMC 滤波器的输入和输出电缆分开走线并且不得跨越滤波器连接。

Chapter 10 Dimensions for Installations

Inverter should be installed vertically, Sufficient ventilation space should be ensured. Space between 2 drive 25mm.

Clearance Dimensions

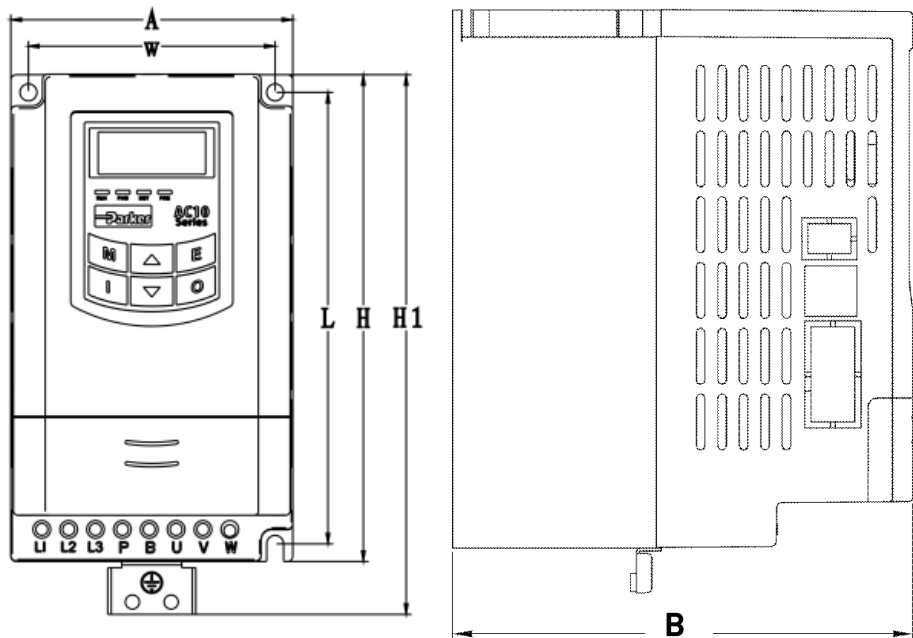
Model	Clearance Dimensions	
Plastic Hanging	A≥150mm	B≥50 mm
Metal Hanging	A≥200mm	B≥100mm



Installation Dimensions

Frame	External Dimension AxBxH (H1) mm	Max Weight kg	Mounting Size(WxL)	Mounting Bolt
1	80x135x138 (153)	1.25	70x128	M4
2	106x150x180 (195)	1.76	94x170	M4
3	138x152 x235 (250)	2.96	126x225	M5
4	156x170x265 (280)	4.9	146x255	M5
5	205x196 x340 (355)	7.5	194x330	M5
6	265 x 235 x 435	17	235x412	M6
7	315 x 234 x 480	25	274x465	M6
8	360 x 265 x 555	40	320x530	M8
9	410 x 300 x 630	55	370x600	M10
10	516 x 326 x 765	94	360x740	M10
11	560 x 342 x 910	120	390x882	M10

Measurements in mm



Plastic Housing

Note:

1. H is the size of inverter without grounding plate.
2. H1 is the size of inverter with grounding plate.

Chapter 11 Applications

Standard parameters

- F228 Application
- F111 Max frequency
- F112 Min frequency
- F114 Accel time
- F115 Decel Time
- F803 Motor rated current
- F810 Motor rated frequency
- F124 Jog setpoint
- F209 Stop mode
- F137 Torque compensation
- F138 Linear compensation
- F108 Password
- F160 Reset to default values

Application 1:

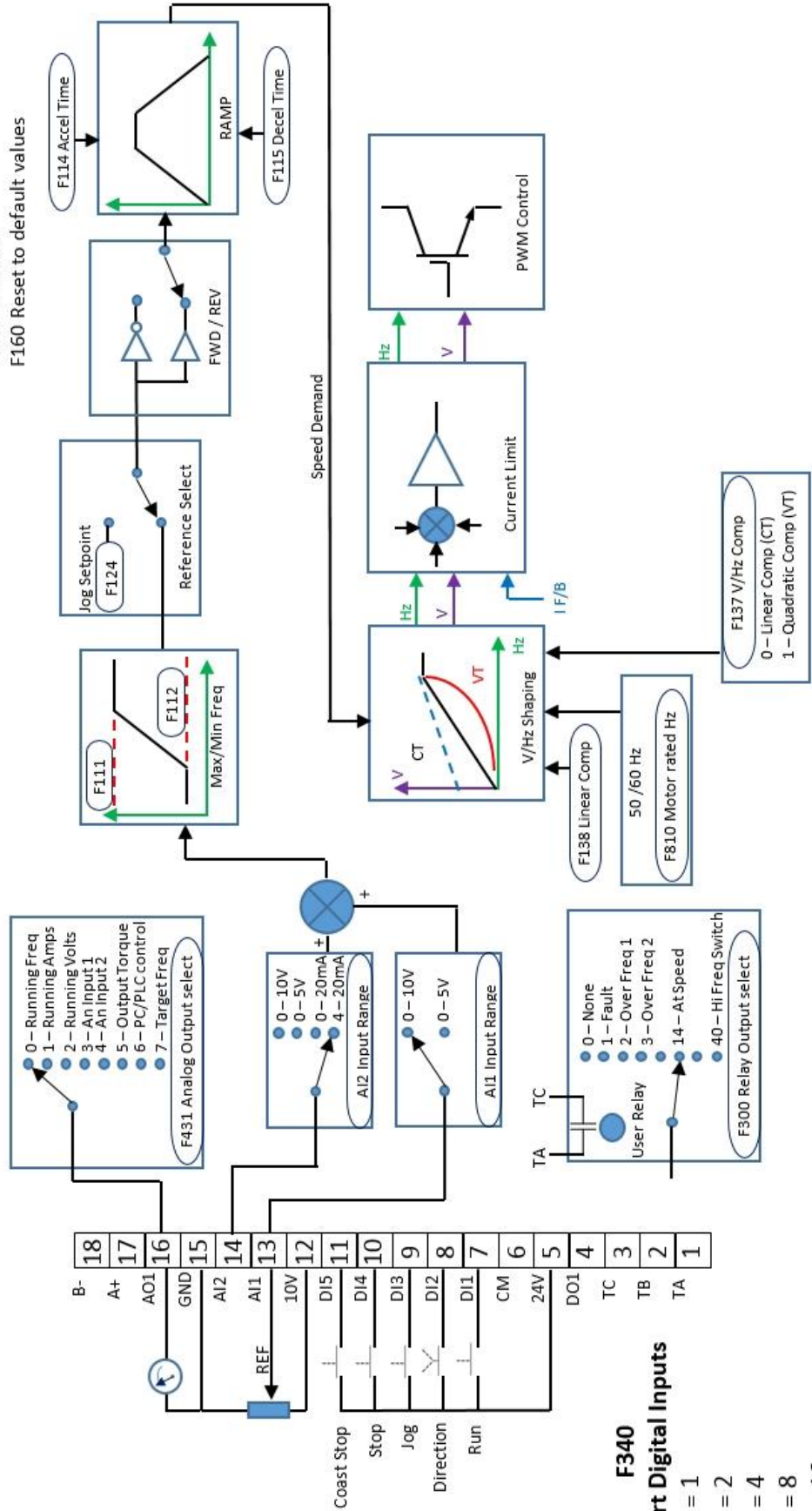
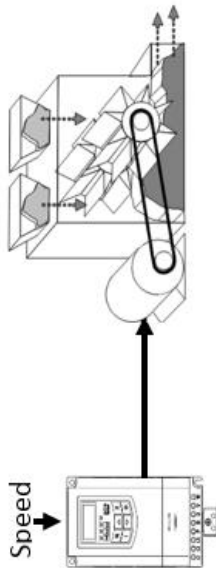
Basic Speed Control

DIAGNOSTICS = F131

Frequency Hz = 0

Analog Input V = 4

Motor Current A = 2



F340

Invert Digital Inputs

- DIN1 = 1
- DIN2 = 2
- DIN3 = 4
- DIN4 = 8
- DIN5 = 16

Standard parameters

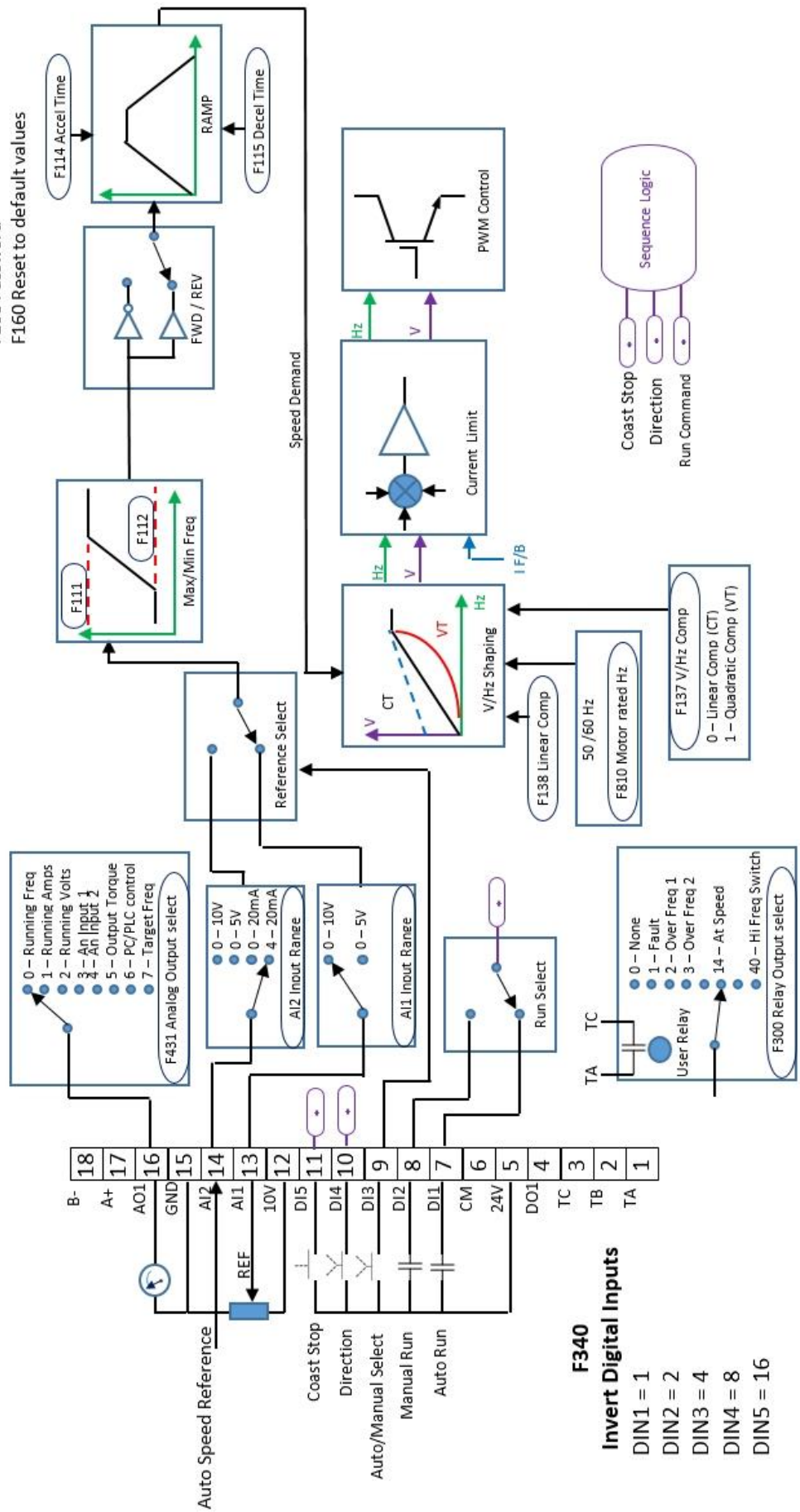
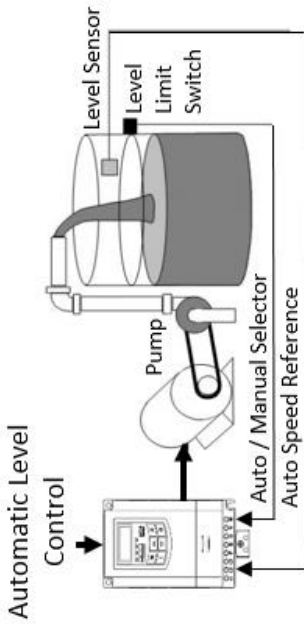
- F228 Application
- F111 Max frequency
- F112 Min frequency
- F114 Accel time
- F115 Decel Time
- F803 Motor rated current
- F810 Motor rated frequency
- F124 Jog setpoint
- F209 Stop mode
- F137 Torque compensation
- F138 Linear compensation
- F108 Password
- F160 Reset to default values

Application 2:

Auto/Manual Control

- DIAGNOSTICS = F131
- Frequency Hz = 0
- Analog Input V = 4
- Motor Current A = 2

Ideal for automatic control applications with limit switches or proximity sensors



F340

Invert Digital Inputs

- DIN1 = 1
- DIN2 = 2
- DIN3 = 4
- DIN4 = 8
- DIN5 = 16

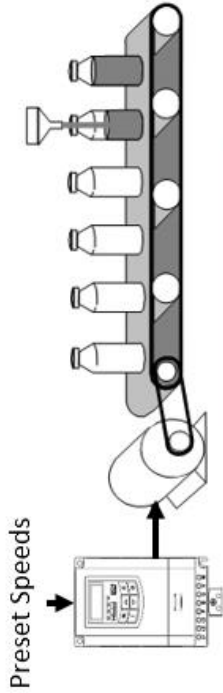
Standard parameters

- F228 Application
- F111 Max frequency
- F112 Min frequency
- F114 Accel time
- F115 Decel Time
- F803 Motor rated current
- F810 Motor rated frequency
- F124 Jog setpoint
- F209 Stop mode
- F137 Torque compensation
- F138 Linear compensation
- F108 Password
- F160 Reset to default values

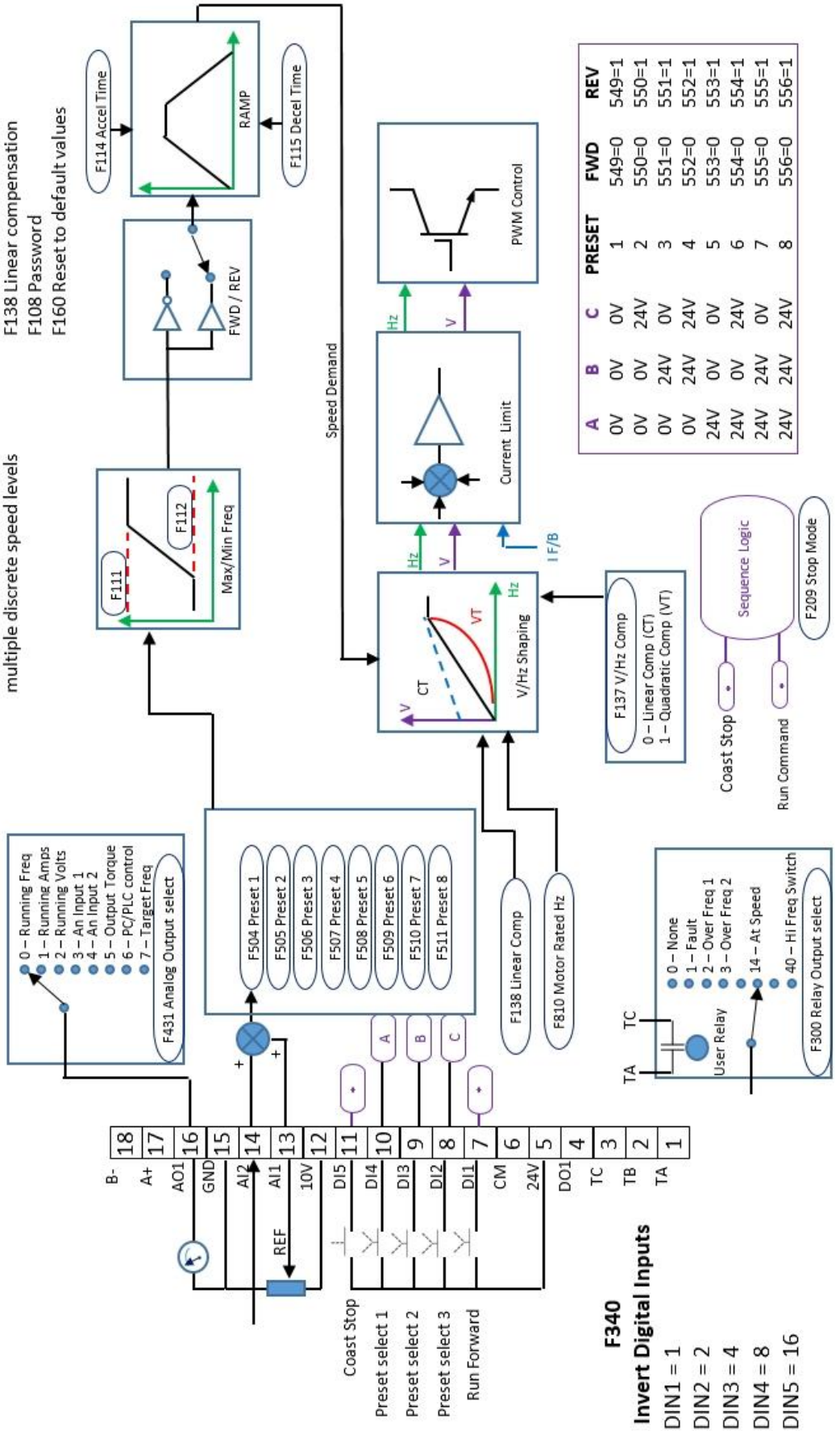
Application 3:

Preset Speeds Control

- DIAGNOSTICS = F131
- Frequency Hz = 0
- Analog Input V = 4
- Motor Current A = 2



Ideal for applications requiring multiple discrete speed levels



A	B	C	PRESET	FWD	REV
0V	0V	0V	1	549=0	549=1
0V	0V	24V	2	550=0	550=1
0V	24V	0V	3	551=0	551=1
0V	24V	24V	4	552=0	552=1
24V	0V	0V	5	553=0	553=1
24V	24V	0V	6	554=0	554=1
24V	24V	24V	7	555=0	555=1
24V	24V	24V	8	556=0	556=1

F340

Invert Digital Inputs

- DIN1 = 1
- DIN2 = 2
- DIN3 = 4
- DIN4 = 8
- DIN5 = 16

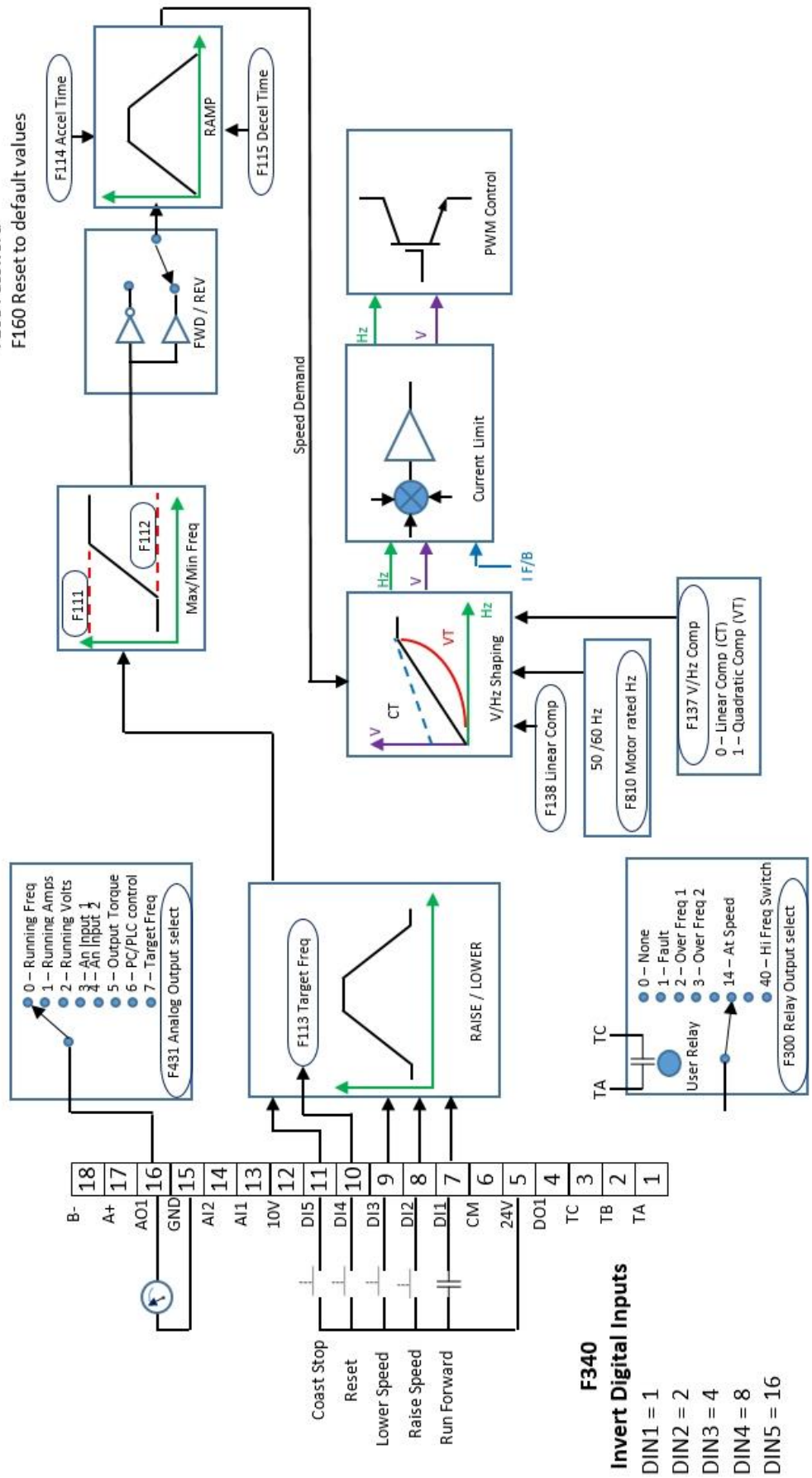
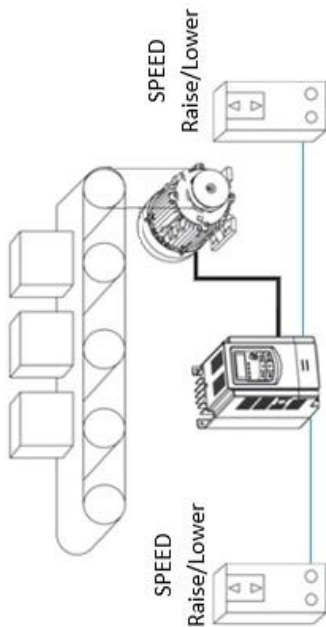
Standard parameters

- F228 Application
- F111 Max frequency
- F112 Min frequency
- F114 Accel time
- F115 Decel Time
- F803 Motor rated current
- F810 Motor rated frequency
- F124 Jog setpoint
- F209 Stop mode
- F137 Torque compensation
- F138 Linear compensation
- F108 Password
- F160 Reset to default values

Application 4: Raise / Lower Control

- DIAGNOSTICS = F131
- Frequency Hz = 0
- Analog Input V = 4
- Motor Current A = 2

Ideal for applications requiring speed control from multiple locations



F340 Invert Digital Inputs

- DIN1 = 1
- DIN2 = 2
- DIN3 = 4
- DIN4 = 8
- DIN5 = 16

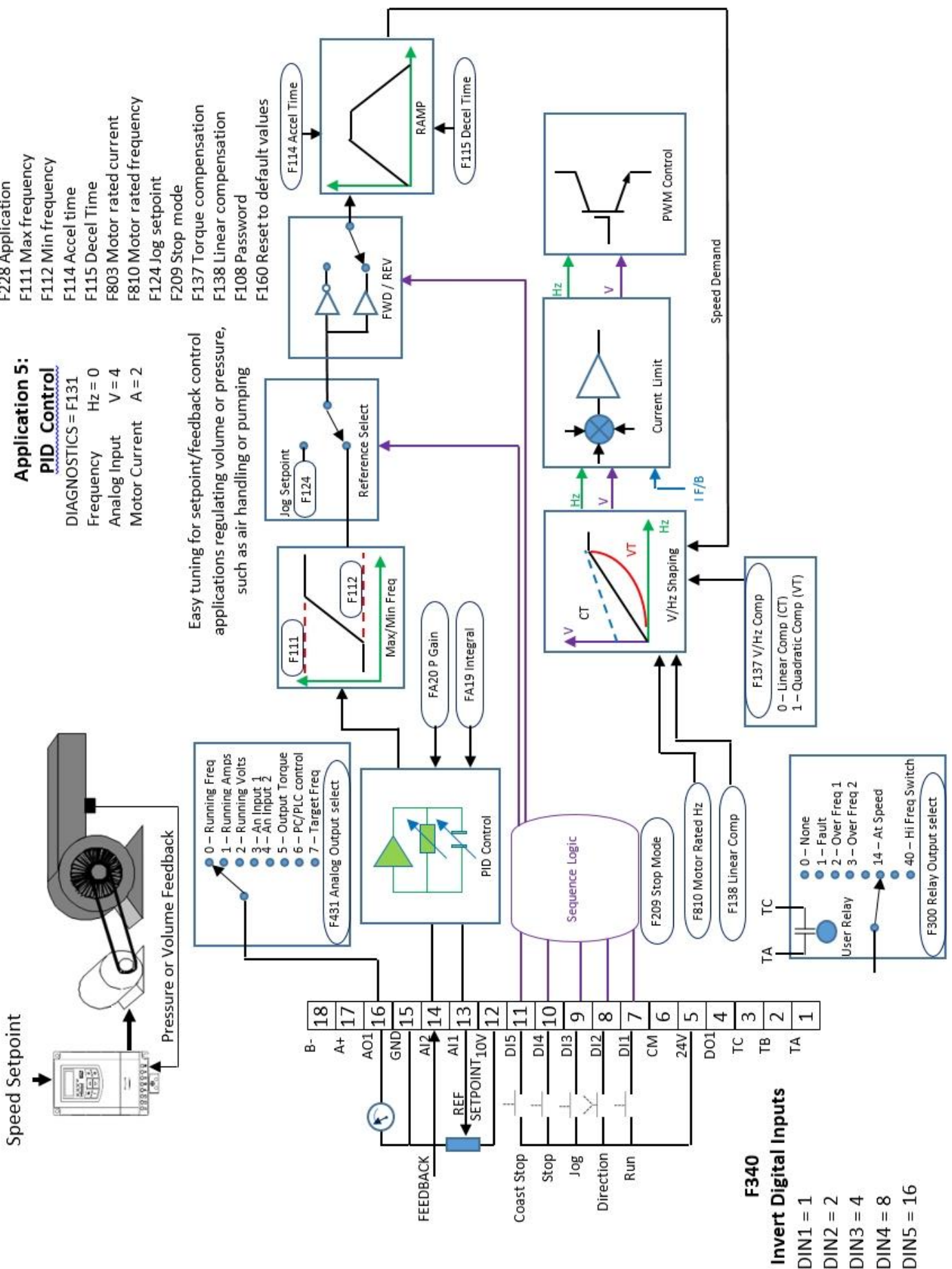
Standard parameters

- F228 Application
- F111 Max frequency
- F112 Min frequency
- F114 Accel time
- F115 Decel Time
- F803 Motor rated current
- F810 Motor rated frequency
- F124 Jog setpoint
- F209 Stop mode
- F137 Torque compensation
- F138 Linear compensation
- F108 Password
- F160 Reset to default values

Application 5:

PID Control

- DIAGNOSTICS = F131
 Frequency Hz = 0
 Analog Input V = 4
 Motor Current A = 2

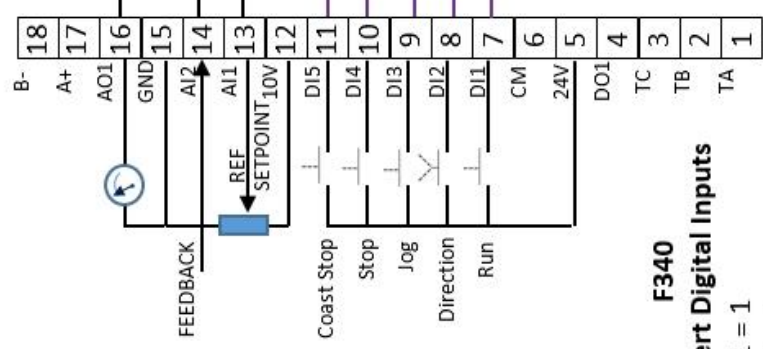
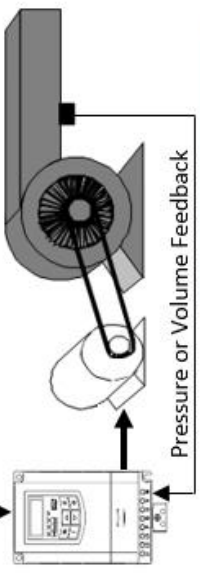


Easy tuning for setpoint/feedback control applications regulating volume or pressure, such as air handling or pumping

F340

- Invert Digital Inputs**
- DIN1 = 1
 - DIN2 = 2
 - DIN3 = 4
 - DIN4 = 8
 - DIN5 = 16

Speed Setpoint



Parker Worldwide

AE – UAE, Dubai
Tel: +971 4 8127100
parker.me@parker.com

AR – Argentina, Buenos Aires
Tel: +54 3327 44 4129

AT – Austria, Wiener Neustadt
Tel: +43 (0)2622 23501-0
parker.austria@parker.com

AT – Eastern Europe, Wiener Neustadt
Tel: +43 (0)2622 23501 900
parker.easteurope@parker.com

AU – Australia, Castle Hill
Tel: +61 (0)2-9634 7777

AZ – Azerbaijan, Baku
Tel: +994 50 2233 458
parker.azerbaijan@parker.com

BE/LU – Belgium, Nivelles
Tel: +32 (0)67 280 900
parker.belgium@parker.com

BR – Brazil, Cachoeirinha RS
Tel: +55 51 3470 9144

BY – Belarus, Minsk
Tel: +375 17 209 9399
parker.belarus@parker.com

CA – Canada, Milton, Ontario
Tel: +1 905 693 3000

CH – Switzerland, Etoy
Tel: +41 (0)21 821 87 00
parker.switzerland@parker.com

CL – Chile, Santiago
Tel: +56 2 623 1216

CN – China, Shanghai
Tel: +86 21 2899 5000

CZ – Czech Republic, Klecany
Tel: +420 284 083 111
parker.czechrepublic@parker.com

DE – Germany, Kaarst
Tel: +49 (0)2131 4016 0
parker.germany@parker.com

DK – Denmark, Ballerup
Tel: +45 43 56 04 00
parker.denmark@parker.com

ES – Spain, Madrid
Tel: +34 902 330 001
parker.spain@parker.com

FI – Finland, Vantaa
Tel: +358 (0)20 753 2500
parker.finland@parker.com

FR – France, Contamine s/Arve
Tel: +33 (0)4 50 25 80 25
parker.france@parker.com

GR – Greece, Athens
Tel: +30 210 933 6450
parker.greece@parker.com

HK – Hong Kong
Tel: +852 2428 8008

HU – Hungary, Budapest
Tel: +36 1 220 4155
parker.hungary@parker.com

IE – Ireland, Dublin
Tel: +353 (0)1 466 6370
parker.ireland@parker.com

IN – India, Mumbai
Tel: +91 22 6513 7081-85

IT – Italy, Corsico (MI)
Tel: +39 02 45 19 21
parker.italy@parker.com

JP – Japan, Tokyo
Tel: +81 (0)3 6408 3901

KR – South Korea, Seoul
Tel: +82 2 559 0400

KZ – Kazakhstan, Almaty
Tel: +7 7272 505 800
parker.easteurope@parker.com

MX – Mexico, Apodaca
Tel: +52 81 8156 6000

MY – Malaysia, Shah Alam
Tel: +60 3 7849 0800

NL – The Netherlands, Oldenzaal
Tel: +31 (0)541 585 000
parker.nl@parker.com

NO – Norway, Asker
Tel: +47 66 75 34 00
parker.norway@parker.com

NZ – New Zealand, Mt Wellington
Tel: +64 9 574 1744

PL – Poland, Warsaw
Tel: +48 (0)22 573 24 00
parker.poland@parker.com

PT – Portugal, Leca da Palmeira
Tel: +351 22 999 7360
parker.portugal@parker.com

RO – Romania, Bucharest
Tel: +40 21 252 1382
parker.romania@parker.com

RU – Russia, Moscow
Tel: +7 495 645-2156
parker.russia@parker.com

SE – Sweden, Spånga
Tel: +46 (0)8 59 79 50 00
parker.sweden@parker.com

SG – Singapore
Tel: +65 6887 6300

SK – Slovakia, Banská Bystrica
Tel: +421 484 162 252
parker.slovakia@parker.com

SL – Slovenia, Novo Mesto
Tel: +386 7 337 6650
parker.slovenia@parker.com

TH – Thailand, Bangkok
Tel: +662 717 8140

TR – Turkey, Istanbul
Tel: +90 216 4997081
parker.turkey@parker.com

TW – Taiwan, Taipei
Tel: +886 2 2298 8987

UA – Ukraine, Kiev
Tel: +380 44 494 2731
parker.ukraine@parker.com

UK – United Kingdom, Warwick
Tel: +44 (0)1926 317 878
parker.uk@parker.com

US – USA, Cleveland
Tel: +1 216 896 3000

VE – Venezuela, Caracas
Tel: +58 212 238 5422

ZA – South Africa, Kempton Park
Tel: +27 (0)11 961 0700
parker.southafrica@parker.com

European Product Information Centre
Free phone: 00 800 27 27 5374
(from AT, BE, CH, CZ, DE, EE, ES, FI, FR, IE, IL, IS, IT, LU, MT, NL, NO, PT, SE, SK, UK)

© 2012 Parker Hannifin Corporation. All rights reserved.



Parker Hannifin Manufacturing Limited
Automation Group, SSD Drives Europe,
New Courtwick Lane
Littlehampton, West Sussex BN17 7RZ
United Kingdom
Tel.: +44 (0) 1903 737000
Fax: +44 (0) 1903 737100
www.parker.com/ssd



* H A 5 0 2 3 1 9 U 0 0 1 0 5 *