

Frameless Servo Motor - K Series

Overview

Description

K Series frameless motor are the ideal solution for machine designs that require high performance at low voltages. Kit motors allow for direct integration without any mechanical transmission device, eliminating parts that add size and complexity. Use of Frameless Kit Motors results in a smaller, more reliable system.



Advantages

- Low voltage
- Compact size (length)
- Large hollow shaft
- Integrated Hall Effect sensor as an option
- Global cost reduction
- Increased reliability and reduced maintenance
- High dynamic performance and power density: increased productivity and reduced size when compared to induction motors
- Simple, light and compact machine design
- No coupling systems needed
- Greater stiffness and robustness of the system
- Low noise level
- Integration assistance available

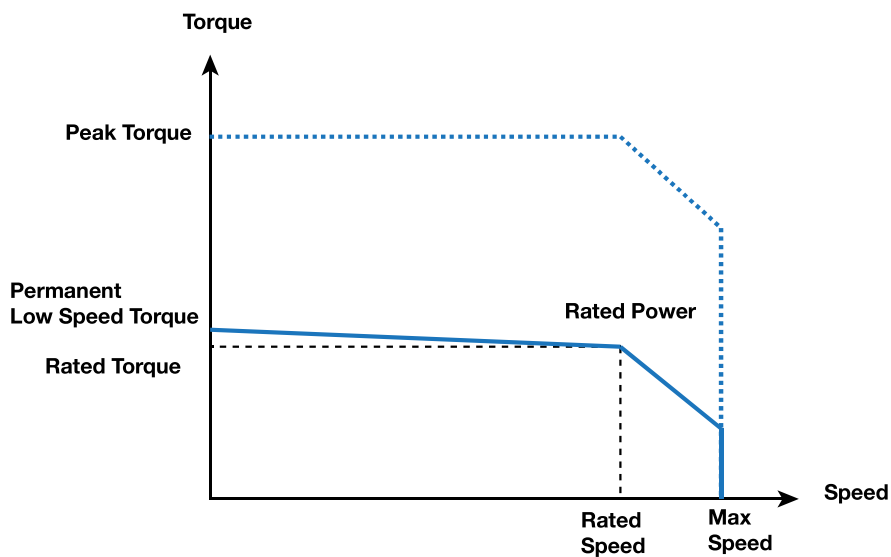
Application

- Medical
- Hand Tool
- Packaging Machinery
- Rotating Table
- Special Machines
- Pump
- Compressor

Technical Characteristics - Overview

Cooling	Natural cooling
Power	0.06...2 kW
Torque	0.07...23 Nm
Max Speed	10 000 min ⁻¹
Number of poles	4 (K32) / 6 (K44) / 8 (K64) / 12 (K89) / 18 (K178)
Diameter	32 – 44 – 64 – 89 – 178 mm
Power supply	12 - 24 – 48 – 96 VDC 240VAC only for size K178

Technical Data



Motor	Rated Power P _n	Rated Torque M _n	Rated Speed N _n	Rated Current I _n	Low speed torque M ₀	Low speed Current I ₀	Peak Torque M _{peak}	Peak Current I _{peak}	Max. Speed N _{max}	Frequency at max speed	Moment of Inertia J
	[kW]	[Nm]	[min ⁻¹]	[Arms]	[Nm]	[Arms]	[Nm]	[Arms]	[min ⁻¹]	[Hz]	[kgmm ²]
24 VDC power supply											
K032050-7Y_	0.059	0.072	7795	3.1	0.074	3.2	0.26	11.2	10000	333	0.32
K032050-8Y_	0.042	0.074	5473	2.5	0.075	2.5	0,26	8.8	8155	272	0.32
K032050-EY_	0.020	0.074	2515	1.6	0.075	1.6	0,26	5.5	5126	171	0.32
K032100-7Y_	0.049	0.12	3744	2.7	0.13	2.7	0.44	9.6	5320	177	0.63
K032100-8Y_	0.034	0.13	2572	2.1	0.13	2.2	0.45	7.6	4111	137	0.63
K032100-EY_	0.014	0.13	1071	1.3	0.13	1.4	0.45	4.7	2584	86	0.63
K032200-7Y_	0.036	0.20	1704	2.2	0.21	2.2	0,72	7.8	2649	88	1.3
K032200-8Y_	0.024	0.21	1118	1.7	0.21	1.7	0.73	6.1	2047	68	1.3
K032200-EY_	0.008	0.21	365	1.1	0.21	1.1	0.73	3.9	1287	43	1.3
K044050-7Y_	0.073	0.19	3763	4.1	0.19	4,2	0.66	14.6	5361	268	1.4
K044050-8Y_	0.053	0.19	2723	3.3	0.19	3,3	0.66	11.6	4288	214	1.4
K044050-EY_	0.023	0.19	1173	2.1	0.19	2.1	0.66	7.3	2680	134	1.4
K044100-7Y_	0.061	0.33	1771	3.6	0.33	3.6	1.16	12.6	2657	133	2.9
K044100-8Y_	0.043	0.33	1250	2.8	0.33	2.9	1.15	10.1	2126	106	2.9
K044100-EY_	0.016	0.33	474	1.8	0.33	1.8	1.16	6.3	1329	66	2.9
K044200-7Y_	0.045	0.53	804	2.9	0.54	2.9	1.88	10.3	1334	67	5.8
K044200-8Y_	0.030	0.53	539	2.3	0.53	2.3	1.87	8.2	1068	53	5.8
K044200-EY_	0.008	0.54	145	1.5	0.54	1.5	1.88	5.1	667	33	5.8

Technical Data

Motor	Rated Power P _n	Rated Torque M _n	Rated Speed N _n	Rated Current I _n	Low speed torque M _o	Low speed Current I _o	Peak Torque M _{peak}	Peak Current I _{peak}	Max. Speed N _{max}	Frequency at max speed	Moment of Inertia J
	[kW]	[Nm]	[min ⁻¹]	[Arms]	[Nm]	[Arms]	[Nm]	[Arms]	[min ⁻¹]	[Hz]	[kgmm ²]
24 VDC power supply											
K064050-8Y_	0.058	0.53	1053	4.0	0.53	4.0	1.86	14.0	1830	122	9
K064050-9Y_	0.039	0.53	700	3.2	0.53	3.2	1.85	11.1	1464	98	9
K064050-EY_	0.022	0.53	396	2.5	0.53	2.5	1.87	8.8	1144	76	9
K064100-8Y_	0.047	0.93	484	3.5	0.94	3.5	3.29	12.3	915	61	18
K064100-9Y_	0.030	0.93	305	2.8	0.93	2.8	3.28	9.8	732	49	18
K064100-EY_	0.015	0.94	152	2.2	0.94	2.2	3.30	7.7	572	38	18
K064200-8Y_	0.033	1.56	204	2.9	1.57	2.9	5.50	10.3	457	30	36
K064200-9Y_	0.018	1.56	113	2.3	1.56	2.3	5.47	8.2	366	24	36
K064200-EY_	0.006	1.57	36	1.8	1.57	1.8	5.51	6.5	286	19	36
K089050-6Y_	0.117	1.33	839	7.5	1.34	7.6	4.72	26.6	1373	137	37
K089050-7Y_	0.082	1.32	597	6.0	1.33	6.1	4.66	21.3	1115	112	37
K089050-9Y_	0.030	1.31	216	3.8	1.32	3.9	4.62	13.5	714	71	37
K089100-6Y_	0.098	2.35	396	6.6	2.37	6.7	8.32	23.4	686	69	78
K089100-7Y_	0.066	2.33	272	5.3	2.34	5.4	8.22	18.8	558	56	78
K089100-9Y_	0.019	2.32	77	3.4	2.32	3.4	8.15	11.9	357	36	78
K089200-4Y_	0.153	3.9	379	8.8	3.9	8.9	13.7	31.3	558	56	150
K089200-7Y_	0.045	3.9	111	4.4	3.9	4.5	13.7	15.6	279	28	150
K089200-9Y_	0.004	3.9	11	2.8	3.9	2.8	13.6	9.9	178	18	150
K178050-6Y_	0.217	7.0	297	13.9	7.0	14.0	26.8	53.3	486	73	470
K178050-8Y_	0.100	7.0	137	8.8	7.0	8.8	26.7	33.6	307	46	470
K178050-EY_	0.024	7.0	33	5.6	7.0	5.6	26.6	21.2	194	29	470
K178100-8Y_	0.077	13.6	54	8.6	13.7	8.6	48.0	30.2	153	23	920
K178100-9Y_	0.035	13.7	24	6.8	13.7	6.8	48.0	23.9	121	18	920
K178200-8Y_	0.047	23.2	19	7.3	23.2	7.3	81.5	25.7	77	12	1800
K178200-9Y_	0.009	23.2	4	5.8	23.2	5.8	81.6	20.3	61	9	1800
240 VAC power supply											
K178050-6Y_	1.43	4.6	3000	9.1	7.0	14.0	26.8	53.3	3000	450	470
K178050-8Y_	1.43	4.6	3000	5.7	7.0	8.8	26.7	33.6	3000	450	470
K178050-EY_	1.39	5.4	2477	4.3	7.0	5.6	26.6	21.2	2818	423	470
K178100-8Y_	2.05	9.8	2006	6.1	13.7	8.6	48.0	30.2	2225	334	920
K178100-9Y_	1.82	11.3	1531	5.7	13.7	6.8	48.0	23.9	1761	264	920
K178100-EY_	1.51	12.1	1192	4.8	13.6	5.4	47.8	19.1	1409	211	920
K178200-8Y_	2.00	19.2	994	6.1	23.2	7.3	81.5	25.7	1112	167	1800
K178200-9Y_	1.66	20.6	768	5.1	23.2	5.8	81.6	20.3	881	132	1800
K178200-EY_	1.34	21.3	601	4.3	23.1	4.6	81.3	16.2	705	106	1800

Other power voltages are possible – see technical manual or consult us

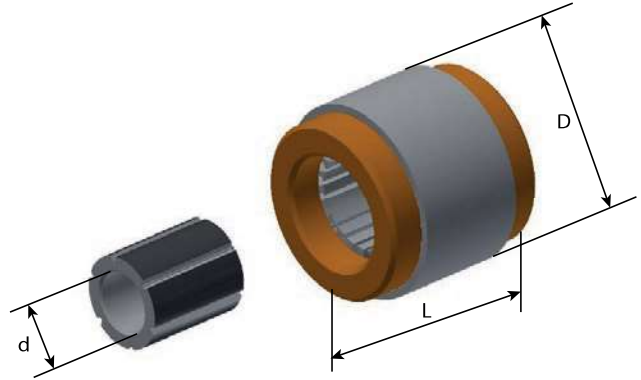
Associated Drives

Up to 80 VDC bus voltage			
Motor	VIX	Motor	VIX
	Low voltage servo drive		Low voltage servo drive
K032050-7Y_	VIX 500 IE	K064050-8Y_	VIX 500 IE
K032050-8Y_	VIX 500 IE	K064050-9Y_	VIX 500 IE
K032050-EY_	VIX 250 IE	K064050-EY_	VIX 500 IE
K032100-7Y_	VIX 500 IE	K064100-8Y_	VIX 500 IE
K032100-8Y_	VIX 250 IE	K064100-9Y_	VIX 500 IE
K032100-EY_	VIX 250 IE	K064100-EY_	VIX 250 IE
K032200-7Y_	VIX 250 IE	K064200-8Y_	VIX 500 IE
K032200-8Y_	VIX 250 IE	K064200-9Y_	VIX 250 IE
K032200-EY_	VIX 250 IE	K064200-EY_	VIX 250 IE
K044050-7Y_	VIX 500 IE	K089050-6Y_	-
K044050-8Y_	VIX 500 IE	K089050-7Y_	-
K044050-EY_	VIX 250 IE	K089050-9Y_	VIX 500 IE
K044100-7Y_	VIX 500 IE	K089100-6Y_	-
K044100-8Y_	VIX 500 IE	K089100-7Y_	-
K044100-EY_	VIX 250 IE	K089100-9Y_	VIX 500 IE
K044200-7Y_	VIX 500 IE	K089200-4Y_	-

230 VAC power supply - single or three-phased		
Motor	Compax3	AC890
K178050-6Y_	C3S150V2...	890SD-232240C...
K178050-8Y_	C3S100V2...	890SD-232165B...
K178050-EY_	C3S100V2...	890SD-232110B...
K178100-8Y_	C3S100V2...	890SD-232165B...
K178100-9Y_	C3S100V2...	890SD-232110B...
K178100-EY_	C3S063V2...	890SD-232110B...
K178200-8Y_	C3S100V2...	890SD-232110B...
K178200-9Y_	C3S063V2...	890SD-232110B...
K178200-EY_	C3S063V2...	890SD-232110B...

Dimensions

Motor	Dimensions [mm]		
	D	d	L
K032050	31.76	7.62	25.9
K032100			38.6
K032200			64.0
K044050	44.45	13.96	29.15
K044100			41.85
K044200			67.25
K064050	63.5	23.51	32.4
K064100			45.1
K064200			70.5
K089050	88.9	40.63	33.0
K089100			45.7
K089200			71.1
K178050	177.8	95.74	53.95
K178100			66.65
K178200			92.05



Order Code

K Series

	1	2	3	4	5	6		7
Order example	K	32	50	E	Y	1	-	CE

1 Motor Series	K
2 Motor Size	32 see table "Technical Data"
	44
	...
3 Motor Stack Length	50 0.50 in
	100 1.00 in
	200 2.00 in

4 Winding	7
	8 see table "Technical Data"
	...
5 Connection	Y Star connection
6 Commutation - Hall effect sensor	1 Without Hall effect sensor
	2 With Hall effect sensor
7 Certification	CE CE Conformity